

MATERIALS AND FINISHES ;

BODY BRASS  
PLATED GOLD

CENTER CONTACT BERYLLIUM COPPER  
PLATED GOLD

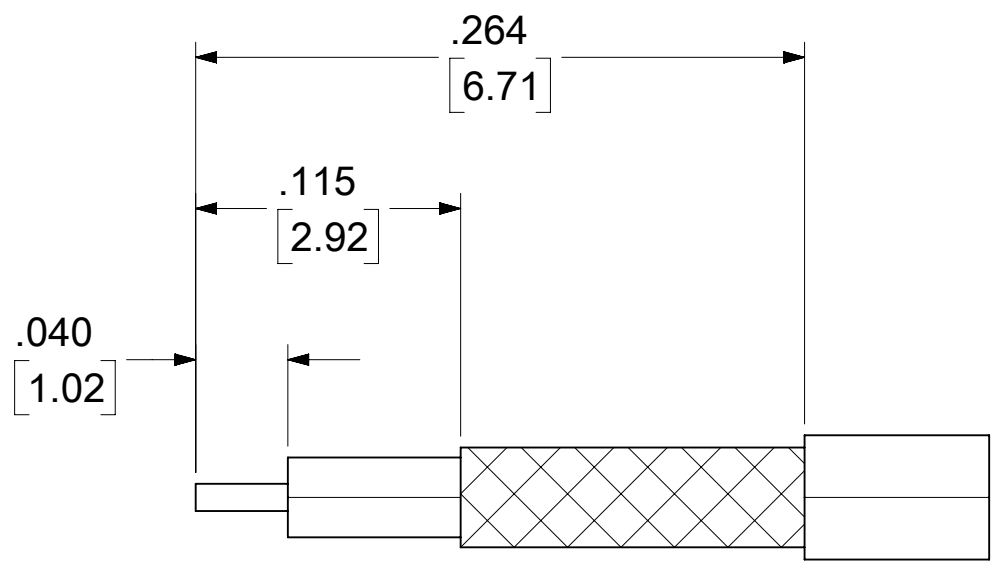
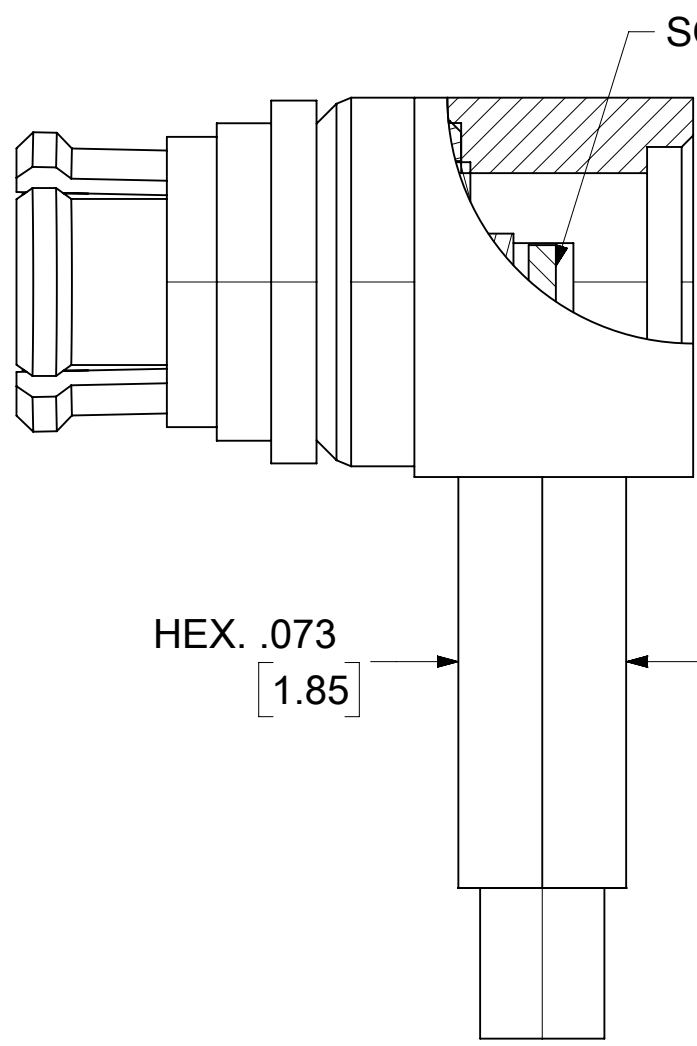
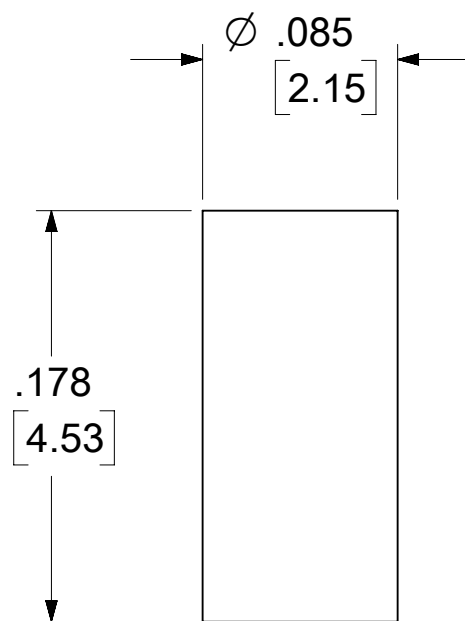
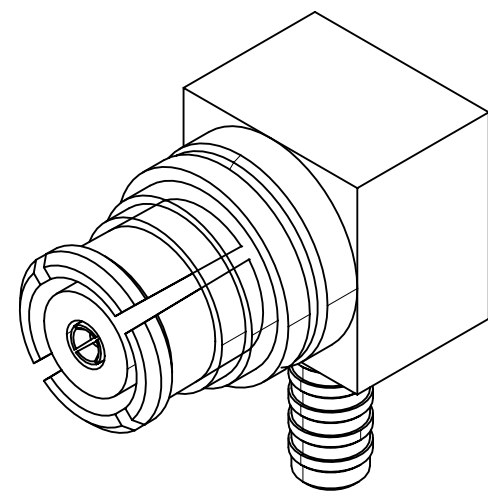
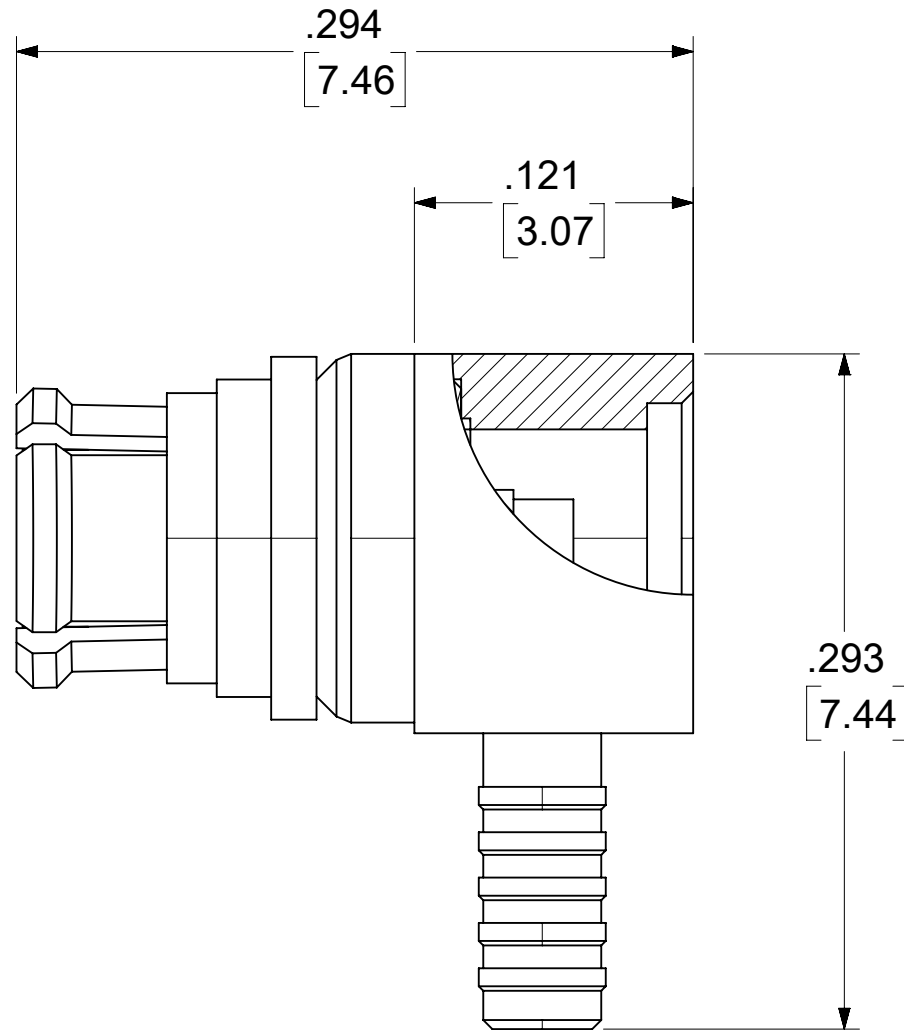
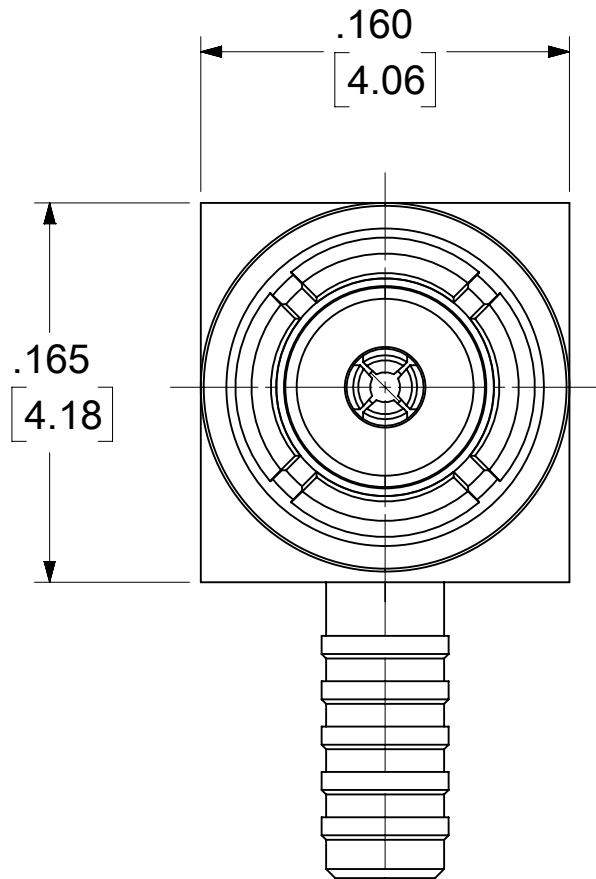
INSULATOR TEFLON

CAP BRASS  
PLATED GOLD

EMI RING BRASS  
PLATED GOLD

OUTER CONTACT BERYLLIUM COPPER  
PLATED GOLD

CRIMP TUBE BRASS  
PLATED GOLD



RECOMMENDED CABLE STRIP DIMENSIONS

LABEL FORMAT FOR  
73406-0171

PART NUMBER: 73406-0170  
ORDER NUMBER: 73406-0171  
MOLEX  
DATE: YYWW

73406-0171	73406-0170 ONE PER BAG	895420470
73406-0170	73406-0170 TRAY	895420040
PART NO.	DESCRIPTION	PACKING SPEC

MIL-STD-348A, FIG. 326.1	INTERFACE
SPECIFICATION	DESCRIPTION

FUNCTIONAL SYMBOLS	THIS DRAWING CONTAINS INFORMATION THAT IS PROPRIETARY TO MOLEX ELECTRONIC TECHNOLOGIES, LLC AND SHOULD NOT BE USED WITHOUT WRITTEN PERMISSION		CURRENT REV DESC: ADD 73406-0171 PER EWR# 15321-C	
FA = 0	DIMENSION UNITS	SCALE	EC NO: 718723	
EA = 0	INCH/MM	NTS	DRWN: ELIN	2022/08/19
EP = 0	GENERAL TOLERANCES (UNLESS SPECIFIED)		CHK'D: YCHENG	2022/08/30
	ANGULAR TOL ± 2.0°		APPR: YCHENG	2022/08/30
	4 PLACES ±		INITIAL REVISION:	
	3 PLACES ±		DRWN: RYEH	2010/10/04
	2 PLACES ±		APPR: MHUANG	2010/10/23
	1 PLACE ±		THIRD ANGLE PROJECTION	
	0 PLACES ±		DRAWING	SERIES
	DRAFT WHERE APPLICABLE MUST REMAIN WITHIN DIMENSIONS		C-SIZE	73406
DOCUMENT STATUS		P1	RELEASE DATE	2022/08/30 02:55:03



SMP JACK R/A  
FOR 1.13 CABLE 50 OHMS SMP-J/1.13

PRODUCT CUSTOMER DRAWING

DOCUMENT NUMBER	DOC TYPE	DOC PART	REVISION
SD-73406-017	PSD	001	B1

MATERIAL NUMBER	CUSTOMER	SHEET NUMBER
SEE TABLE	GENERAL MARKET	1 OF 1