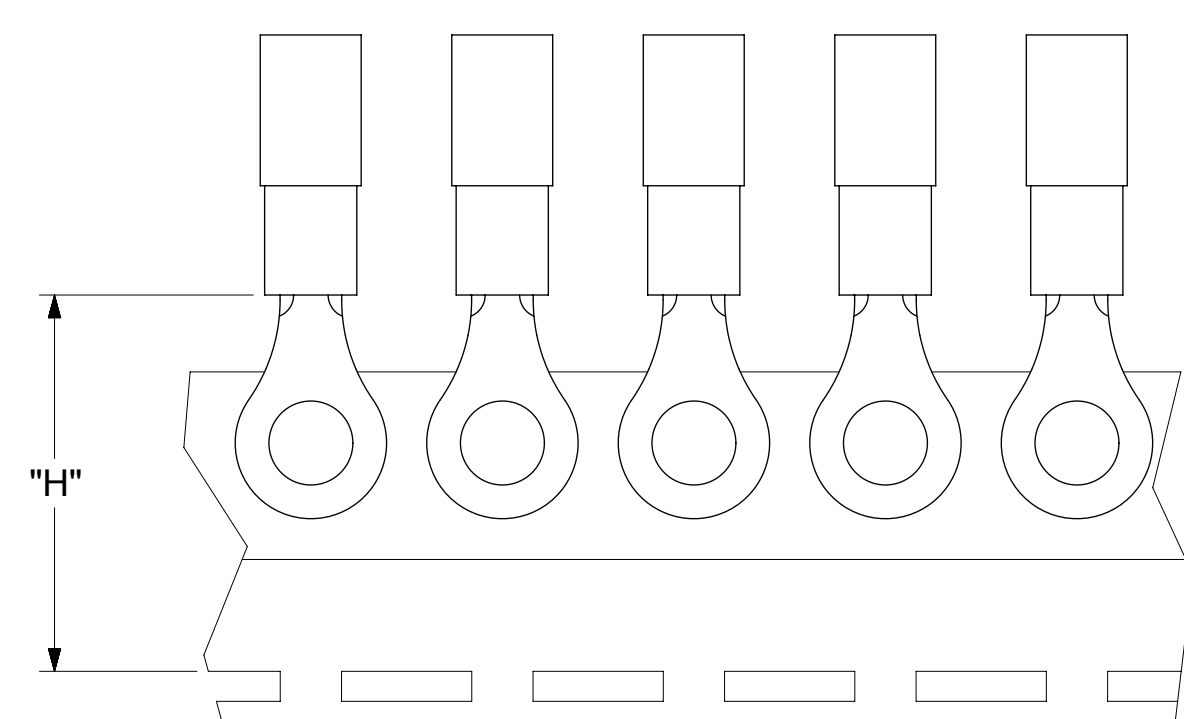
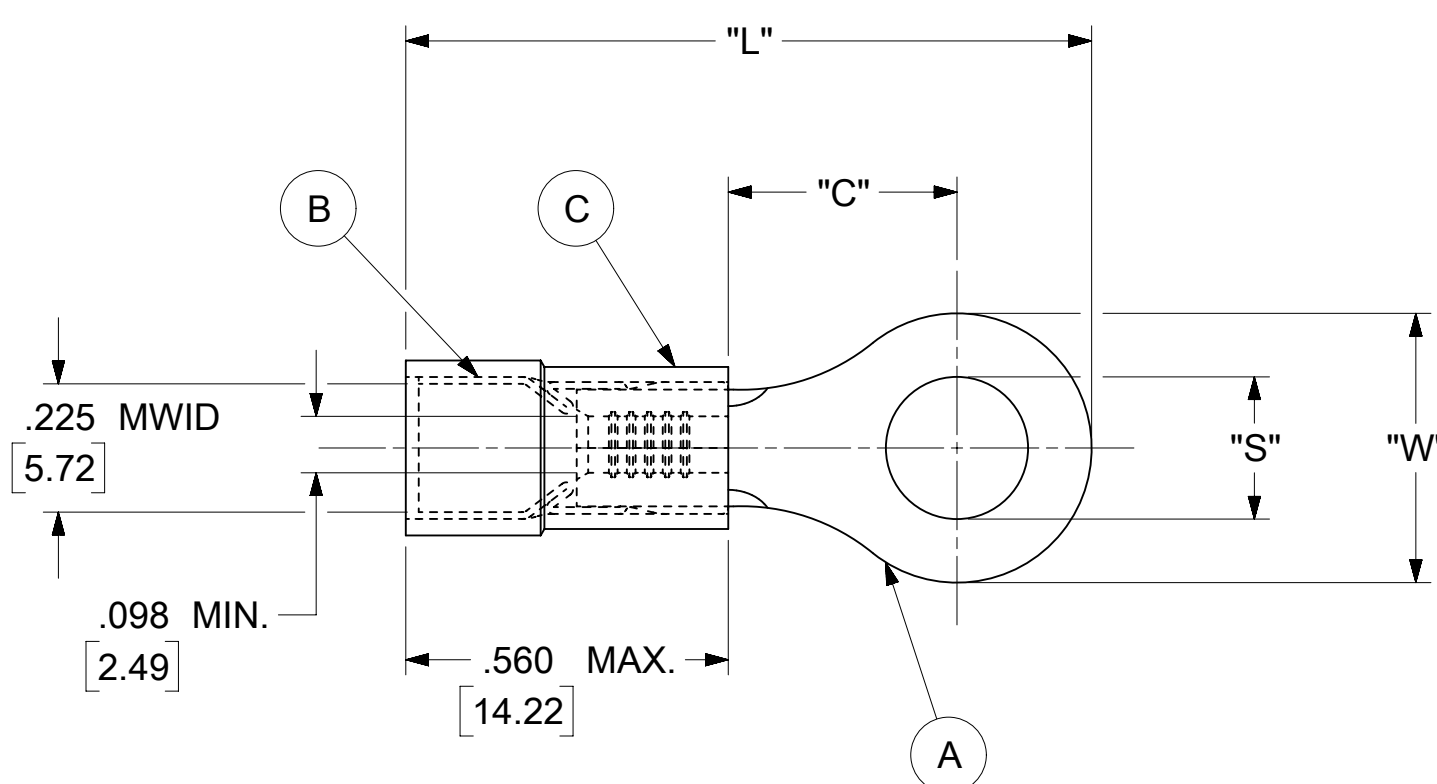


LOOSE PIECE		TAPE MOUNTED		SPECIFICATIONS						
MATERIAL NUMBER	ENGINEERING NUMBER	MATERIAL NUMBER	ENGINEERING NUMBER	STUD SIZE	"S" ±.005 [0.13]	"W" ±.010 [0.25]	"C" MIN.	"L" MAX.	"H"	STOCK ±.001 [0.025] THICKNESS
190580016	B-801-12HD	---	---	12	.515 [13.08]	.750 [19.05]	.611 [15.52]	1.586 [40.28]	---	.050 [1.27]
---	---	---	---	14	.265 [6.73]					
---	---	---	---	38	.390 [9.91]					
---	---	---	---	56	.328 [8.33]					
190580026	B-801-76HD	---	---	76	.453 [11.51]	.375 [9.53]	.303 [7.70]	1.091 [27.71]	.980 [24.89]	.050 [1.27]
190580037	B-828-06HD	---	---	6	.146 [3.71]					
190580041	B-828-08HD	---	---	8	.173 [4.39]					
190580047	B-828-10HD	190580050	B-828-10HDT	10	.198 [5.03]					
190580055	B-830-10HD	---	---	10	.198 [5.03]	.530 [13.46]	.393 [9.98]	1.258 [31.95]	.980 [24.89]	.050 [1.27]
190580063	B-830-14HD	190580068	B-830-14HDT	14	.265 [6.73]					
190580072	B-830-56HD	190580077	B-830-56HDT	56	.328 [8.33]					
---	---	---	---	4	.119 [3.02]					
---	---	---	---	6	.146 [3.71]	.282 [7.16]	.306 [7.77]	1.047 [26.59]	.980 [24.89]	.050 [1.27]
---	---	---	---	8	.173 [4.39]					
---	---	---	---	10	.198 [5.03]					
190580112	B-840-14HD	---	---	14	.265 [6.73]					
190580117	B-840-38HD	190580119	B-840-38HDT	38	.390 [9.91]	.592 [15.04]	.466 [11.84]	1.362 [34.59]	1.172 [29.77]	.050 [1.27]
190580123	B-840-56HD	---	---	56	.328 [8.33]					



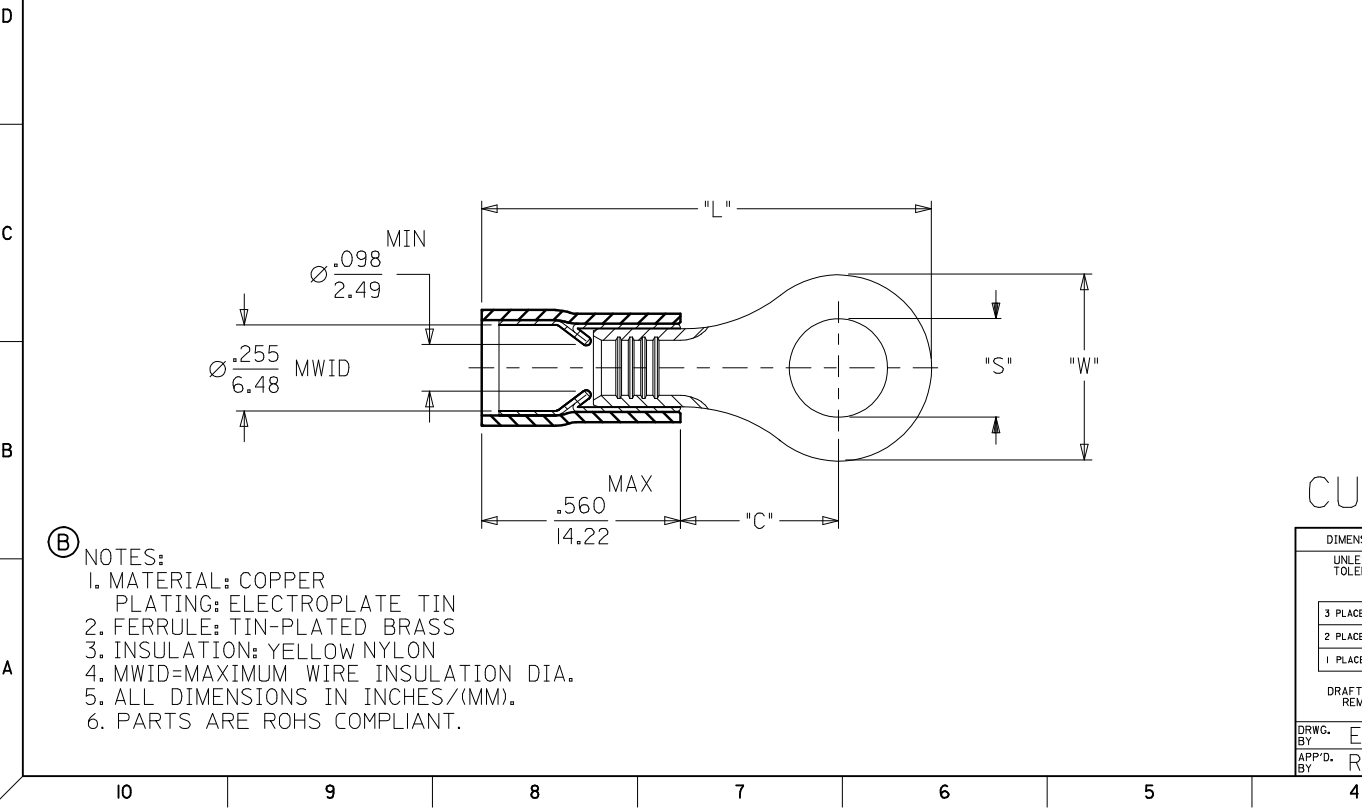
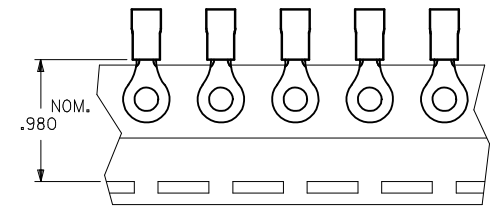
PARTS ON TAPE

- NOTES:
- MATERIAL:
    - (A). RING TONGUE TERMINAL: COPPER PLATING: ELECTRO-TIN (.0003 MIN.)
    - (B). TIN-PLATED BRASS FUNNEL FERRULE
    - (C). INSULATION: NYLON (YELLOW)
  - MWID: MAXIMUM WIRE INSULATION DIAMETER
  - WIRE SIZE: 16 -14 AWG  
1.0 -2.5 MM<sup>2</sup>
  - "UL" LISTING #E32244  
"CSA" LISTING #18689
  - ALL DIMENSIONS IN INCHES/[MM].
  - PARTS ARE ROHS COMPLIANT.
  - DIMS. SHOWN ARE FOR REFERENCE ONLY.

THIS DRAWING CONTAINS INFORMATION THAT IS PROPRIETARY TO MOLEX ELECTRONIC TECHNOLOGIES, LLC AND SHOULD NOT BE USED WITHOUT WRITTEN PERMISSION									
SYMBOLS		DIMENSION UNITS		SCALE		CURRENT REV DESC: MIGRATION TO ECTR/NX			
▽ = 0	INCH/MM	NTS		EC NO: 619818 DRWN: ABENJAMINLW 2019/06/18 CHK'D: GROJAS01 2019/06/27 APPR: JMACNEIL 2019/07/10 INITIAL REVISION: DRWN: JJ 1984/11/29 APPR: JMACNEIL 2019/07/10					
▽ = 0	GENERAL TOLERANCES (UNLESS SPECIFIED)								
▽ = 0	MM	INCH							
▽ = 0	4 PLACES ±	±							
▽ = 0	3 PLACES ±	± 0.005							
▽ = 0	2 PLACES ±	± 0.13 ± 0.01							
▽ = 0	1 PLACE ±	± 0.25 ±							
▽ = 0	0 PLACES ±	±							
▽ = 0	ANGULAR TOL	± 0.5 °							
▽ = 0	DRAFT WHERE APPLICABLE MUST REMAIN WITHIN DIMENSIONS		THIRD ANGLE PROJECTION		DRAWING		SERIES		
▽ = 0			C-SIZE		19058				

<b>molex</b>		
RING TONGUE HEAVY DUTY TERMINAL AVIKRIMP 800-SERIES		
PRODUCT CUSTOMER DRAWING		
DOCUMENT NUMBER	DOC TYPE	DOC PART
190580016	PSD	000
REVISION		A
MATERIAL NUMBER	CUSTOMER	SHEET NUMBER
SEE TABLE	GENERAL MARKET	1 OF 1

	10	9	8	7	6	5	4	3	2	1
	MATERIAL NUMBER	ALTERNATE NUMBER	STUD SIZE	"S"	"W" MAX	"C" MIN	"L" MAX	PACKAGING		
F	190580021	B-801-14HDX	1/4	.265 (6.73)	.760 (19.30)	.641 (16.28)	1.581 (40.15)	LOOSE PIECE		
	190580025	B-801-56HDX	5/16	.328 (8.33)	.760 (19.30)	.641 (16.28)	1.581 (40.15)			
	190580023	B-801-38HDX	3/8	.390 (9.91)	.760 (19.30)	.641 (16.28)	1.581 (40.15)			
	190580027	B-801-76HDX	7/16	.453 (11.51)	.760 (19.30)	.641 (16.28)	1.581 (40.15)			
	190580018	B-801-12HDX	1/2	.515 (13.08)	.760 (19.30)	.641 (16.28)	1.581 (40.15)			
	190580035	B-828-04HDX	4	.123 (3.12)	.385 (9.78)	.423 (10.74)	1.086 (27.58)	TAPE MOUNTED		
	190580039	B-828-06HDX	6	.146 (3.70)	.385 (9.78)	.423 (10.74)	1.086 (27.58)			
	190580045	B-828-08HDX	8	.173 (4.39)	.385 (9.78)	.423 (10.74)	1.086 (27.58)			
E	190580051	B-828-10HDX	10	.198 (5.03)	.385 (9.78)	.423 (10.74)	1.086 (27.58)			
	190580054	B-828-209HDX	209	.209 (5.31)	.385 (9.78)	.423 (10.74)	1.086 (27.58)			
	190580019	B-801-12HDX	1/2	.515 (13.08)	.760 (19.30)	.641 (16.28)	1.581 (40.15)			
	190580036	B-828-04HDX	4	.123 (3.12)	.385 (9.78)	.423 (10.74)	1.086 (27.58)			
	190580040	B-828-06HDX	6	.146 (3.70)	.385 (9.78)	.423 (10.74)	1.086 (27.58)			
	190580046	B-828-08HDX	8	.173 (4.39)	.385 (9.78)	.423 (10.74)	1.086 (27.58)			
	190580053	B-828-10HDX	10	.198 (5.03)	.385 (9.78)	.423 (10.74)	1.086 (27.58)			



- ⓑ NOTES:
1. MATERIAL: COPPER  
PLATING: ELECTROPLATE TIN
  2. FERRULE: TIN-PLATED BRASS
  3. INSULATION: YELLOW NYLON
  4. MWID=MAXIMUM WIRE INSULATION DIA.
  5. ALL DIMENSIONS IN INCHES/(MM).
  6. PARTS ARE ROHS COMPLIANT.

B	CHANGED NYLON FROM BLUE TO YELLOW IPG2014-2101 2014/06/10 GR
A	NEW CUST. DWG. ETC2001-0196 2000/11/17 EDB
LTR.	REVISIONS

CUSTOMER DRAWING

DIMENSIONS SHOWN (METRIC) INCH		REVISE ONLY ON CAD SYSTEM	
UNLESS OTHERWISE SPECIFIED TOLERANCES: ANGULAR ± 1/2°		TITLE AVIKRIMP EXPANDED RING TONGUE TERMINAL HEAVY DUTY 16-14 AWG	
3 PLACE ± .005 ± ---	INCH METRIC	molex ETC INC. SHEET NO. DATE PINELLAS PARK, FLA. 33781 U.S.A. 1 OF 1 00/09/29	
2 PLACE ± .01 ± 0.13		PART NO. DRWG. NO. SEE TABLE SD-19058-002	
1 PLACE ± --- ± 0.25		FILE NAME THIS DRAWING CONTAINS INFORMATION THAT IS PROPRIETARY TO MOLEX-ETC INC. AND SHOULD NOT BE USED WITHOUT WRITTEN PERMISSION. DIV. SIZE SD19058002 DGN ET B	
DRWG. BY EDB	CHK'D. BY RWD		
APP'D. BY RWD	SCALE NO=NE		