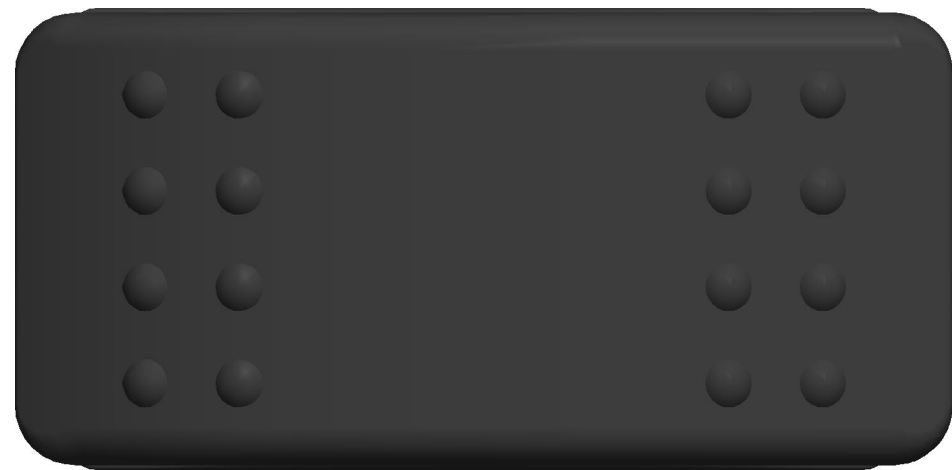
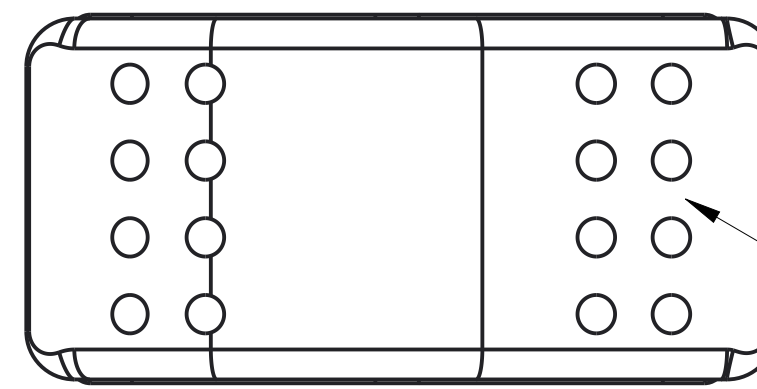


DRAWING FILE NO. VE12S00B-AZC00-000		REV 03-31-22
REVISIONS		
DATE	DESCRIPTION	
03-31-22	DRAWING CREATED	



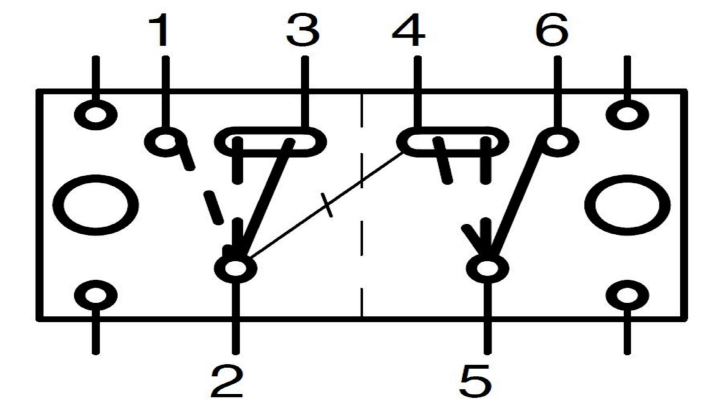
LEGEND MODEL

TOP END OF SWITCH

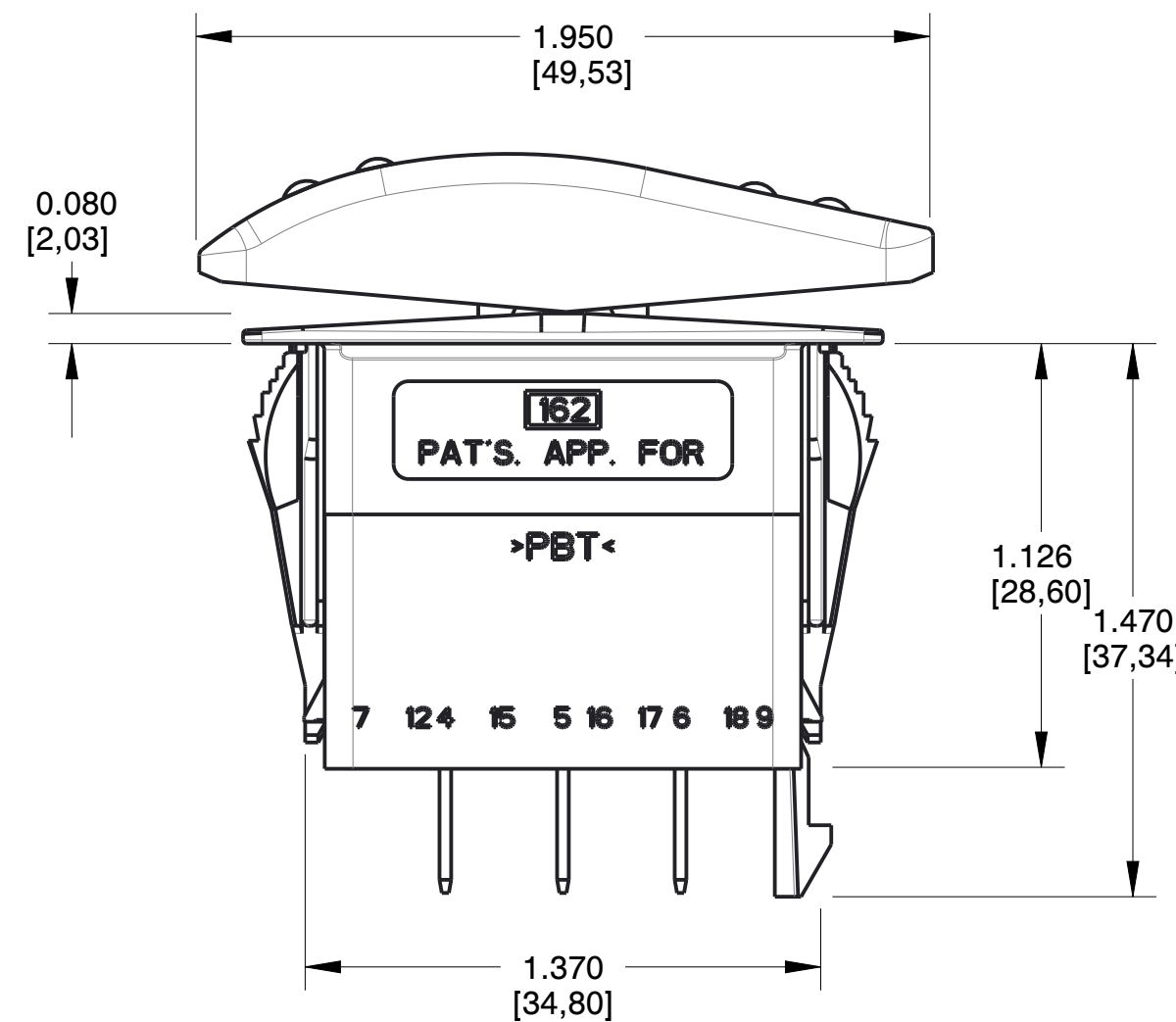
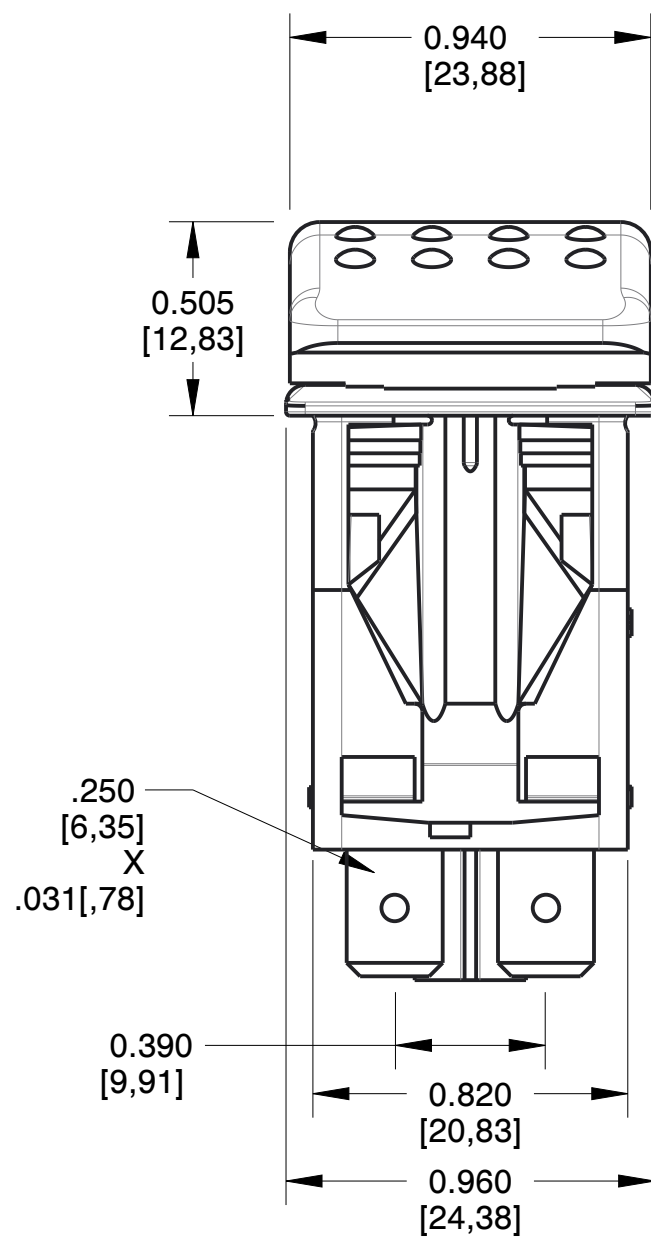


POS 1 POS 2 POS 3

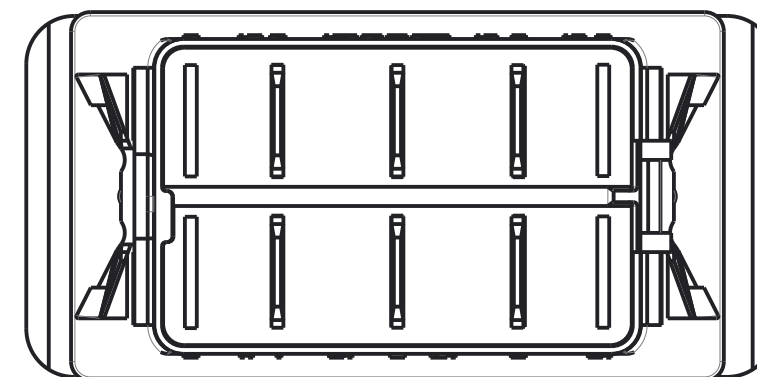
HARD SURFACE \*



CIRCUIT DIAGRAM



LAMP CIRCUIT DIAGRAM



**Carling Technologies**  
Innovative Designs. Powerful Solutions.  
60 JOHNSON AVE  
PLAINVILLE, CT 06062, USA  
PHONE: (860) 793-9281  
SALES: SALES@CARLINGTECH.COM  
APPLICATION SUPPORT: TEAM2@CARLINGTECH.COM

V-SERIES  
SEALED ROCKER SWITCH

DO NOT SCALE DRAWING  
UNLESS OTHERWISE SPECIFIED  
DIMENSIONS: IN [MM]  
TOLERANCES: ± .020 [0.51]

DRAWING FILE NO. VE12S00B-AZC00-000 SIZE C  
PRODUCT SERIES: V-Ser. Switch SHEET 1 OF 1

PROPRIETARY NOTICE  
NOTICE TO ALL PERSONS RECEIVING THIS DRAWING: THIS DOCUMENT IS THE PROPERTY OF CARLING TECHNOLOGIES, INC. AND IS NOT TO BE DISCLOSED, REPRODUCED IN WHOLE OR IN PART OR USED FOR MANUFACTURING PURPOSES BY ANYONE WITHOUT THE CONSENT OF CARLING TECHNOLOGIES, INC.

DISCLAIMER  
MANUFACTURER RESERVES THE RIGHT TO CHANGE PRODUCT SPECIFICATIONS WITHOUT PRIOR NOTICE.

**\*Hard Surface:**  
Basic actuator structure molded of thermoplastic polycarbonate with a hard Nylon 66 thermoplastic surface overlay.