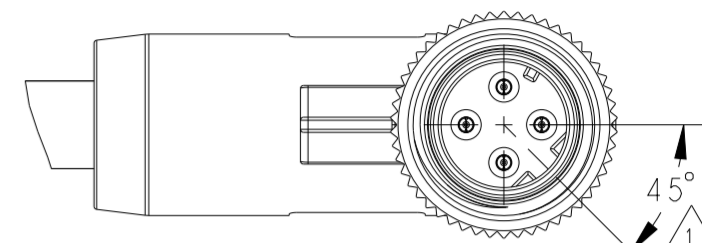
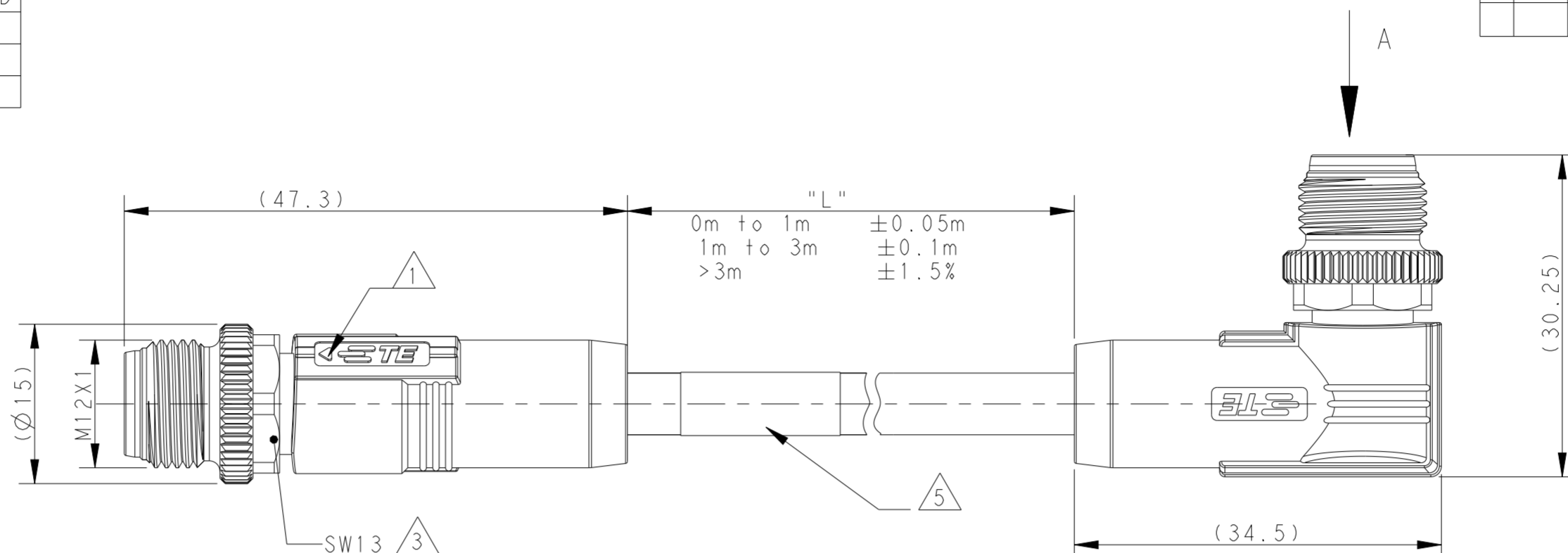
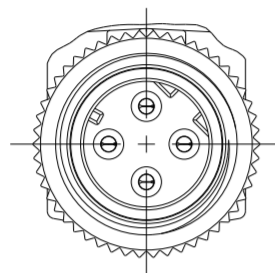
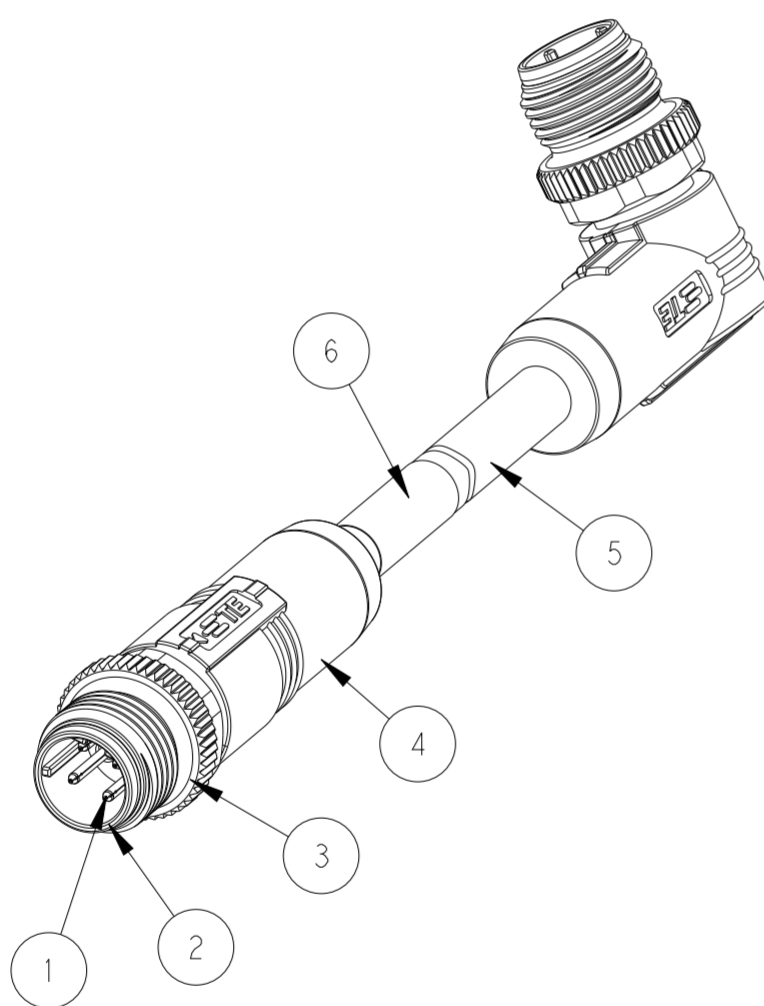


THIS DRAWING IS UNPUBLISHED.		RELEASED FOR PUBLICATION	
© COPYRIGHT 20 BY -		ALL RIGHTS RESERVED.	
ITEM	DESCRIPTION	MATERIAL	OTHERS
1	MALE CONTACT	COPPER ALLOY	GOLD PLATED
2	HOUSING	NYLON	BLACK
3	COUPLING NUT	COPPER ALLOY	NICKEL PLATED
4	OVER-MOLDING	TPU	BLACK
5	CABLE	TPE	TEAL
6	LABEL	-	-

REVISIONS				
P	LTR	DESCRIPTION	DATE	APVD
	A	INITIAL RELEASE	10MAR2021	AZ CW



VIEW FROM DIRECTION A



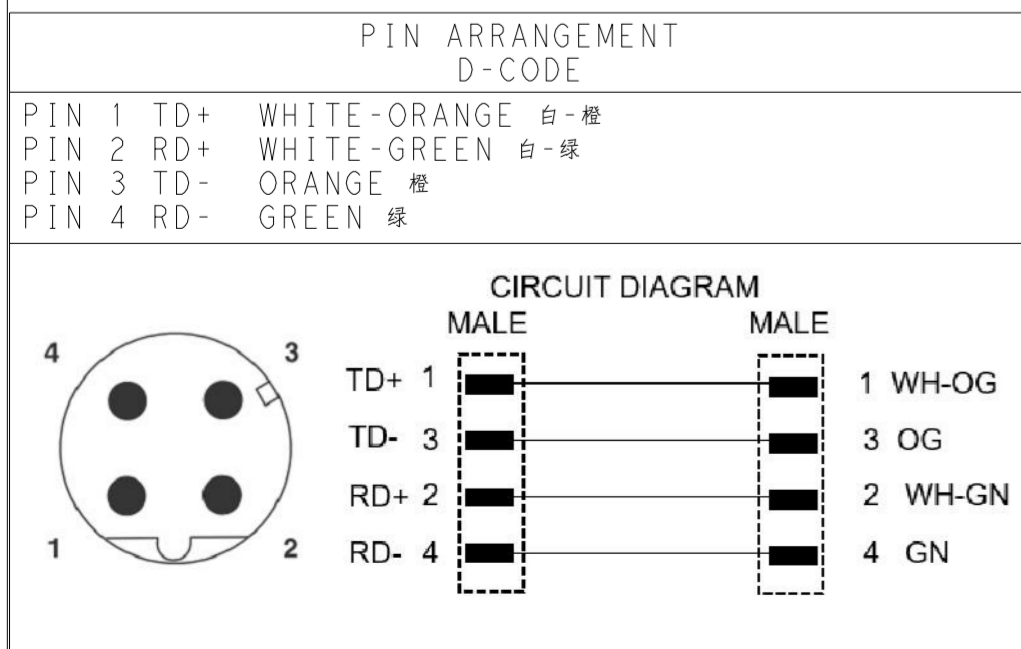
NOTE:

- 1 CODE POSITION INDICATOR
- 2 RECOMMENDED TORQUE 0.6 Nm
- 3 -\*\* : CABLE LENGTH, FOR EXAMPLE: -0.5M
- 4. CABLE ASSEMBLY TO BE PACKAGED IN POLYBAGS
- 5 LABEL CONTAINS: PN, DATE CODE...
- 6 -XXX: FOR CABLE LENGTH, REFER TO LENGTH "L"

注释:

- 1 CODE位置指示
- 2 推荐扭矩0.6 Nm
- 3 -\*\* : 线缆长度, 例如: -0.5M
- 4. 线缆组件塑料袋包装
- 5 标签包含: 产品编号, 日期代码...
- 6 -XXX: 线缆长度, 参照长度"L"

WIRES: 2X2X24AWG WIRE COLOR: GREEN X WHITE/GREEN ORANGE X WHITE/ORANGE OD: APPROX. 6.1MM TEMPERATURE RATING: 80°C UL OPERATING TEMP RATING: -40°C To +80°C C-TRACK: 35 MILLION CYCLE, 4" RADIUS TORSION: 3 MILLION CYCLE (+/-270°)	TYPICAL LENGTH: -001: 0.5M -002: 1.0M -020: 2.0M -005: 5.0M -007: 10.0M -150: 15.0M -200: 20.0M -250: 25.0M -300: 30.0M	TEAL	TPE	M12D4-MS-MR-TPE USH-*** <sup>3</sup>	4	TAD2483A201-XXX <sup>6</sup>
CUSTOMIZATION RULES: -003: 1.5M -004: 3.0M -006: 7.0M -99X: 0.XM (<1.0M) (-993: 0.3M) -XXX: XX.XM (>1.0M) (-155: 15.5M)	LENGTH "L"	JACKET COLOR	JACKET MATERIAL	TYPE	POS.	TE PN



THIS DRAWING IS A CONTROLLED DOCUMENT.		DWN ALEX ZHANG 14 JAN 2021	TE Connectivity	
DIMENSIONS: mm		CHK HART HE 14 JAN 2021		
TOLERANCES UNLESS OTHERWISE SPECIFIED:		APVD CHRIS WANG 14 JAN 2021	NAME M12 D CODE CABLE ASSY, UNSHIELDED 4P, MS TO MR	
0 PLC ± 1 PLC ± 2 PLC ± 3 PLC ± 4 PLC ± ANGLES ±		PRODUCT SPEC 108-106140	SIZE A2	
MATERIAL		APPLICATION SPEC 114-137144	DRAWING NO C-TAD2483A201XXX	
FINISH		WEIGHT	RESTRICTED TO	
		CUSTOMER DRAWING	SCALE 2:1 SHEET 1 OF 2 REV A	

4

3

2

1

THIS DRAWING IS UNPUBLISHED.	RELEASED FOR PUBLICATION	20
© COPYRIGHT 20	BY -	ALL RIGHTS RESERVED.

REVISIONS				
P	LTR	DESCRIPTION	DATE	APVD
-	-	SEE SHEET 1	-	-

TECHNICAL DATA	
RATED VOLTAGE	250V 30V(UL)
RATED CURRENT	4A 1.5A(UL)
POLLUTION DEGREE	3
OVERVOLTAGE CATEGORY	II
MATERIAL GROUP	II
DEGREE OF PROTECTION	IP67

**TE PN CODING:**

CABLE JACKET  
A=TPE EXTREM HIGH-FLEX

T A X X X X X X X X X - X X X

TE M12 SERIES

CODE TYPE  
D=D CODE

POLES NO.:  
4-4 POS

APPLICATION TYPE  
1=ETHERNET CAT5E SHIELDED  
2=ETHERNET CAT5E UNSHIELDED

WIRE GAUGE  
3=24AWG

OVERMOLDING  
0=BLACK TPU

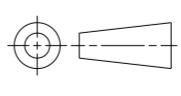
CABLE JACKET COLOR  
2=TEAL  
SIMILAR TO RAL5021

INTERFACE TYPE  
1=MALE STRAIGHT  
2=MALE ANGLED  
7=MALE STRAIGHT TO MALE STRAIGHT  
8=MALE STRAIGHT TO MALE ANGLED

OTHER ATTRIBUTES  
1=STANDARD SCREW NUT WITH NICKEL PLATED/  
STAMPED TERMINAL 30U"AU PLATING

TYPICAL LENGTH:  
-001:0.5M  
-002:1.0M  
-020:2.0M  
-005:5.0M  
-007:10.0M  
-150:15.0M  
-200:20.0M  
-250:25.0M  
-300:30.0M

CUSTOMIZATION RULES:  
-003:1.5M  
-004:3.0M  
-006:7.0M  
-99X:0.XM(<1.0M)  
(-993:0.3M)  
-XXX:XX.XM(>1.0M)  
(-155:15.5M)

THIS DRAWING IS A CONTROLLED DOCUMENT.		DWN ALEX ZHANG 14 JAN 2021	<b>STE</b> TE Connectivity	
		CHK HART HE 14 JAN 2021		
DIMENSIONS: mm		APVD CHRIS WANG 14 JAN 2021	NAME M12 D CODE CABLE ASSY, UNSHIELDED 4P, MS TO MR	
		PRODUCT SPEC 108-106140	RESTRICTED TO	
		APPLICATION SPEC 114-137144	SIZE A2	CAGE CODE -
MATERIAL -	TOLERANCES UNLESS OTHERWISE SPECIFIED: 0 PLC ± 1 PLC ± 2 PLC ± 3 PLC ± 4 PLC ± ANGLES ± FINISH -	WEIGHT -	DRAWING NO C-TAD2483A201XXX	
		CUSTOMER DRAWING	SCALE 2:1	SHEET 2 OF 2
			REV A	

1471-9 (3/13)