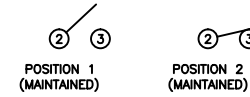


**SCHEMATIC**



**SPECIFICATIONS**

**FUNCTION:**  
1P1T OFF-ON

**RATINGS:**  
ANSI/UL 1054 and CAN/CSA C22.2 No. 55 (E194579):  
11A 125VAC [cURus]  
5.5A 250VAC [cURus]

EN 61058-1:2002/VDE 0630-1: (40017067):  
4A 250V~ 1E4 T55 [ENEC10, VDE]

**CONTACT RESISTANCE:**  
Initial: 30mΩ Max. at 50VAC

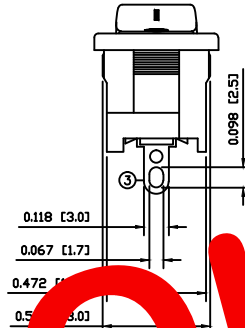
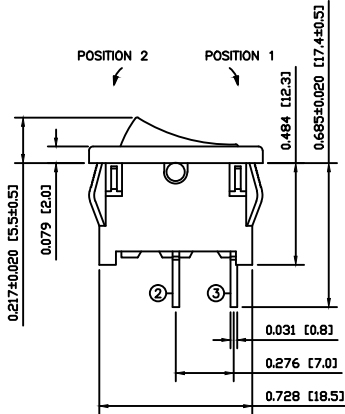
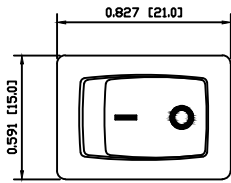
**INSULATION RESISTANCE:**  
500MΩ Min. at 500VDC

**DIELECTRIC STRENGTH:**  
1,000VAC For 1 Minute

**ELECTRICAL LIFE:**  
6,000 Cycles [cURus]  
10,000 Cycles [ENEC10, VDE]

**TEMPERATURE:**  
Operating: -20°C to 55°C [cURus]  
Operating: -20°C to 55°C [ENEC10, VDE]

**APPROVALS:**



**COLORS**  
BODY: Black  
ACTUATOR: Red  
MARKING: I/O Vertical (1)  
MARKING COLOR: Black

**MARKINGS**

**BODY:**  
Polyamide 6/6 (PA66), UL94 V-2

**ACTUATOR:**  
Polyamide 6/6 (PA66), UL94 V-2

**SPRING:**  
Steel

**PLUNGER:**  
Polyamide 6/6 (PA66), UL94 V-2

**MOBILE CONTACT:**  
Silver Plated Copper

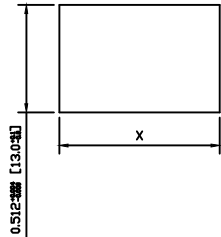
**CONTACTS:**  
Silver Alloy Over Copper

**TERMINALS:**  
Silver Plated Brass

OBSOLETE

March 2015

**SUGGESTED PANEL CUTOUT**



| PANEL THICKNESS         | X            |
|-------------------------|--------------|
| 0.020~0.049 [0.50~1.25] | 0.764 [19.4] |
| 0.049~0.079 [1.25~2.00] | 0.775 [19.7] |
| 0.079~0.118 [2.00~3.00] | 0.787 [20.0] |

| ACTUATOR       | A    | 09/07/28 | CAB |
|----------------|------|----------|-----|
| BODY           | A    | 09/07/28 | CAB |
| COLORS         | A    | 09/11/25 | CAB |
| MATERIALS      | A    | 09/07/28 | CAB |
| SPECIFICATIONS | A    | 09/07/28 | CAB |
| REFERENCE      | REV. | DATE     | BY  |

THE INFORMATION CONTAINED IN THIS DOCUMENT IS PROPRIETARY TO E-SWITCH-LAMB INDUSTRIES AND IS NOT TO BE COPIED OR TRANSFERRED

| INITIAL RELEASE | DESCRIPTION | PCRD0152 | 09/11/25 | CAB      |
|-----------------|-------------|----------|----------|----------|
| REV.            |             | PCR      | DATE     | DRAWN BY |

| DIMENSIONS           |                      |
|----------------------|----------------------|
| INCHES [MILLIMETERS] |                      |
| GENERAL TOLERANCES   | ±0.008 [±0.2] / ±1*  |
| SCALE                | DRAWING NOT TO SCALE |

|                |                   |          |
|----------------|-------------------|----------|
|                |                   |          |
| RA121A1911     |                   |          |
| DRAWING NUMBER | DATE              | REVISION |
| 03-RA121A1911  | NOVEMBER 25, 2009 | A        |