
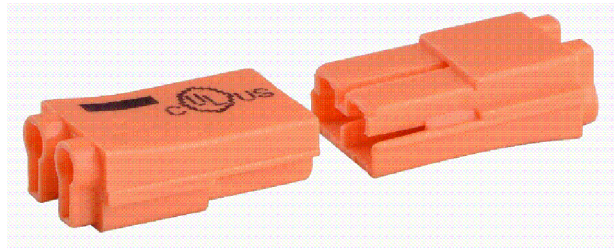
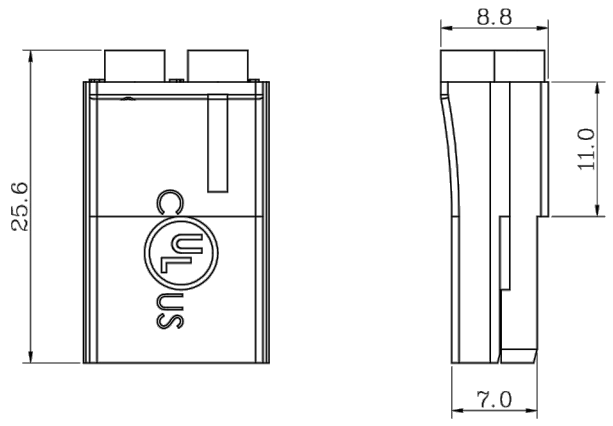
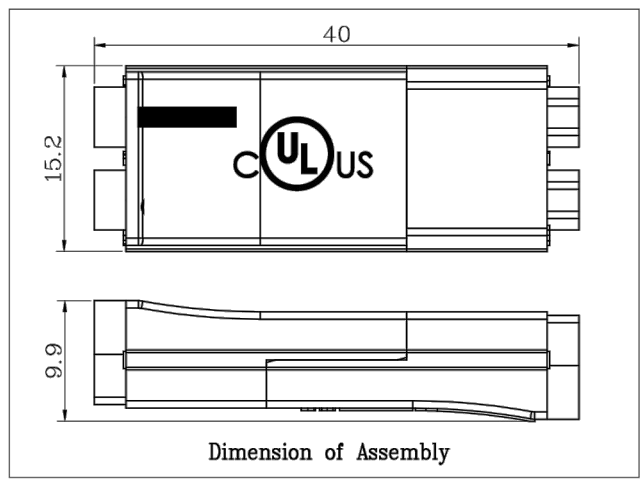
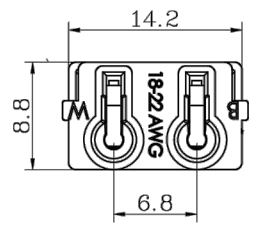


**SPECIFICATIONS:**  
 Housing: PA66, UL-94V-0 rated  
 Contacts: Copper alloy  
 Ratings: 3A, 120VAC  
           1.3A, 277VAC  
           1.04A, 347VAC  
           0.75A, 480VAC  
           0.6A, 600VAC  
 Applicable wire: 22-18AWG solid conductor  
 Wire Strip length: 9~10mm  
 Max. operating temperature: 105°C  
 Certifications:  
 UL2459 "Touch safe"   
 CSA 22.2/2459  
 Meets NEC 410.73(G) & CEC 30-308 (4)



RoHS  
COMPLIANT



REVISIONS		CHNG	CHK	APPR
REV	DATE	CHANGE	UPDATED DRAWING	PB
A	11/16/17			

TOLERANCE UNLESS OTHERWISE SPECIFIED	
X	± 1
X.X	± 0.4
X.XX	± 0.13
DRAWN BY	PB
CHECK BY	
APPR BY	
DATE:	10/26/17

**Power Dynamics, Inc.**  
 Phone: 973 560-0019 Whippany, New Jersey Fax: 973 560-0076

PART: LUMINAIRE DISCONNECTOR; 2X2 TYPE  
 WIRE REMOVABLE; INTERCHANGABLE GENDERLESS

PART #: **PD-CN-012**

SIZE: **A**  
 SCALE: **NTS**

ALL DIMENSIONS FOR REFERENCE ONLY  
 DIMENSIONS ARE IN MILLIMETERS

SHEET **1 of 1**  
 REV: **A**