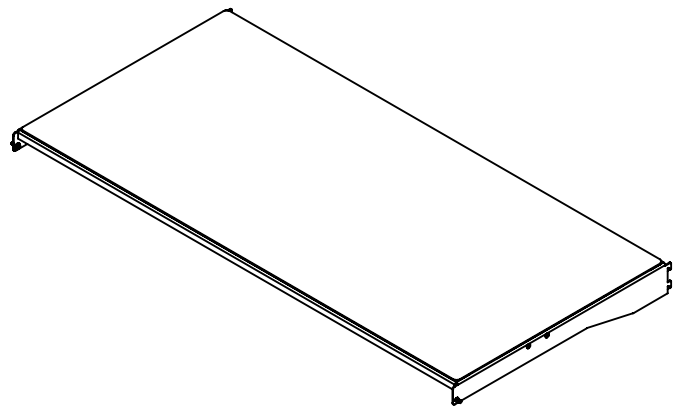
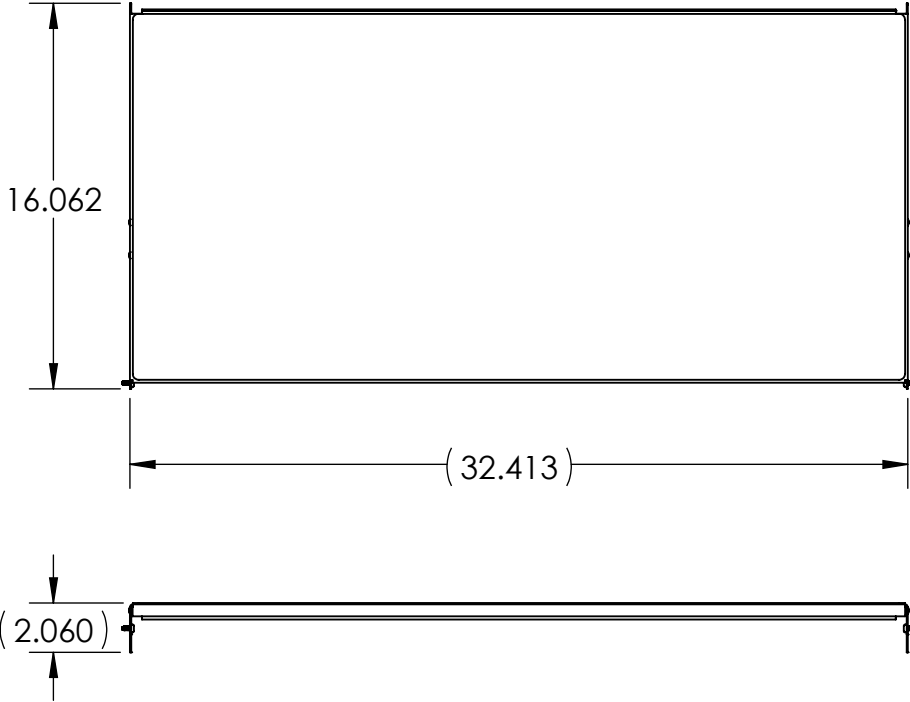


ITEM NO.	PART NUMBER	DESCRIPTION	QTY.
1	A-2555	FULL SHELF WELDMENT- ESD CABINET	1
2	A-2558	ESD MAT, FULL SIZE SHELF- ESD CABINET	1
3	H0548	SCREW, PAN, THREAD FORMING, TORX- 8-32 X .375	2



- NOTE:
1. MAXIMUM SHELF LOADING IS 50lbs.
 2. DO NOT ADHERE ESD MAT TO SHELF. THIS WILL BE DONE AT TIME OF SHELF INSTALLATION.
 3. ESD MAT IS STATIC DISSIPATIVE AT A VALUE OF RTT 1 X 10⁶ TO < 1 X 10⁹ OHMS.

KENDALL HOWARD CONFIDENTIAL THE INFORMATION CONTAINED IN THIS DRAWING IS THE SOLE PROPERTY OF KENDALL HOWARD. ANY REPRODUCTION IN PART OR AS A WHOLE WITHOUT THE WRITTEN PERMISSION OF KENDALL HOWARD IS STRICTLY PROHIBITED.		UNLESS OTHERWISE SPECIFIED, ALL DIMENSIONS ARE IN INCHES. TOLERANCES: FRACTIONAL: ±1/8 ANGULAR: ±1° TWO PLACE DECIMAL: ±.03 THREE PLACE DECIMAL: ±.010 HOLE: ±.005		APPROVAL		DATE		KENDALL HOWARD	
MANUFACTURING COMMENTS:		MATERIAL: NA		DRAWN BS		03/22/2021		TITLE:	
		SURFACE AREA (in ²): NA		DESIGN BS		03/22/2021		SKU, FIXED SHELF- ESD CABINET	
		FINISH ID: NA		ENG APPR				SIZE	
		FINISH DESCRIPTION: NA		MFG APPR				DWG. NO.	
		DO NOT SCALE DRAWING		LEGACY Part Number:				REV	
				CLASSIFICATION:		ESD Cabinets		A ESDC-7836-1204 A	
ECO No:		Description:		THIRD ANGLE PROJECTION		INTERPRET DIMENSIONS AND TOLERANCES PER ASME Y14.5-2009		SCALE: 1:8	
By:		Date:		App By:				WEIGHT (lbs): 11.47	
N/A		Initial Release		BS		03/22/2021		-	
								SHEET 1 OF 1	