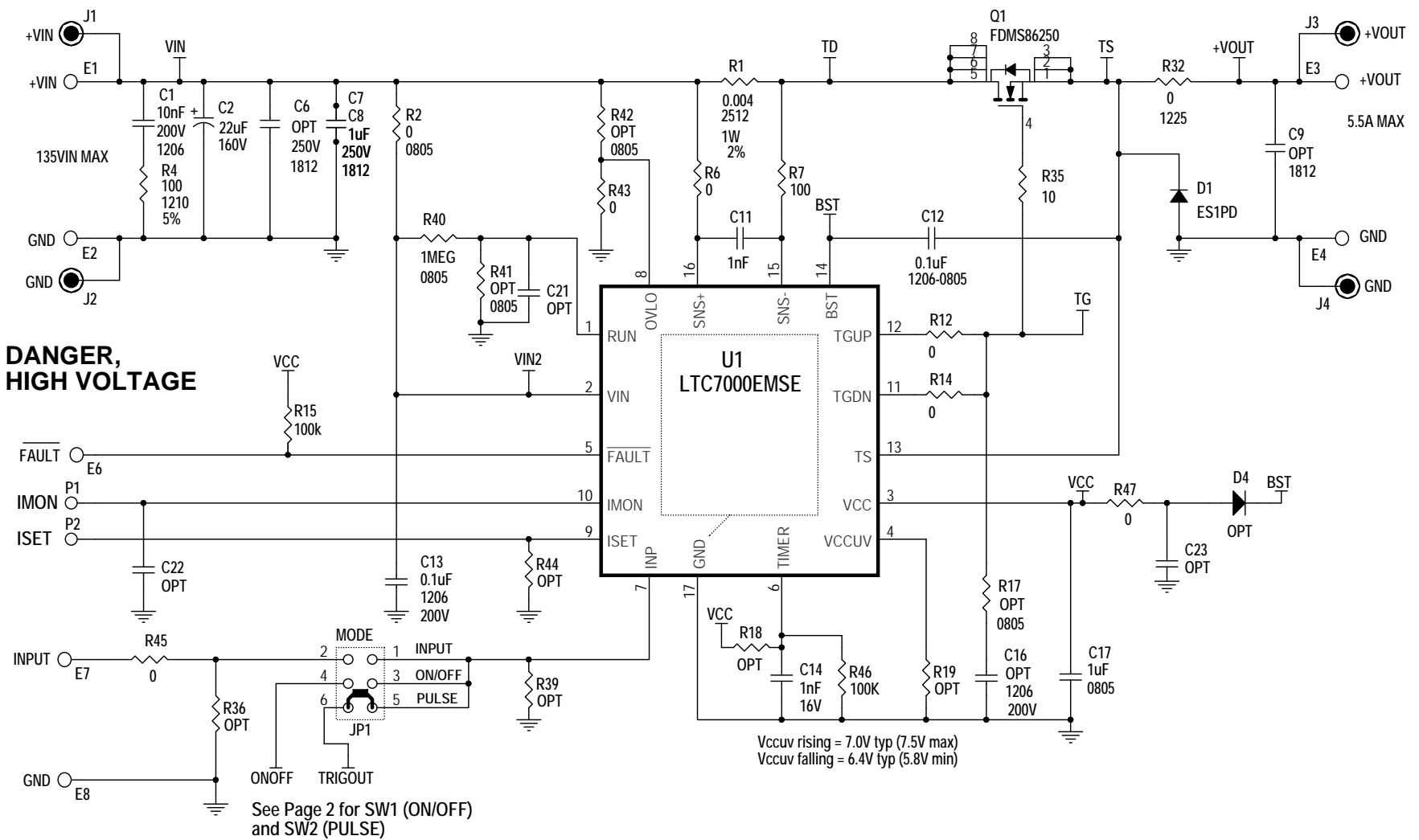


REVISION HISTORY				
ECO	REV	DESCRIPTION	APPROVED	DATE
-	3	PRODUCTION	KURK M.	08-16-17



Note: OPT = (OPT) = Optional = Not Used

Note: Unless otherwise specified:
All resistors are in ohms, 1%, 0603.
All capacitors are in microfarads 0603.
All capacitors are 25V.
1/16W = 0402, 1/10W = 0603, 1/8W = 0805,
1/4W = 1206, 1/2W = 1210, 1W = 2512.

1uF 250V TDK C4532X7T2E105K250KA (1812, X7T, -50% at 125V).
22uF 160V Sun Elect Ind 160ME22HPC (10X12.5, 153mA at 120Hz).
5.1V Zener On Semi MMSZ5V1T1.
0 Ohm 1225 TEPRO RN5326
0.004ohms 1W Panasonic ERJM1WTF4M0U (2512).
100ohm 1210 NIC NRCR25J101TRF (0.5W, 400W for 0.1ms).
Fairchild FDMS86250 (150V, 25mohmmax and 25nCTyp at 10V, 33mohmmax at 6V, Power56).

CUSTOMER NOTICE
LINEAR TECHNOLOGY HAS MADE A BEST EFFORT TO DESIGN A CIRCUIT THAT MEETS CUSTOMER-SUPPLIED SPECIFICATIONS; HOWEVER, IT REMAINS THE CUSTOMER'S RESPONSIBILITY TO VERIFY PROPER AND RELIABLE OPERATION IN THE ACTUAL APPLICATION. COMPONENT SUBSTITUTION AND PRINTED CIRCUIT BOARD LAYOUT MAY SIGNIFICANTLY AFFECT CIRCUIT PERFORMANCE OR RELIABILITY. CONTACT LINEAR TECHNOLOGY APPLICATIONS ENGINEERING FOR ASSISTANCE.

THIS CIRCUIT IS PROPRIETARY TO LINEAR TECHNOLOGY AND SUPPLIED FOR USE WITH LINEAR TECHNOLOGY PARTS.

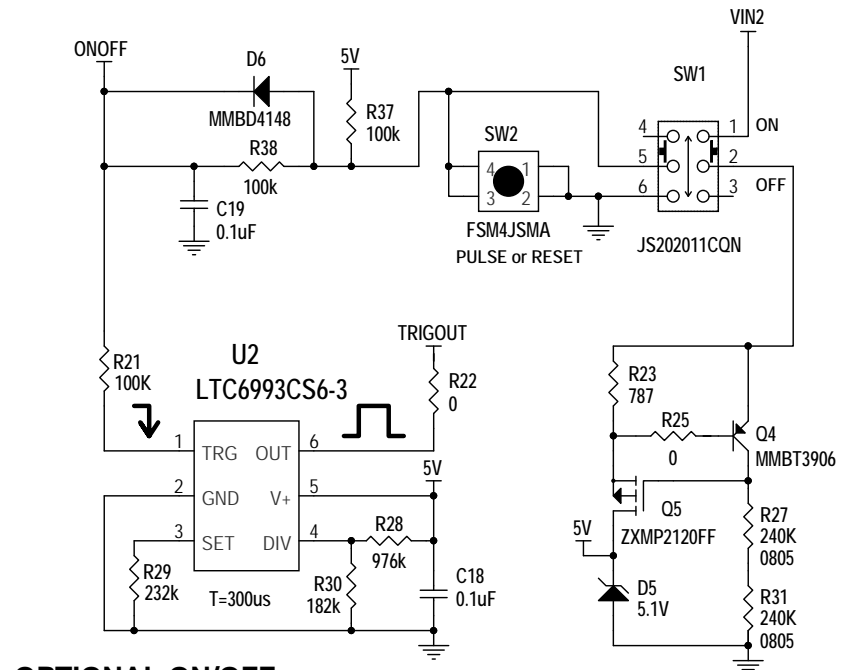
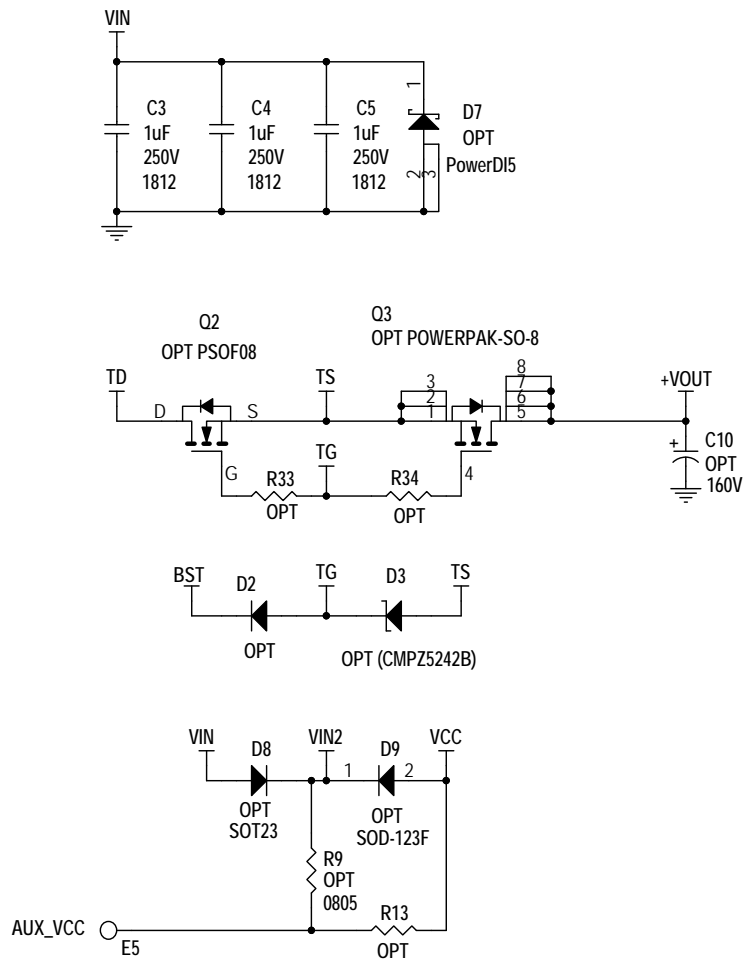
APPROVALS	
PCB DES.	LT
APP ENG.	KURK M.
SCALE	NONE

LINEAR TECHNOLOGY
1630 McCarthy Blvd.
Milpitas, CA 95035
Phone: (408)432-1900 www.linear.com
Fax: (408)434-0507
LTC Confidential-For Customer Use Only

TITLE: SCHEMATIC

FAST HIGH VOLTAGE PROTECTED HIGH-SIDE NMOS STATIC SWITCH DRIVER

SIZE	IC NO.	LTC7000EMSE	REV.
N/A		DC2537A	3
DATE:	Wednesday, August 16, 2017		SHEET 1 OF 2



**OPTIONAL ON/OFF
and SINGLE SHOT**

<p>CUSTOMER NOTICE</p> <p>LINEAR TECHNOLOGY HAS MADE A BEST EFFORT TO DESIGN A CIRCUIT THAT MEETS CUSTOMER-SUPPLIED SPECIFICATIONS; HOWEVER, IT REMAINS THE CUSTOMER'S RESPONSIBILITY TO VERIFY PROPER AND RELIABLE OPERATION IN THE ACTUAL APPLICATION. COMPONENT SUBSTITUTION AND PRINTED CIRCUIT BOARD LAYOUT MAY SIGNIFICANTLY AFFECT CIRCUIT PERFORMANCE OR RELIABILITY. CONTACT LINEAR TECHNOLOGY APPLICATIONS ENGINEERING FOR ASSISTANCE.</p>	<p>APPROVALS</p>		<p>1630 McCarthy Blvd. Milpitas, CA 95035 Phone: (408)432-1900 www.linear.com Fax: (408)434-0507 LTC Confidential-For Customer Use Only</p>	
	PCB DES.	LT		
	APP ENG.	KURK M.	<p>FAST HIGH VOLTAGE PROTECTED HIGH-SIDE NMOS STATIC SWITCH DRIVER</p>	
	<p>THIS CIRCUIT IS PROPRIETARY TO LINEAR TECHNOLOGY AND SUPPLIED FOR USE WITH LINEAR TECHNOLOGY PARTS.</p>		SCALE = NONE	<p>SIZE N/A</p> <p>IC NO. LTC7000EMSE DC2537A</p>
			DATE: Wednesday, August 16, 2017	SHEET 2 OF 2