

C3225X7R1H475K250AE

TDK item description : C3225X7R1H475KT***S

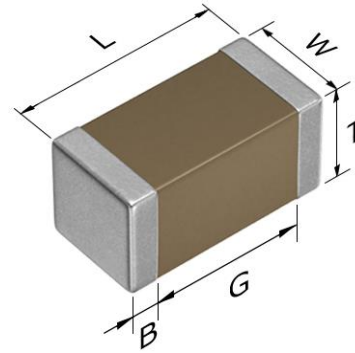


Application & Main Feature

Commercial grade (Soft termination)

Series

C3225 [EIA 1210]



Dimensions

L 3.20+0.50,-0.40 mm
 W 2.50±0.30 mm
 T 2.50±0.30 mm
 B 0.20 mm min.
 G ---

Temperature Characteristic

X7R (-55 to +125 degC, ±15%)

Rated Voltage

1H (50Vdc)

Capacitance

4.7µF

Capacitance Tolerance

K (±10%)

DF

5 % max.

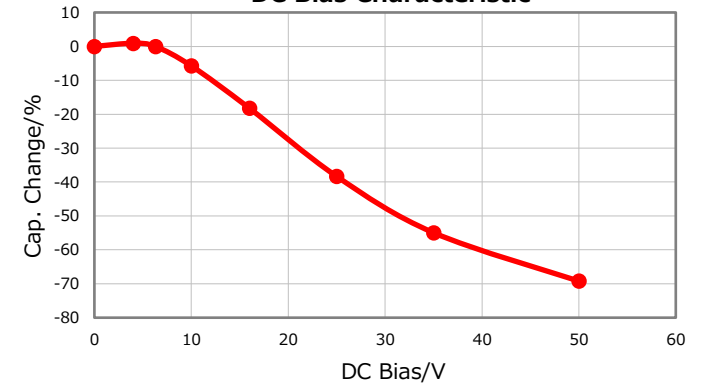
Insulation Resistance

106 Mohm min.

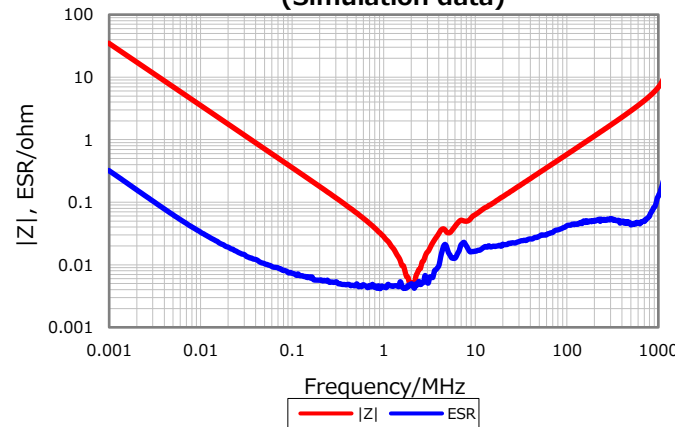
AEC-Q200

Not Applicable

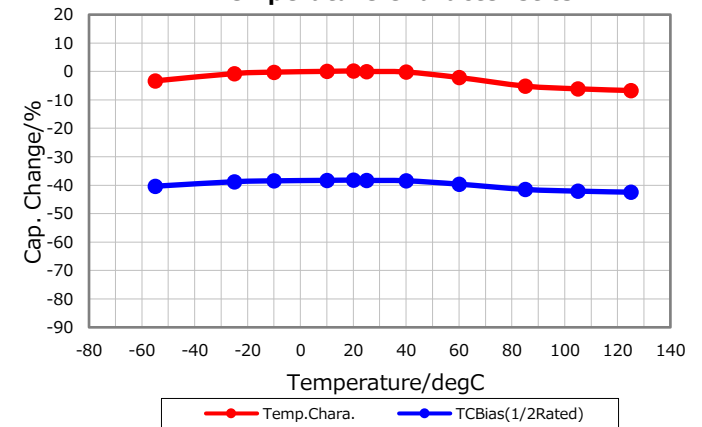
DC Bias Characteristic



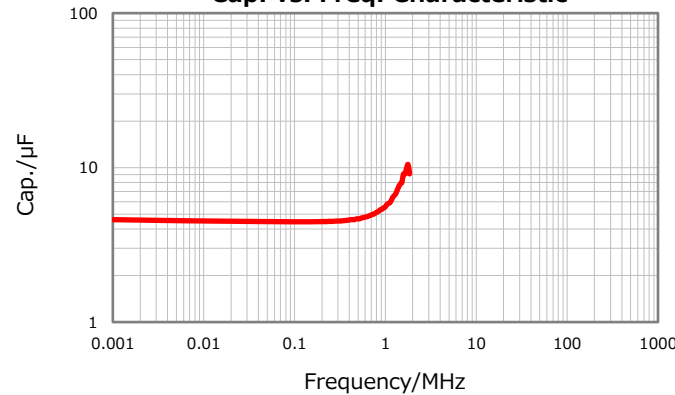
|Z|, ESR vs. Freq. Characteristics (Simulation data)



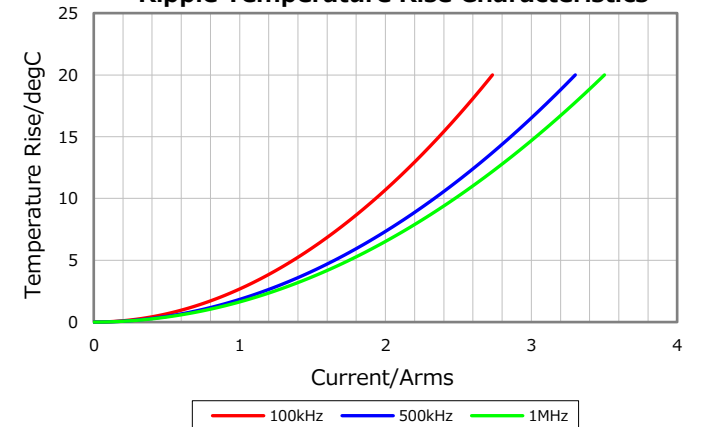
Temperature Characteristics



Cap. vs. Freq. Characteristic



Ripple Temperature Rise Characteristics



Characterization Sheet (Multilayer Ceramic Chip Capacitors)



All specifications are subject to change without notice.

June 28, 2022