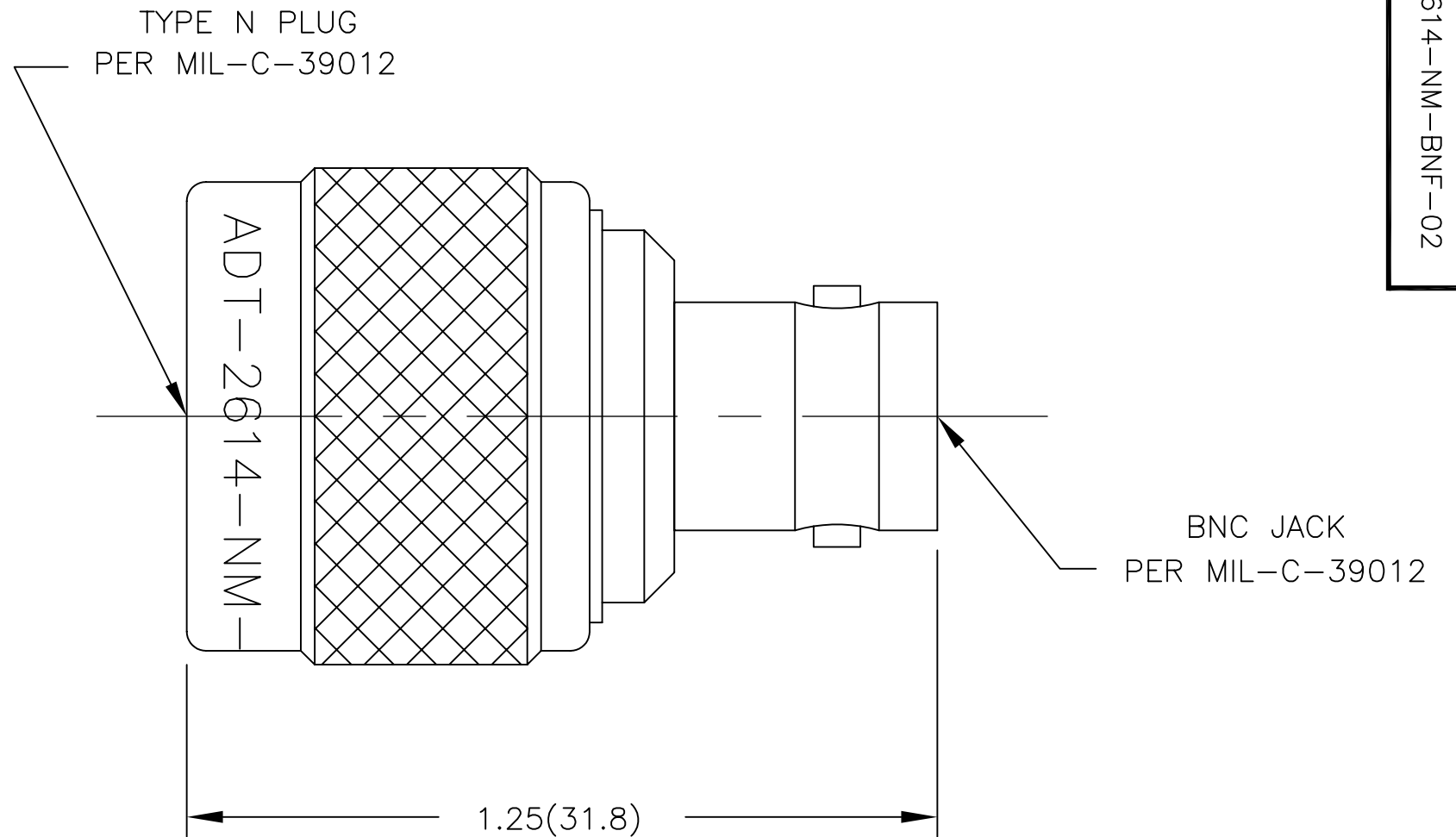


NOTES:

- 1.0 MATERIALS:
 - 1.1 HOUSING & COUPLING NUT: STAINLESS STEEL PER ASTM-A582, TYPE 303.
 - 1.2 BNC HOUSING: HALF HARD BRASS PER ASTM B16.
 - 1.3 CENTER CONTACT: BERYLLIUM COPPER ROD ALLOY C172, PER ASTM-B196.
 - 1.4 DIELECTRIC: PTFE FLUOROCARBON PER ASTM-D1457.
- 2.0 PLATING:
 - 2.1 HOUSING & COUPLING NUT: PASSIVATED PER MIL-F-14072 AND QQ-P-35.
 - 2.2 CENTER CONTACT: GOLD PER MIL-G-45204 TYPE II, CLASS 2.
 - 2.3 BNC HOUSING: NICKEL PER QQ-N-290.
- 3.0 ELECTRICAL SPECIFICATIONS:
 - 3.1 FREQUENCY RANGE: DC to 4.0 GHz.
 - 3.2 VSWR (MAXIMUM): 1.25:1
 - 3.3 IMPEDANCE: 50 OHMS
- 4.0 MARKING: MARK UNIT AS SHOWN (REF: INK-06819-27-02)
- 5.0 DIMENSIONS IN PARENTHESIS ARE IN MILLIMETERS.



DWG. NO. WAS: 06811-01-00

REV.	DESCRIPTION	DATE
-	RELEASED	6/20/86
A	ECR 6545	8/1/89
B	CAD/ UPDATE SPEC'S	8/13/93
D	ECO 23196	1/13/11

NOTICE: The information contained in this drawing is proprietary and must not be used without the permission of Emerson Network Power. UNLESS OTHERWISE NOTED DIMENSIONS ARE IN INCHES AND TOLERANCES ARE: 3 PLACE DECIMALS ±.005 2 PLACE DECIMALS ±.02 FRACTIONS ±1/64 PARALLELITY: T.I.R. _____ FLATNESS: T.I.R. _____ CONCENTRICITY: T.I.R. _____ ANGLES AND PERPENDICULARITY: ±1'	CAGE CODE 34078	MIDWEST MICROWAVE	
		TITLE ADAPTER - BNC JACK TO TYPE N PLUG OUTLINE DRAWING	
DRAWN/DATE M.HOLLMAN 8/11/93	ENG./DATE A.OSGA 8/25/93	DRAWING NUMBER ADT-2614-NM-BNF-02-01	REV. D
CHECKED/DATE A.BEATTY 8/23/93	APPROVED/DATE	SCALE: 5=1	SHEET 1 of 1