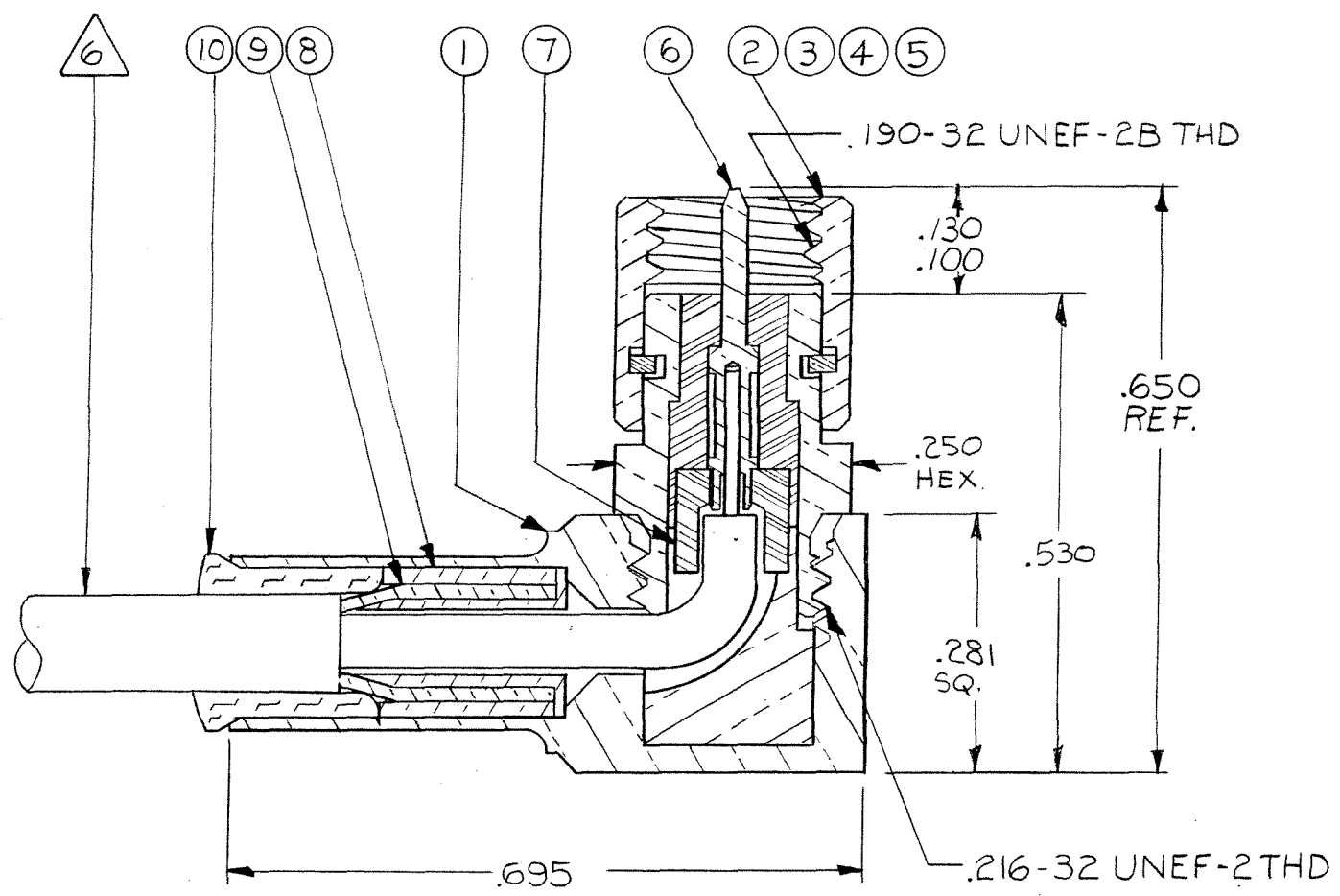


REVISIONS					
ZONE	LTR	ECN	DESCRIPTION	DATE	APPROVED
	C	23873	REVISED & REDRAWN	4/11/79	<i>[Signature]</i>



PD 9-1532231-7

TYCO CUSTOMER DWG 8-1532149-2

NOTES: UNLESS OTHERWISE SPECIFIED

- THIS CONNECTOR MATES WITH ALL 50Ω GOLDEN CRIMP, CRIMP SILVER & S-50 JACKS & RECEPTACLES AS LISTED IN TYCO CATALOG.
- SEE RF-ASMB-11 ASSEMBLY INSTRUCTIONS. SPECIAL TOOLS REQUIRED: CONTACT CRIMP: 010-0134-0000 & LOCATOR 001-0104-0000. ALTERNATE TOOL 010-0065-0000 (NO LOCATOR REQ'D). HOUSING CRIMP: 010-0082-0000.
- FOR ELECTRICAL & MECHANICAL SPECS SEE TYCO CATALOG.

△ 4 HOUSING, FERRULE, COUPLING NUT, MIDDLE SLEEVE & INNER SLEEVE ARE GOLD PLATED PER MIL-G-45204, TYPE II GRADE C, CLASS I.

△ 5 COUPLING NUT HAS SAFETY WIRE HOLES WHICH ACCEPT .021 DIA. MAX. WIRE.

△ 6 CABLE ACCOMMODATION DIM.S:
 JACKET DIA. .110 MAX.
 DIELECTRIC DIA. .057-.074
 INNER CONDUCTOR DIA. .009-.020
 FOR USE WITH EXTRUDED OR WRAPPED JACKET.

					003-0861-0001	SEALING SLEEVE	SILICONE RUBBER PER ZZ-R-765		10
△ 4					003-1243-0002	INNER SLEEVE	BRASS PER QQ-B-626		9
△ 4					003-0938-0002	MIDDLE SLEEVE	LEADED COPPER		8
					003-1242-0001	CABLE INSULATOR	TEFLON PER. L-P-403		7
△ 4					003-0807-0002	PIN CONTACT	BERYLLIUM COPPER PER. QQ-C-530		6
△ 5					003-1233-0004	FERRULE SUBASSY. NUT .250 HEX.			5
△ 4					003-1233-0003	FERRULE SUBASSY. NUT .250 HEX.			4
△ 4					003-1233-0002	FERRULE SUBASSY. NUT .250 KNURL			3
△ 4					003-1233-0001	FERRULE SUBASSY. NUT .250 PARTIAL HEX.			2
△ 4					003-1239-0002	HOUSING SUBASSY.			1

4	3	2	1						
DASH NO.				PART NO.	DESCRIPTION	MAT'L & SPEC.	ITEM NO.		

UNLESS OTHERWISE SPECIFIED DIMENSIONS ARE IN INCHES TOLERANCES ARE:		CONTRACT NO.		MALCO A MICRODOT COMPANY, INC. 220 PASADENA AVE., SO. PASADENA, CALIF. 91030	
FRACTIONS	DECIMALS	ANGLES	APPROVALS	DATE	RIGHT ANGLE PLUG NON-ENVIRONMENTAL GOLDEN CRIMP 50Ω SIZE B CODE IDENT NO. 98278 DRAWING NO. 132-0118-000*
± .XX ±	±	±	DRAWN <i>R.T. CRUZ</i>	1-3-79	
± .XXX ±	± .015		CHECKED <i>J. Anderson</i>	2/12/79	
			PR. ENG. <i>RAM</i>	4-11-79	
MATERIAL	NOTED		APPROVED		PROD. CODE 941 CODE CDM
FINISH	NOTED		<small>These drawings and specifications are the property of Microdot Inc., are issued in strict confidence and shall not be divulged, be reproduced or copied, or used as the basis for the manufacture or sale of any article without written permission of Microdot Inc.</small>		
NEXT ASSY	USED ON	APPLICATION	DO NOT SCALE DRAWING	SCALE	SHEET 1 OF 1