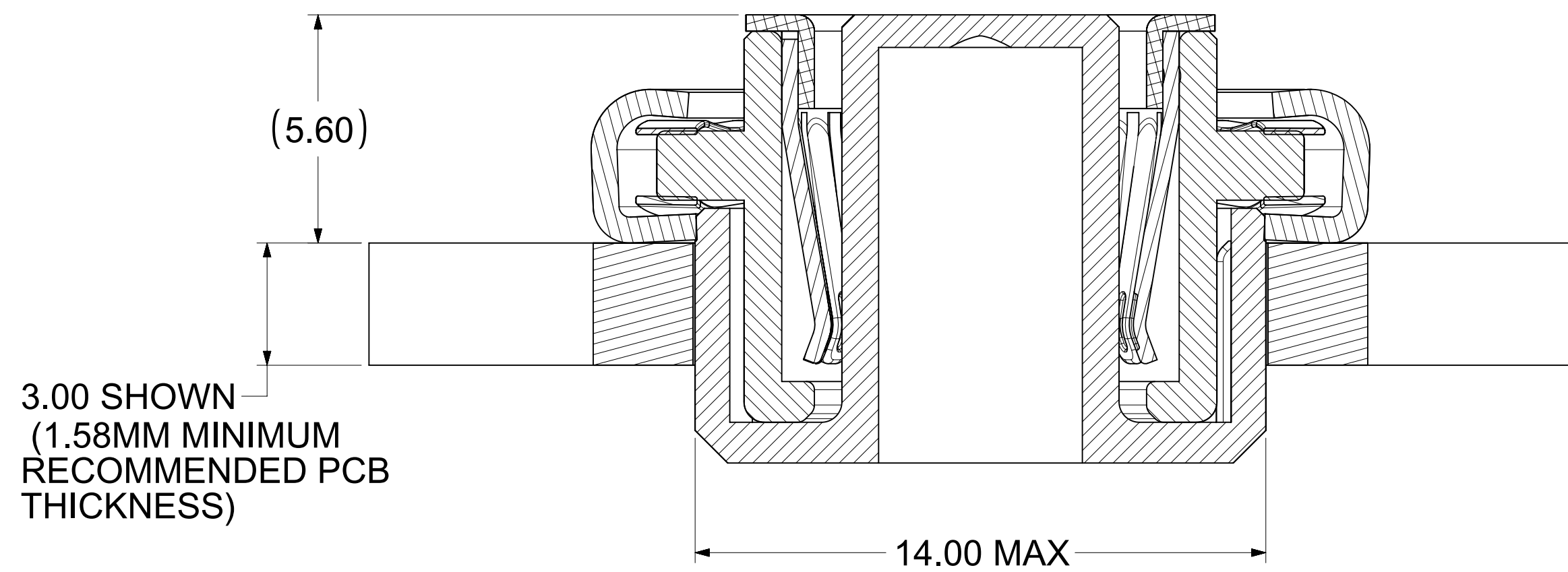
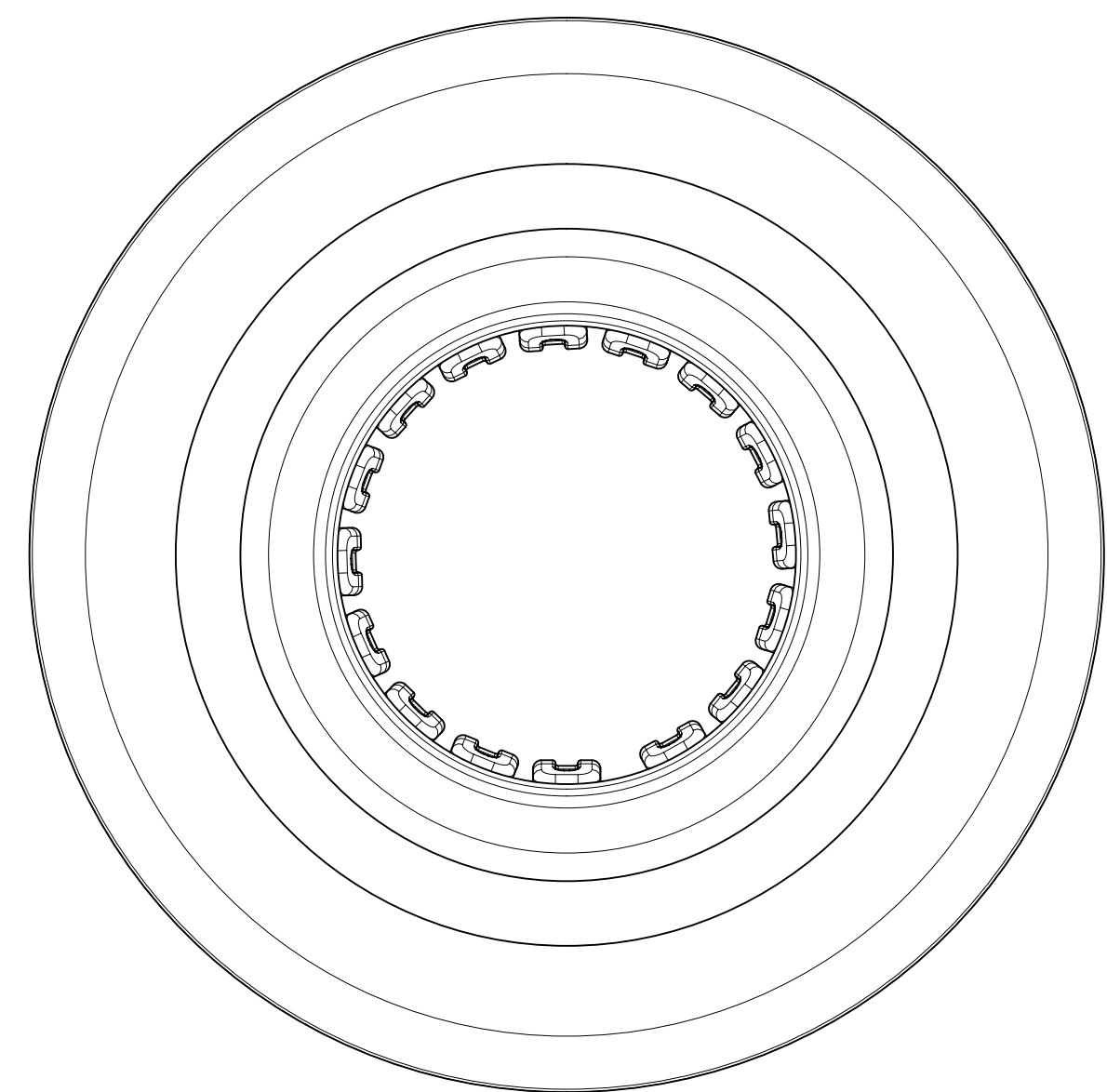
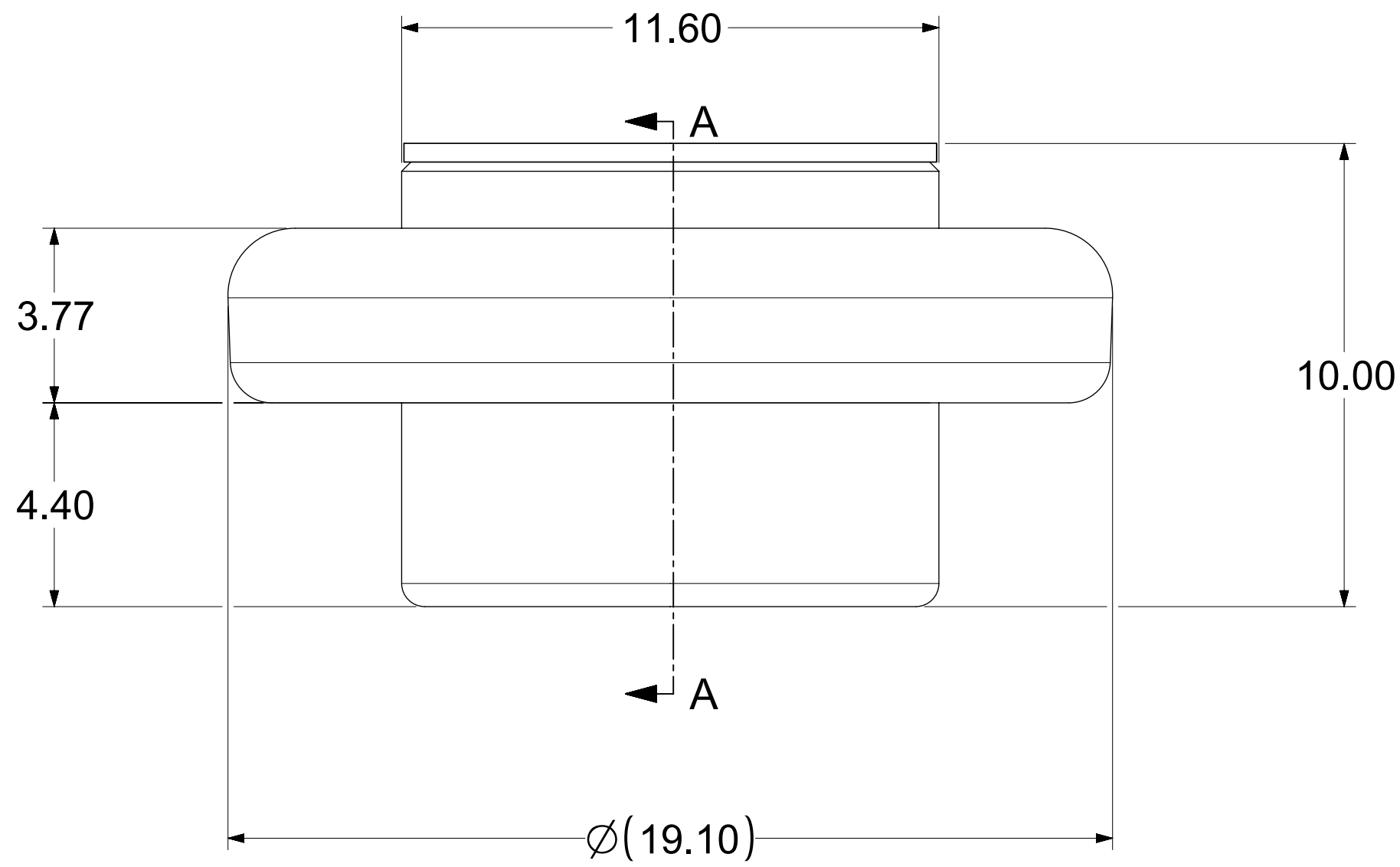


MATING PROFILE



PICK AND PLACE CAP SHOWN
SECTION A-A

NOTES:

- MATERIALS:
PICK AND PLACE CAP: LCP UL94, V-0 COLOR BLACK
RETENTION CAP: STAINLESS STEEL
BASE METAL: HIGH CONDUCTIVE COPPER ALLOY
PLATING ON CONTACTS: 0.75 MICRON MIN GOLD OVER 1.27 MICRON MIN NICKEL
PLATING ON BODY: 3.18 MICRON MIN SILVER OVER 1.27 MICRON MIN NICKEL
- MATES WITH STANDARD PIN DRAWINGS
(MATING DISTANCE BASED ON 1.58MM BOARD THICKNESS):
i. 8.0MM SMT DRAWING 2032633080-SD, MIN. MATING DISTANCE 4.97MM
ii. 8.0MM PRESS FIT DRAWING 2032630001-SD, MIN. MATING DISTANCE 5.32MM
iii. 8.0MM SCREW MOUNT DRAWING 2032634185-SD, MIN. MATING DISTANCE 8.32MM
- PRODUCT SPECIFICATION: 2043130001-PS
- APPLICATION SPECIFICATION: 2043130001-AS
SEE APPLICATION SPEC FOR SOLDERING INFORMATION.
- PACKAGING SPECIFICATION: 2043650010-PK
- SILVER COMPONENTS WILL BE SUPPLIED TARNISH FREE BUT MAY TARNISH OVER TIME.
- PICK AND PLACE CAP TO BE REMOVED AFTER SOLDERING. CAP TO BE PUSHED OUT OF BOTTOM FROM THE TOP.
- DATE CODE TO BE LASER MARKED APPROXIMATELY WHERE SHOWN USING DDDYY FORMAT

THIS DRAWING CONTAINS INFORMATION THAT IS PROPRIETARY TO MOLEX ELECTRONIC TECHNOLOGIES, LLC AND SHOULD NOT BE USED WITHOUT WRITTEN PERMISSION									
DIMENSION UNITS	SCALE	CURRENT REV DESC: UPDATED THE TITLE BLOCK							
mm	NTS								
GENERAL TOLERANCES (UNLESS SPECIFIED)									
ANGULAR TOL	± 0.5°								
4 PLACES	±	EC NO: 730607							
3 PLACES	±	DRWN: SOURAJ	2022/11/30						
2 PLACES	± 0.15	CHK'D: GSHARMA	2022/12/08						
1 PLACE	± 0.25	APPR: HTHYAGARAJ	2022/12/14						
0 PLACES	±	INITIAL REVISION:							
DRAFT WHERE APPLICABLE MUST REMAIN WITHIN DIMENSIONS		DRWN: RLOW	2019/09/19						
		APPR: BPISZCZOR	2019/10/04						
		THIRD ANGLE PROJECTION	DRAWING	SERIES	MATERIAL NUMBER	CUSTOMER	SHEET NUMBER		
			D-SIZE	204365	2043655010	GENERAL MARKET	1 OF 1		

molex

8.0MM CENTRALITY BOTTOM ENTRY SMT SOCKET WITH FLOAT IN TRAY

PRODUCT CUSTOMER DRAWING

DOCUMENT NUMBER	DOC TYPE	DOC PART	REVISION
2043655010-SD	PSD	000	B2