

Cable gland - HC-M-KV-M20(11-16) - 1645998


Please be informed that the data shown in this PDF Document is generated from our Online Catalog. Please find the complete data in the user's documentation. Our General Terms of Use for Downloads are valid (<http://phoenixcontact.com/download>)



Metal screw connection up to 5 bar, thread length: 6 mm, cable diameter: 11 - 16 mm, WAF 27, screw connection: M20



Key Commercial Data

| | |
|--------------|---|
| Packing unit | 25 pc |
| GTIN |  4 017918 941260 |
| GTIN | 4017918941260 |

Technical data

Dimensions

| | |
|---------------------------------|---------------------|
| Length | 35.5 mm |
| Wrench size, union nut | 27 mm |
| Wrench size, support | 27 mm |
| Hexagon angular dimension | 30 mm |
| Length of the connecting thread | 6 mm |
| Feed-through hole diameter | 20.1 mm ... 20.2 mm |
| External cable diameter | 11 mm ... 16 mm |

Ambient conditions

| | |
|---------------------------------|--------------------|
| Degree of protection (IP) | IP68 (up to 5 bar) |
| Ambient temperature (operation) | -30 °C ... 100 °C |

General

| | |
|----------------------|---------------------|
| No. of conductors | 1 |
| Cable gland material | Nickel-plated brass |
| Material, insert | PA |
| Cable seal material | CR/NBR |
| Sealing material | NBR (O-ring) |
| Shielded | no |

Cable gland - HC-M-KV-M20(11-16) - 1645998

Technical data

General

| | |
|--------------------------------|-------------------------|
| Thread type connection side | M20 x 1.5 |
| Thread type on connection side | M20 |
| Torque | 7.5 Nm (Union nut) |
| | 7.5 Nm (Support sleeve) |
| Color | silver |

Standards and Regulations

| | |
|--------------|----|
| Halogen-free | no |
|--------------|----|

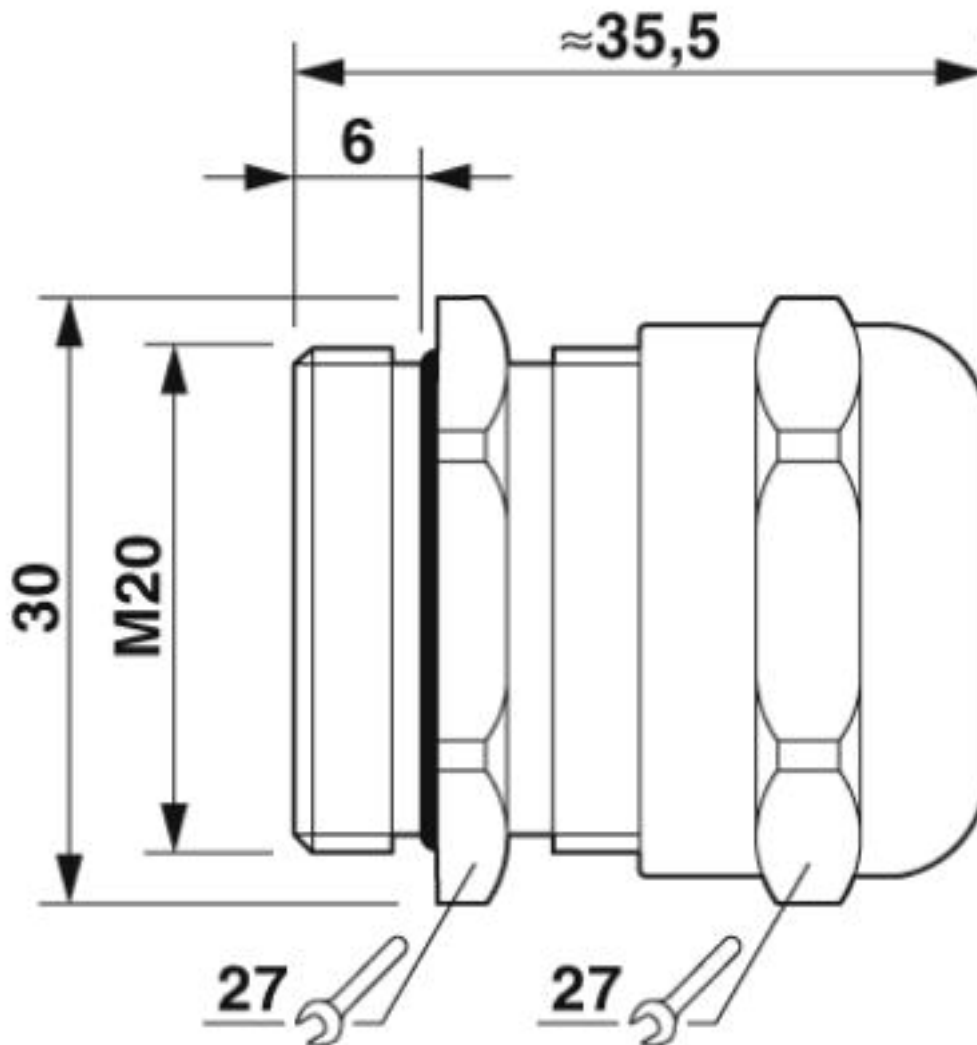
Environmental Product Compliance

| | |
|------------|---|
| | Lead 7439-92-1 |
| China RoHS | Environmentally Friendly Use Period = 50 |
| | For details about hazardous substances go to tab "Downloads", Category "Manufacturer's declaration" |

Drawings

Cable gland - HC-M-KV-M20(11-16) - 1645998

Dimensional drawing



Dimensional drawing

Phoenix Contact 2019 © - all rights reserved
<http://www.phoenixcontact.com>

PHOENIX CONTACT GmbH & Co. KG
Flachsmarktstr. 8
32825 Blomberg
Germany
Tel. +49 5235 300
Fax +49 5235 3 41200
<http://www.phoenixcontact.com>