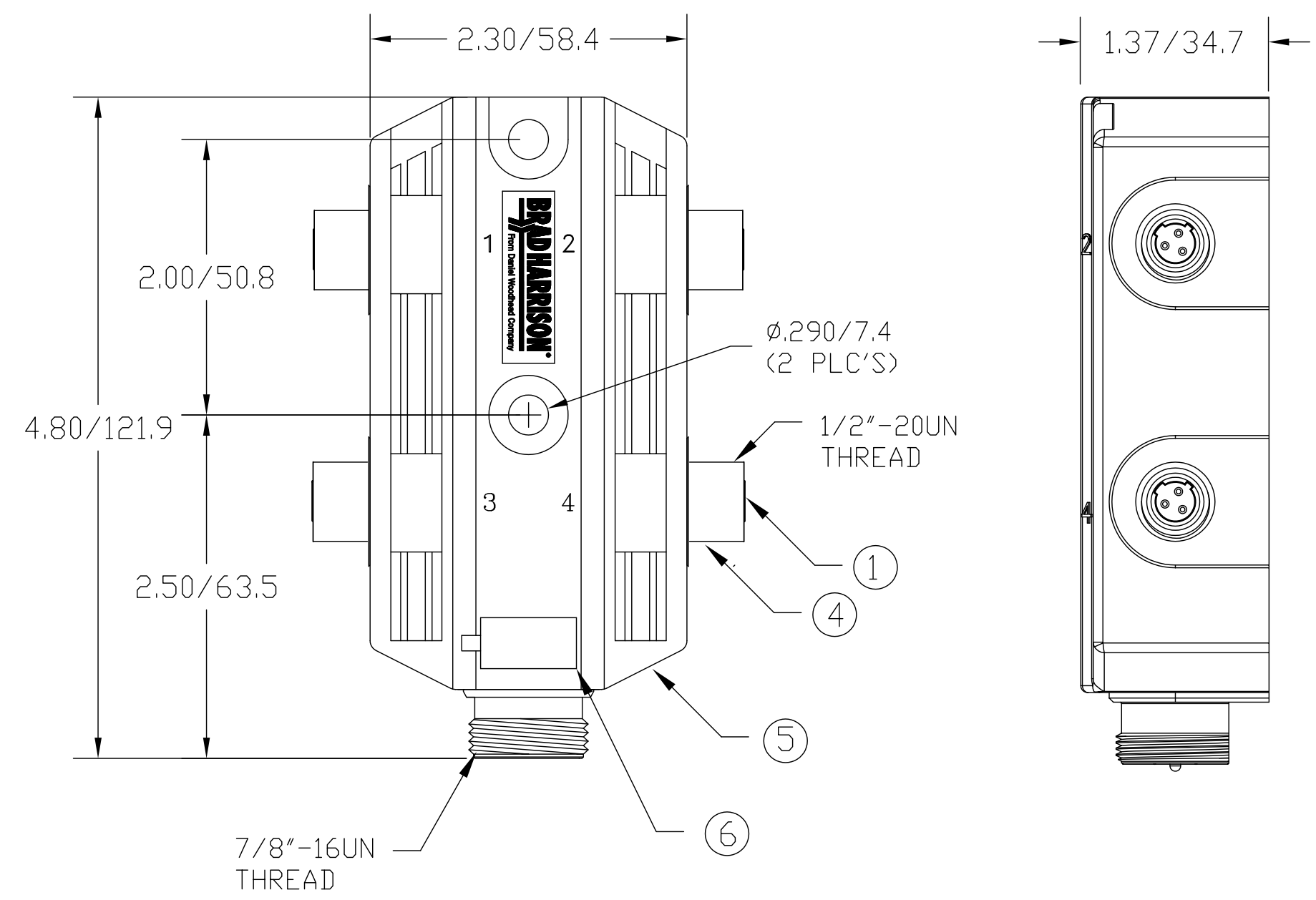
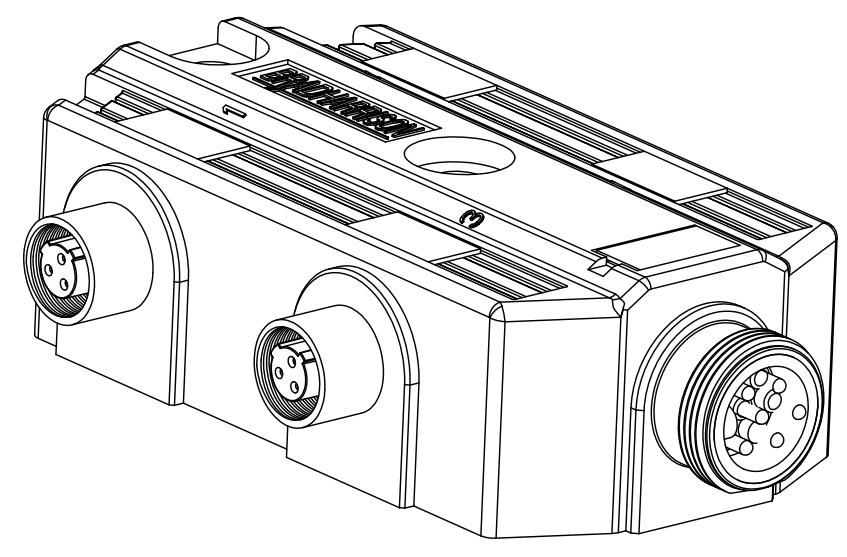
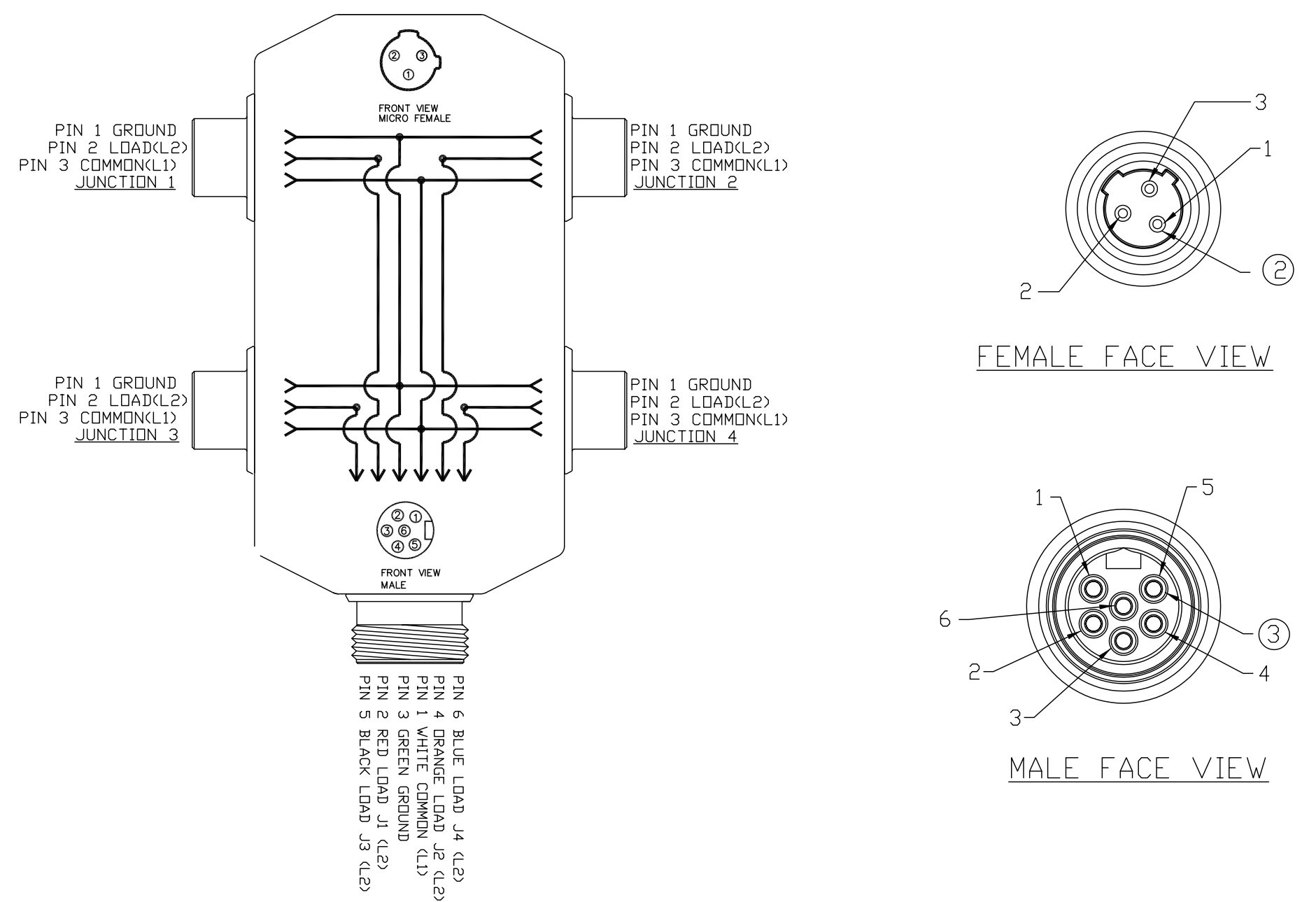


MATERIAL NUMBER	OLD PART NUMBER
120115-0017	702P401



SCHEMATIC



VOLTAGE RATING	120 VAC/VDC
AMPERAGE RATING PER PORT	4 AMPS
AMPERAGE RATING PER UNIT	8 AMPS
PROTECTION	IP67
OPERATING TEMPERATURE	-25°C TO 90°C

ITEM	COMPONENT	MATERIAL	FINISH
1	INSERT	NLYON	BLACK
2	CONTACT SOCKET	COPPER ALLOY	GOLD OVER NICKEL
3	CONTACT PIN	COPPER ALLOY	GOLD OVER NICKEL
4	RECEPTACLE SHELL	ZINC DIE CAST	BLACK E-COATED
5	HOUSING	PBT	BLACK
6	LABEL	ABS	WHITE
	POTTING MATERIAL	EPOXY	AMBER

DK PINOUT, EPOXY COLOR EC NO: WEU2010-0200 DRWN: VOU 11/23/09 CH'KD: TWOLDEGE 2009/12/1 APPR: JFMURPHY 2009/12/15	QUALITY SYMBOL ▽=0 ◻=0	GENERAL TOLERANCES (UNLESS SPECIFIED)		DIMENSION STYLE IN/MM		SCALE ---	DESIGN UNITS ---	THIRD ANGLE PROJECTION
		4 PLACES ±--- mm 3 PLACES ±--- INCH 2 PLACES ±--- ±.01 1 PLACE ±0.3 ±---	DRAWN BY BW	DATE 2009/03/26	TITLE MICRO DUALKEY 4 PORT 3 POLE MPIS			
		ANGULAR ±---°	CHECKED BY LH	DATE 2009/03/26	MOLEX INCORPORATED			
		DRAFT WHERE APPLICABLE MUST REMAIN WITHIN DIMENSIONS	APPROVED BY JFMURPHY	DATE 2009/12/15	DOCUMENT NO. SD-120115-001	SHEET NO. 1 OF 1		
B	REV	SIZE C		THIS DRAWING CONTAINS INFORMATION THAT IS PROPRIETARY TO MOLEX INCORPORATED AND SHOULD NOT BE USED WITHOUT WRITTEN PERMISSION				