

6

5

4

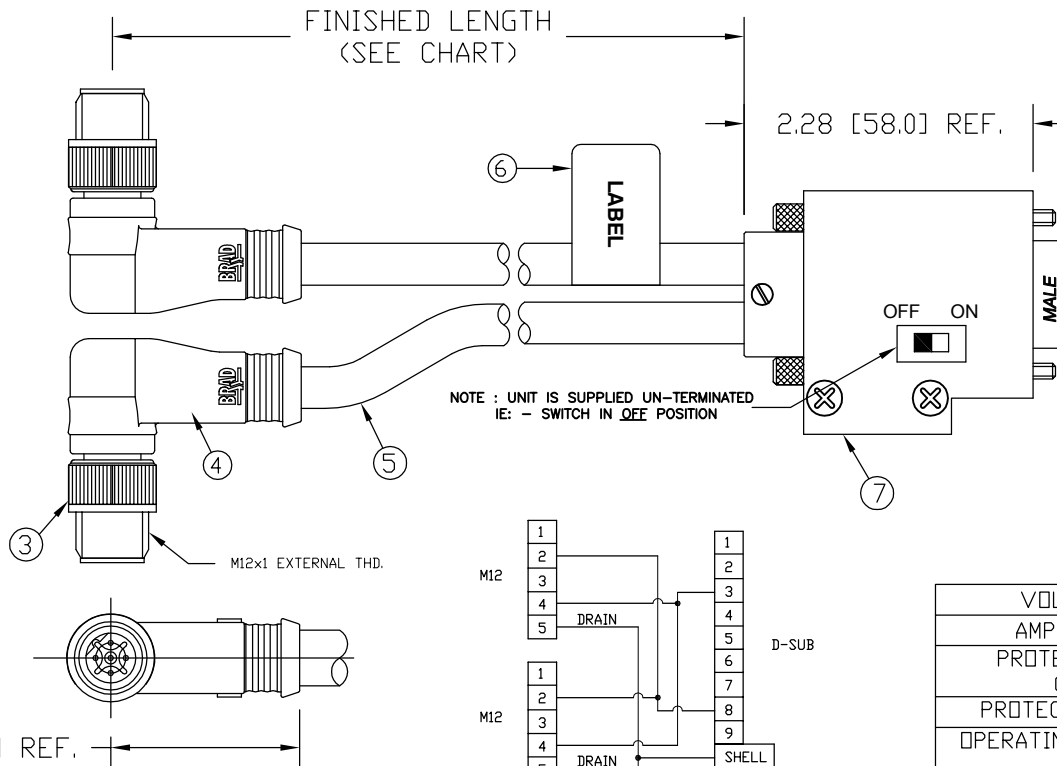
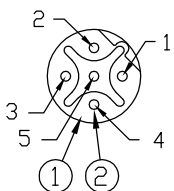
3

2

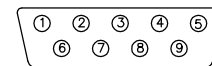
1

MATERIAL NUMBER	ENGINEERING NUMBER	FINISHED LENGTH
1200980151	BM5G61PP4M010	1.0M +55.6mm -0 [3.28' +2.19" -0]
1200980187	BM5G61PP4M050	5.0M +165.1mm -0 [16.40' +6.50" -0]

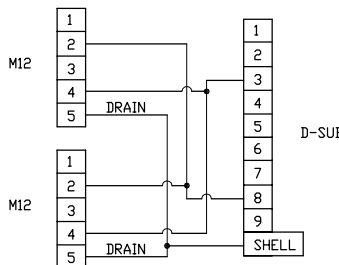
MICRO-CHANGE MALE FACE VIEW



9 WAY D-SUB MALE FACE VIEW



PINS 1, 2, 4, 5, 7, & 9 ARE NOT CONNECTED ON D-SUB



VOLTAGE RATING	250 VAC/VDC
AMPERAGE RATING	4 AMPS
PROTECTION FOR M12 CONNECTOR	IP67
PROTECTION FOR D-SUB	IP40
OPERATING TEMPERATURE - M12 HEAD	-20°C TO 80°C
OPERATING TEMPERATURE - D-SUB	0°C TO 60°C

ITEM	COMPONENT	MATERIAL	FINISH
1	M12 INSERT	NYLON	BLACK
2	CONTACT PIN	COPPER ALLOY	GOLD OVER NICKEL
3	COUPLING NUT	BRASS	NICKEL PLATED
4	OVERMOLD	PUR	YELLOW
5	CABLE- 22 AWG, COPPER STRANDING TWISTED PAIR, SHIELD WITH BRAID	PUR	PURPLE
6	LABEL	MLYAR	BLACK/YELLOW
7	D-SUB	ABS	BLACK

RELEASED DRAWING  
 EC NO: MEL2010-0081  
 DRWN: LHARTMAN 8/26/09  
 CHKD: BWOODMAN 09/08/27  
 APPR: JFMURPHY 2009/08/28

QUALITY SYMBOLS  
 ▽=0  
 ▽/C=0

GENERAL TOLERANCES (UNLESS SPECIFIED)

	mm	INCH
4 PLACES	±----	±----
3 PLACES	±----	±----
2 PLACES	±----	±.01
1 PLACE	±0.3	±----
ANGULAR ±----°		

DRAFT WHERE APPLICABLE MUST REMAIN WITHIN DIMENSIONS

DIMENSION STYLE IN/MM

SCALE NTS

DESIGN UNITS INCH

THIRD ANGLE PROJECTION

DRAWN BY DATE  
 LHARTMAN 2009/08/26

CHECKED BY DATE  
 BWOODMAN 2009/08/27

APPROVED BY DATE  
 JFMURPHY 2009/08/27

MATERIAL NO. SEE TABLE

SIZE A

TITLE  
 MICRO-CHANGE PROFIBUS 5P MA 90 REV KEY - D-SUB #22/2 SHLD PURPLE PUR

MOLEX INCORPORATED

DOCUMENT NO. SD-120098-011

SHEET NO. 1 OF 1

THIS DRAWING CONTAINS INFORMATION THAT IS PROPRIETARY TO MOLEX INCORPORATED AND SHOULD NOT BE USED WITHOUT WRITTEN PERMISSION

6

5

4

3

2

1

E

E

D

D

C

C

B

B

A

A