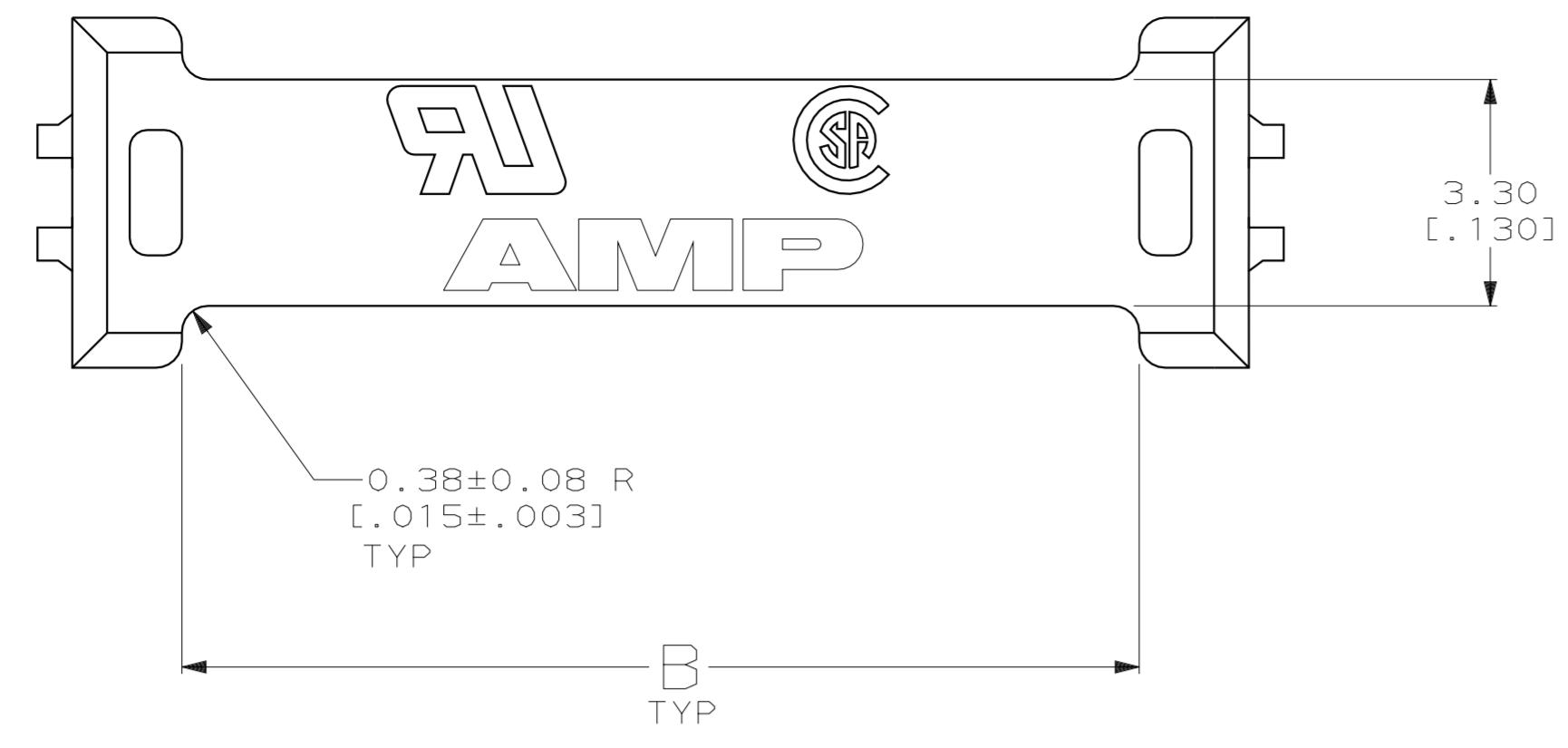
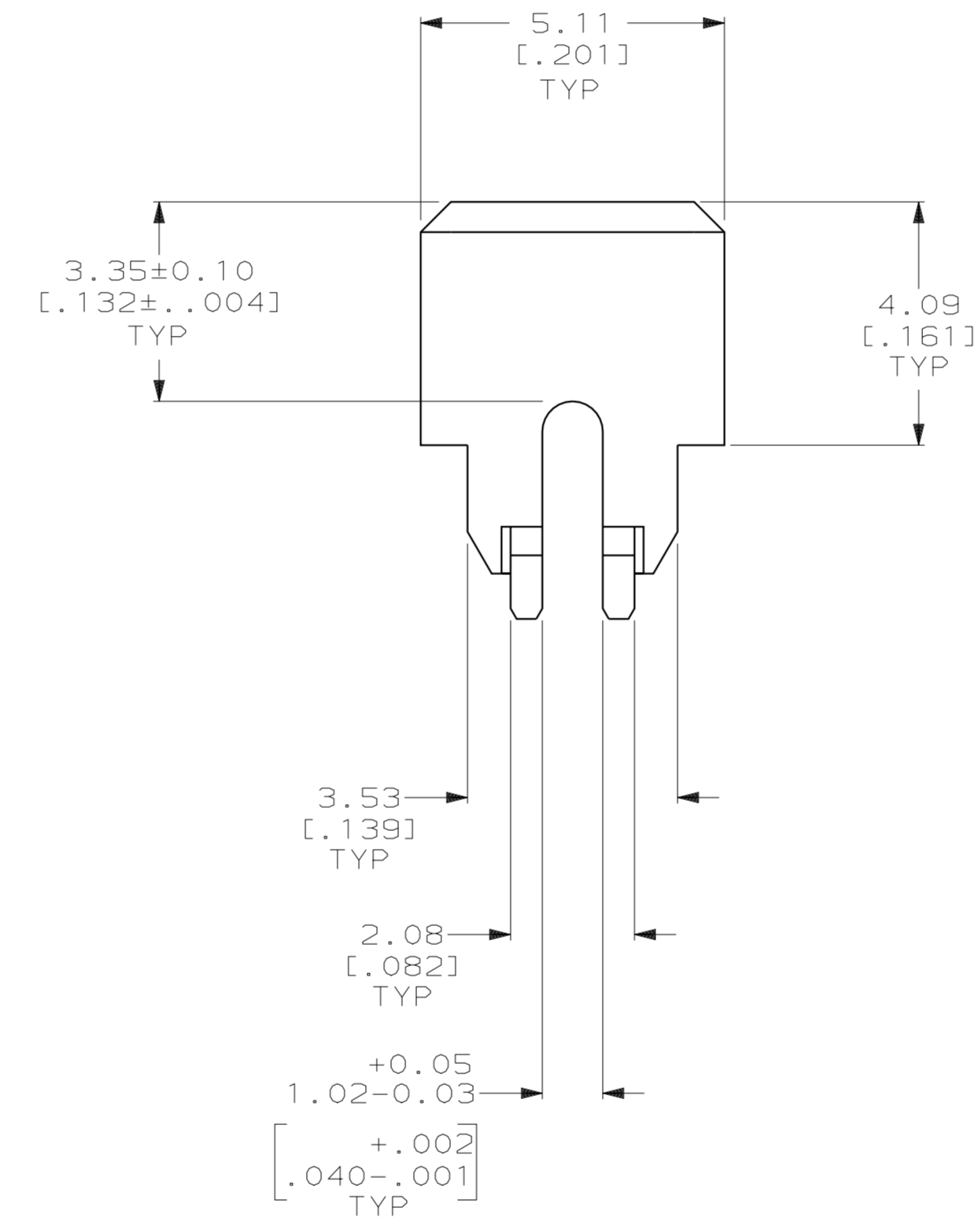
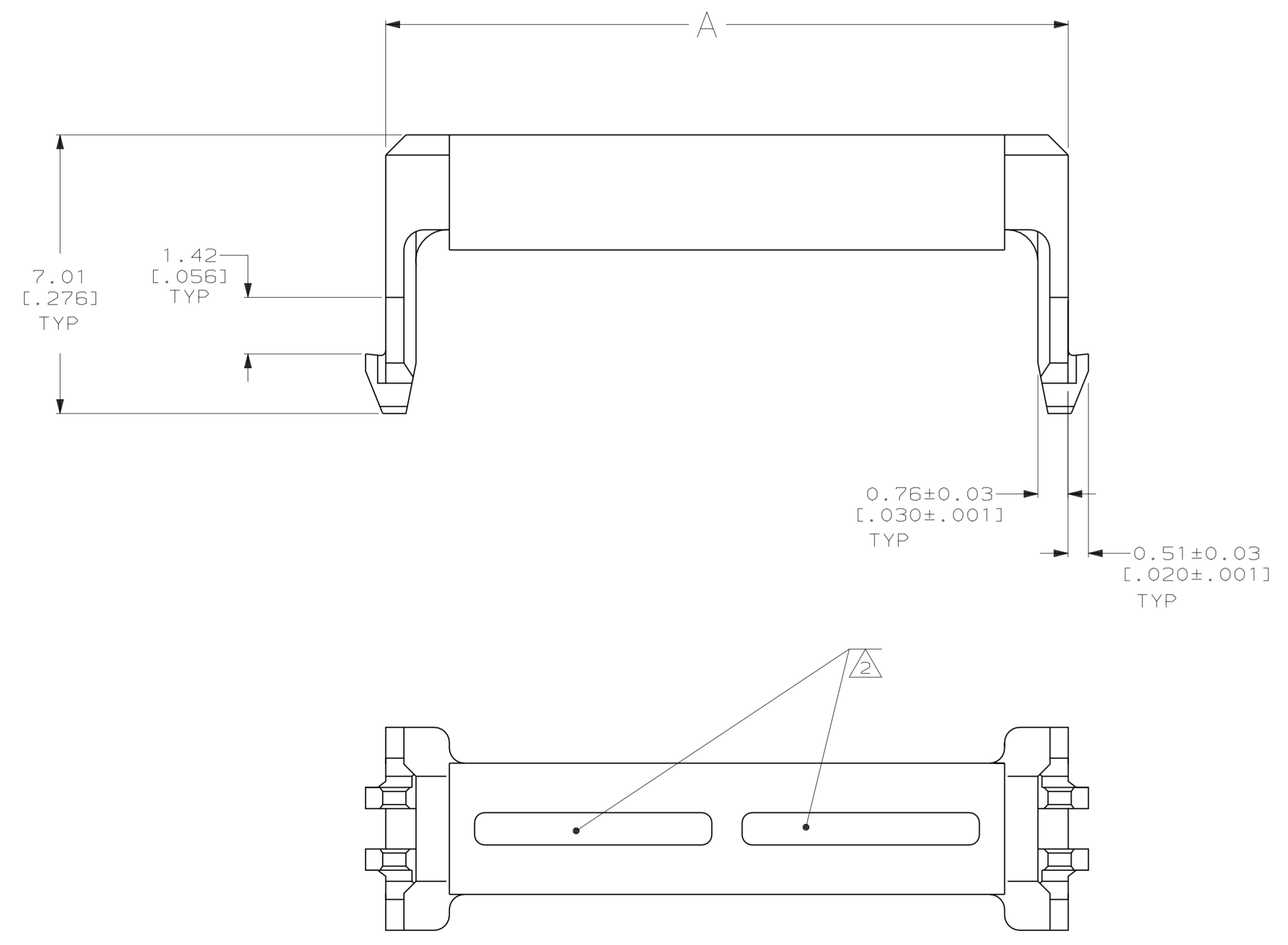


REVISIONS							
LOC	DIST	P	ZONE	LTR	DESCRIPTION	DATE	APPD
GP	00				K1 REVISED PER ECO 05-008301	11MAY06	JG



- 1 POLYESTER, BLACK, UL94 V-0.
- 2 CORING CONFIGURATION VARIES BY PART SIZE.
- 3. MAXIMUM ACCEPTABLE CABLE THICKNESS 0.97 [.038].



11.94 [.470]	15.14 [.596]	12	1-111614-7
7.98 [.314]	11.18 [.440]	8	1-111614-6
21.97 [.865]	25.17 [.991]	22	1-111614-5
67.97 [2.676]	71.17 [2.802]	68	1-111614-4
63.96 [2.518]	67.18 [2.645]	64	1-111614-3
59.97 [2.361]	63.17 [2.487]	60	1-111614-2
49.96 [1.967]	53.16 [2.093]	50	1-111614-1
43.97 [1.731]	47.17 [1.857]	44	1-111614-0
39.98 [1.574]	43.18 [1.700]	40	111614-9
33.96 [1.337]	37.16 [1.463]	34	111614-8
29.97 [1.180]	33.17 [1.306]	30	111614-7
25.96 [1.022]	29.16 [1.148]	26	111614-6
23.98 [.944]	27.18 [1.070]	24	111614-5
19.96 [.786]	23.16 [.912]	20	111614-4
15.98 [.629]	19.18 [.755]	16	111614-3
13.97 [.550]	17.17 [.676]	14	111614-2
9.96 [.392]	13.16 [.518]	10	111614-1
B	A	NO OF POSN	PART NO

MATERIAL		FINISH		WEIGHT		SIZE		CAGE CODE		DRAWING NO	
1		-		-		D		00779		111614	
SCALE 10:1		SHEET 1 OF 1		PART NO		NAME		AMP Incorporated		Harrisburg, PA 17105-3608	
DR 02-21-92 C.OBERMAN		CHK 03-2-92 R.STONE		APPD 03-2-92 R.LOCATI		APPD 03-3-92 D.HOFFMAN		PRODUCT SPEC 108-1372		APPLICATION SPEC	
DO NOT SCALE PRINT. UNLESS SPECIFIED DIMENSIONS IN mm [INCHES] TOLERANCES ON: 2 PLC DEC ± 0.05 (.002) 3 PLC DEC ± - ANGLES ± -		AMP		AMP Incorporated		Harrisburg, PA 17105-3608		STRAIN RELIEF, 2mm CL, AMP-LATCH		CUSTOMER DRAWING	