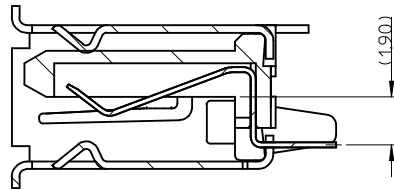
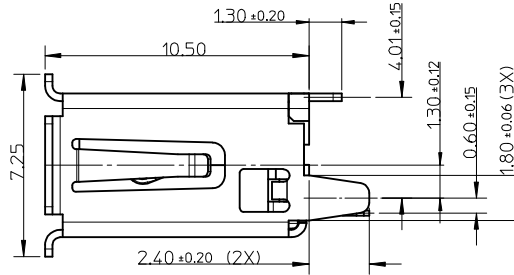
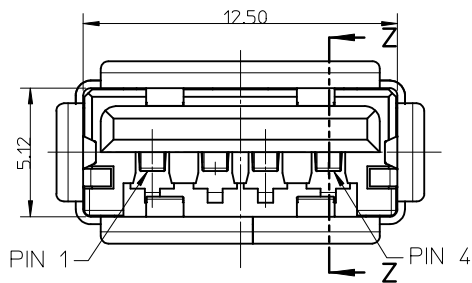


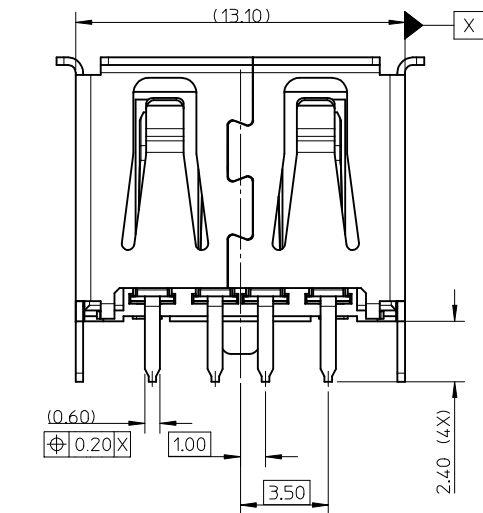
COMPONENT MOUNT SIDE
PWB THICKNESS 1.60MM
(DEFAULT TOLERANCE ±0.05MM)

NOTE :

- MATERIAL :
HOUSING : THERMOPLASTIC 30% GLASS FILLED , BLACK.UJ94V-0
TERMINAL : COPPER ALLOY THICKNESS 0.20mm±0.02.
SHELL : STAINLESS STEEL THICKNESS 0.30mm.
- PLATING :
TERMINAL:
CONTACT AREA : GOLD 0.76 MICROMETER MIN.
SOLDERING AREA : MATTE TIN 3.8 MICROMETER MIN.
UNDERPLATING : NICKEL 1.27 MICROMETER MIN.
SHELL:
OVERALL SOLDERING NICKEL 1.27 MICROMETER MIN.
- PRODUCT CHARACTERS SPEC: PER PS-105057-001.
- PACKAGE INFORMATION: PER PK-105057-005.
- THE PART COMPLIANT TO RoHS DIRECTIVE 2011/95/EU AND ELV 2000/53/EC.



SECTION Z-Z



RELEASE EC NO: SH2016-0099 DRW: F YANG05 2015/09/18 CHKD: APPR: RZHANG 2015/10/06 REV	QUALITY SYMBOLS	GENERAL TOLERANCES (UNLESS SPECIFIED)		DIMENSION STYLE MM ONLY		SCALE 1:1	DESIGN UNITS METRIC	THIRD ANGLE PROJECTION																										
	$\nabla_A = 0$ $\nabla_C = 0$ $\nabla_F = 0$	<table border="1"> <tr> <th></th> <th>mm</th> <th>INCH</th> </tr> <tr> <td>4 PLACES</td> <td>± ---</td> <td>± ---</td> </tr> <tr> <td>3 PLACES</td> <td>± ---</td> <td>± ---</td> </tr> <tr> <td>2 PLACES</td> <td>± 0.25</td> <td>± ---</td> </tr> <tr> <td>1 PLACE</td> <td>± 0.25</td> <td>± ---</td> </tr> <tr> <td>0 PLACE</td> <td>± ---</td> <td>± ---</td> </tr> </table>		mm	INCH	4 PLACES	± ---	± ---	3 PLACES	± ---	± ---	2 PLACES	± 0.25	± ---	1 PLACE	± 0.25	± ---	0 PLACE	± ---	± ---	<table border="1"> <tr> <th>mm</th> <th>INCH</th> </tr> <tr> <td>± 0.25</td> <td>± 0.010</td> </tr> <tr> <td>± 0.10</td> <td>± 0.004</td> </tr> <tr> <td>± 0.05</td> <td>± 0.002</td> </tr> </table>	mm	INCH	± 0.25	± 0.010	± 0.10	± 0.004	± 0.05	± 0.002	DRAWN BY FYANG05	DATE 2015/06/12	TITLE VERTICKAL USB A TYPE		
		mm	INCH																															
	4 PLACES	± ---	± ---																															
3 PLACES	± ---	± ---																																
2 PLACES	± 0.25	± ---																																
1 PLACE	± 0.25	± ---																																
0 PLACE	± ---	± ---																																
mm	INCH																																	
± 0.25	± 0.010																																	
± 0.10	± 0.004																																	
± 0.05	± 0.002																																	
A	DRAFT WHERE APPLICABLE MUST REMAIN WITHIN DIMENSIONS	MATERIAL NO. 1050570005	APPROVED BY RZHANG	DATE 2015/10/06																														
		DRAFT WHERE APPLICABLE MUST REMAIN WITHIN DIMENSIONS	SIZE A3	THIS DRAWING CONTAINS INFORMATION THAT IS PROPRIETARY TO MOLEX INCORPORATED AND SHOULD NOT BE USED WITHOUT WRITTEN PERMISSION			DOCUMENT NO. SD-105057-005	SHEET NO. 1 OF 1																										