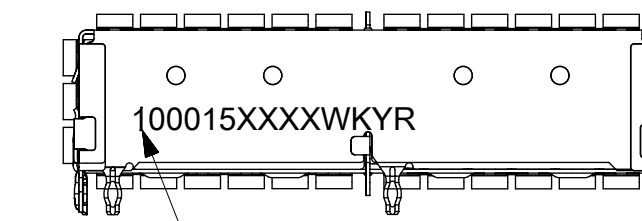
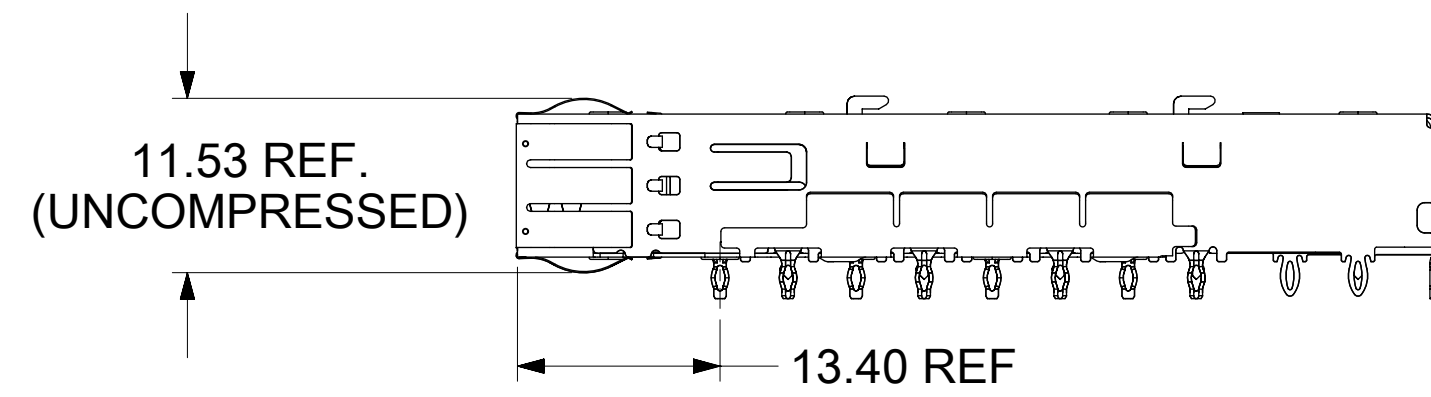
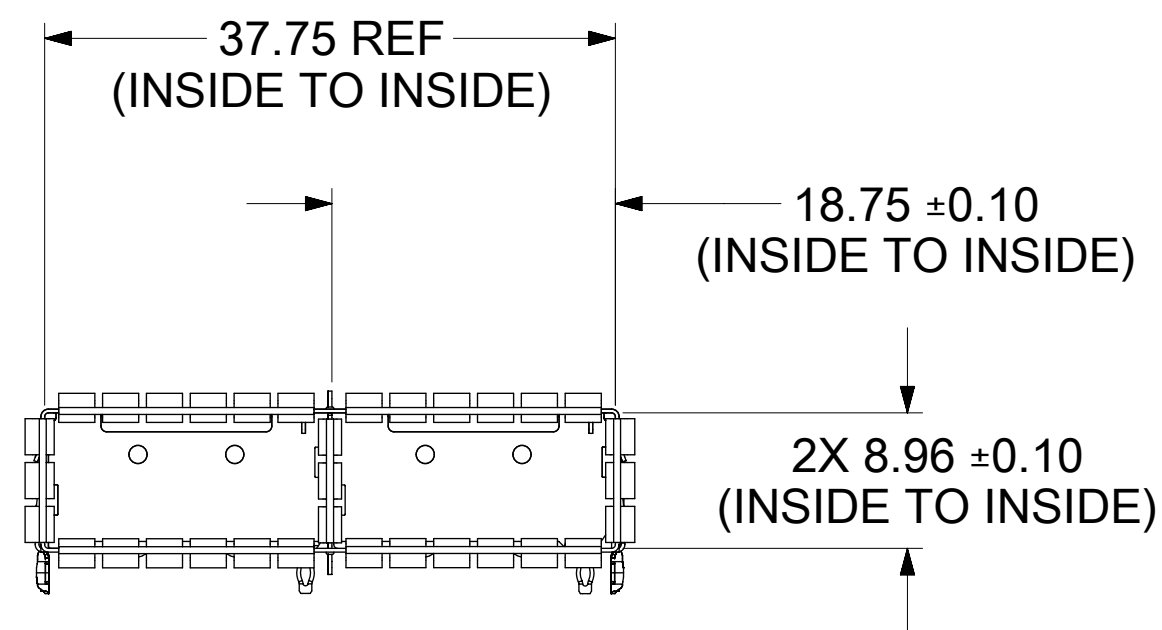
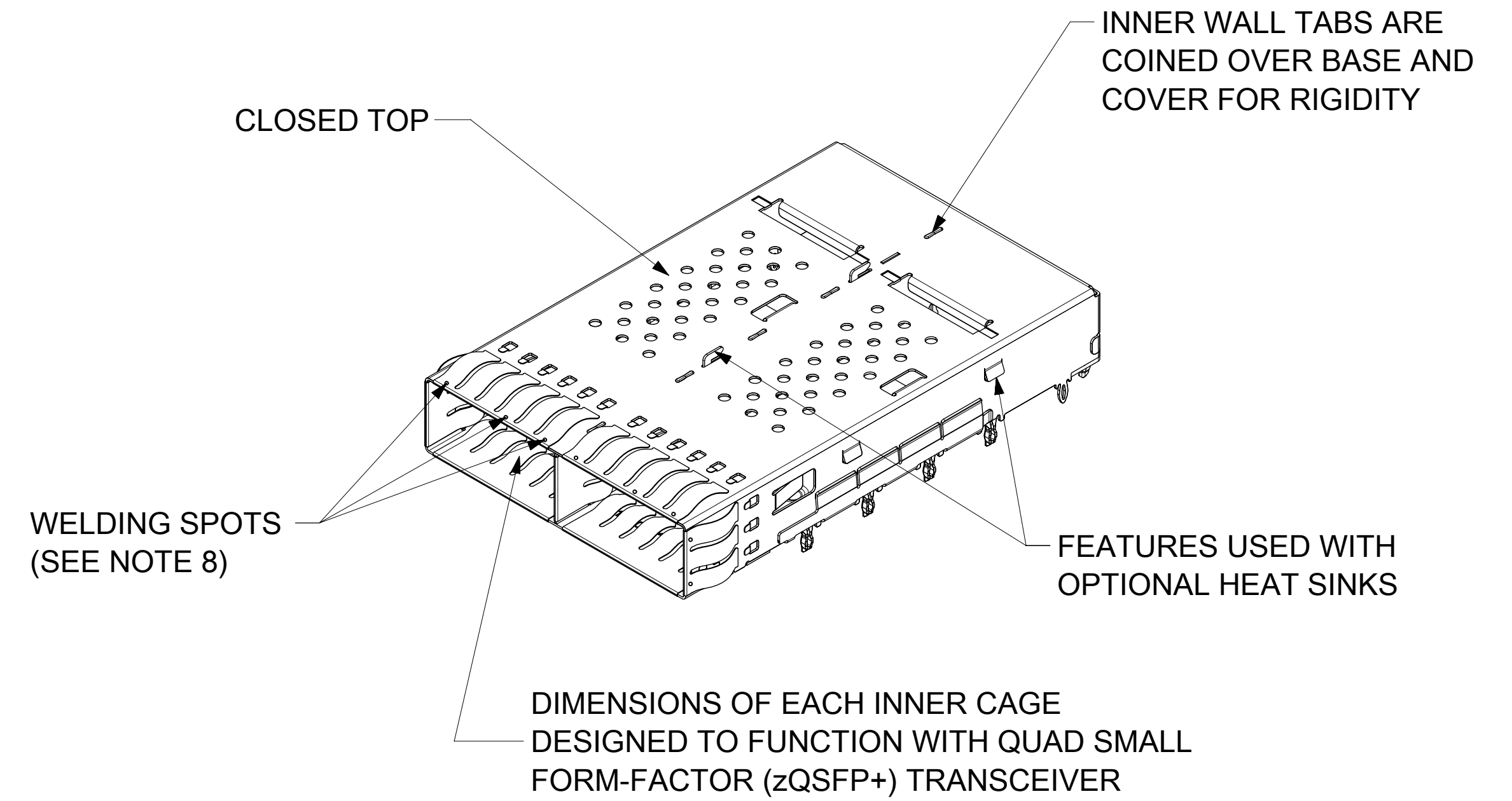
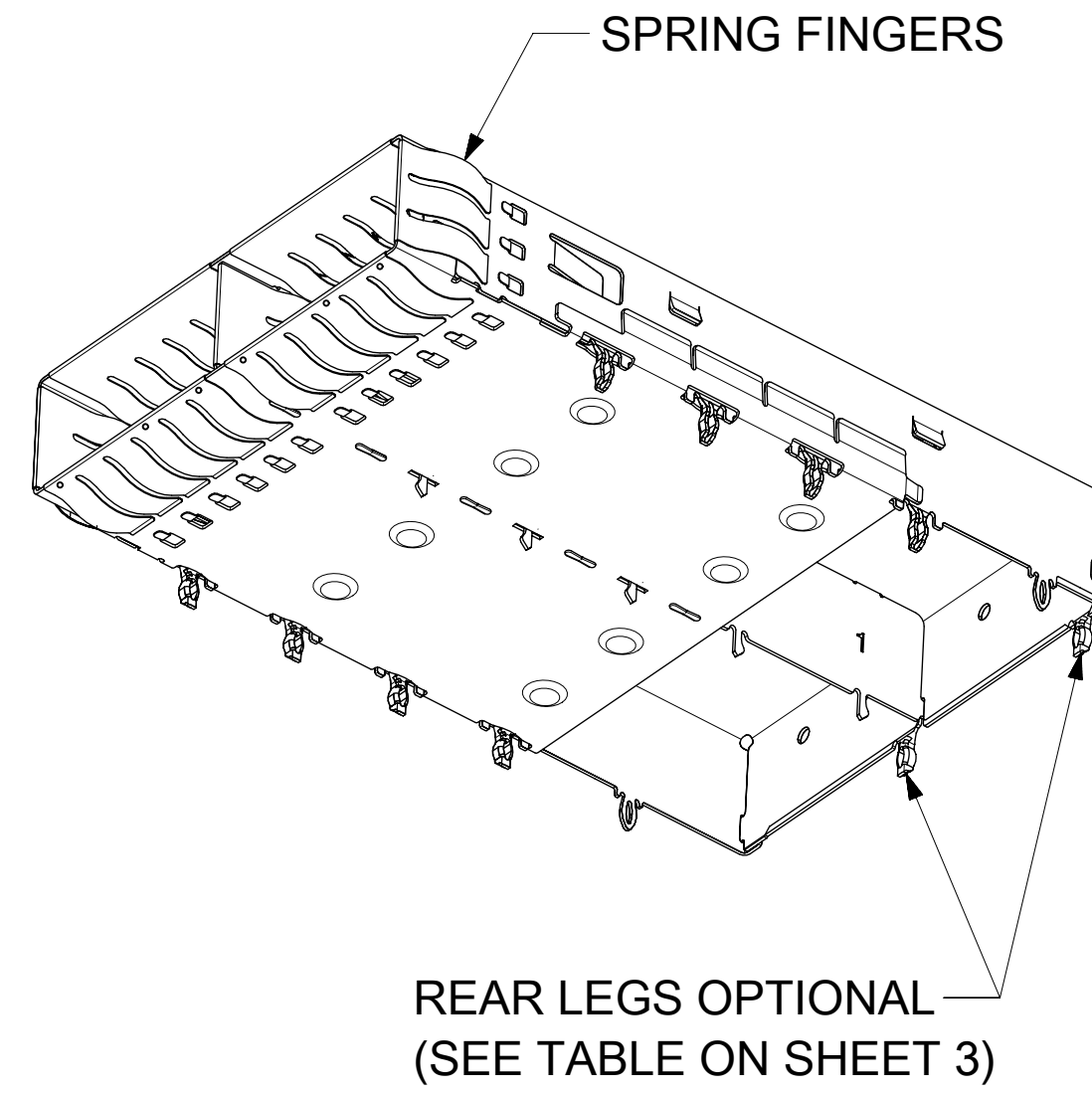
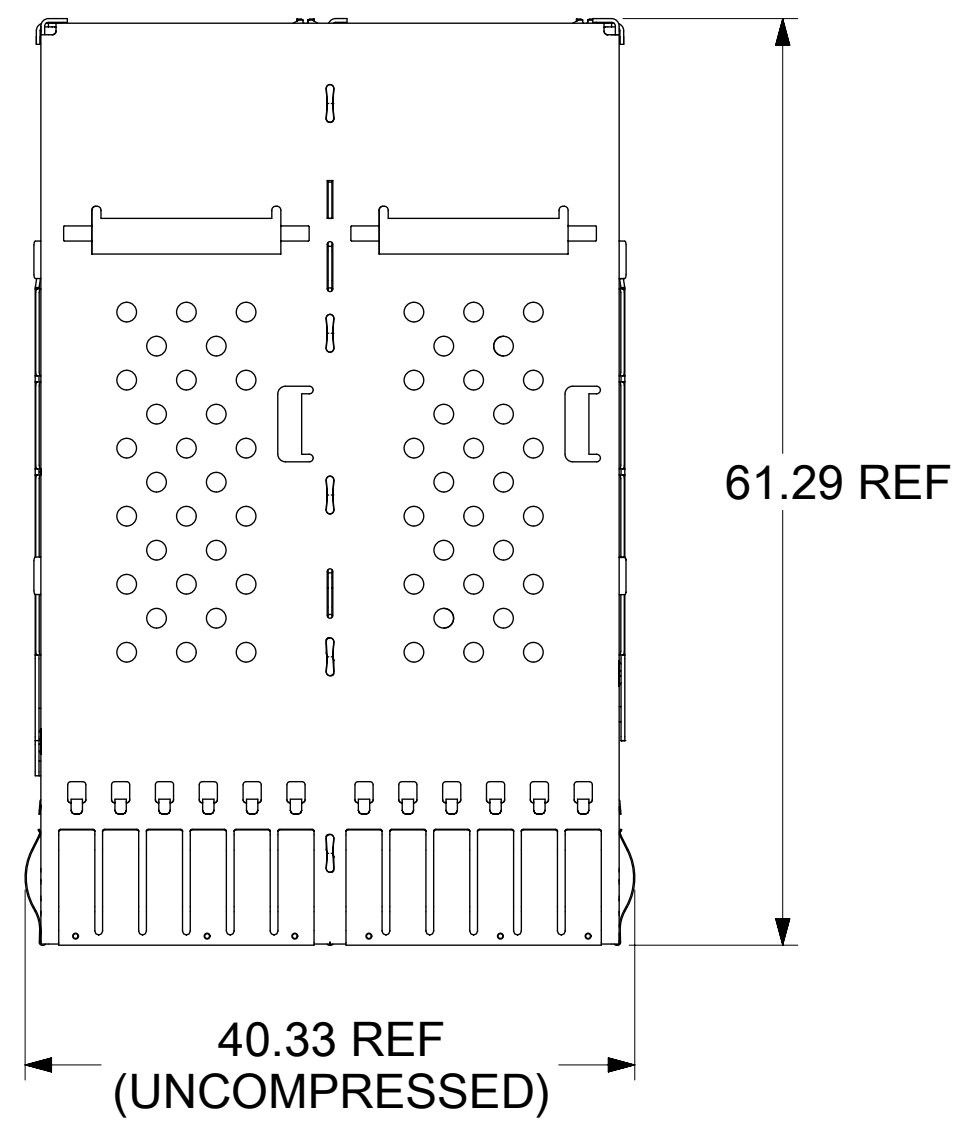


BASIC CAGE DETAILS

1000159242 SHOWN



- NOTES:
- MATERIAL: CAGE: STAINLESS STEEL
 CENTER WALLS: STAINLESS STEEL
 SPRING FINGERS: STAINLESS STEEL
 HEAT SINKS: NICKEL PLATED ALUMINUM
 HEAT SINK CLIP: STAINLESS STEEL
 LIGHT PIPES: POLYCARBONATE (UL 94V-0)
 - DRAWING APPLIES TO ALL P/N'S SHOWN ON PAGE 3
 - DURING FINAL INSPECTION, CAGE LEG LOCATIONS AND STRAIGHTNESS MUST BE CHECKED USING APPROPRIATE GO - NO GO GAGE
 - DURING FINAL INSPECTION, CAGE MUST BE INSPECTED TO MAKE SURE LEG CONFIGURATIONS AND PART NUMBERS ARE CORRECT, USE SHEETS 3, 4 AND 5
 - PARTS TO BE INSPECTED PER MOLEX COSMETIC SPEC WI-HP-7-2774 (CLASS B UNLESS OTHERWISE SPECIFIED)
 - PRESS-FIT LEGS 2.44 LONG -
 1.57 MINIMUM PCB THICKNESS FOR SINGLE SIDED USE.
 2.70 MINIMUM PCB THICKNESS FOR BELLY TO BELLY USE.
 - NO RoHS EXEMPTIONS
 - WELD SPOTS MAY SHOW SLIGHT MATERIAL DISCOLORATION

WEEK/YEAR DATE CODE TABLE	
WK	WEEK OF THE YEAR 01 THRU 52 (EXAMPLE: 01= FIRST WEEK OF YEAR 52= LAST WEEK OF YEAR)
YR	22, 23, 24 ETC.. (EXAMPLE: YEAR 2022= 22)

FUNCTIONAL SYMBOLS $F_A = 0$ $F_C = 0$ $F_P = 0$	THIS DRAWING CONTAINS INFORMATION THAT IS PROPRIETARY TO MOLEX ELECTRONIC TECHNOLOGIES, LLC AND SHOULD NOT BE USED WITHOUT WRITTEN PERMISSION	SCALE		CURRENT REV DESC: SEE REV TABLE	
	DIMENSION UNITS	mm	SCALE	2:1	
	GENERAL TOLERANCES (UNLESS SPECIFIED)				
	ANGULAR TOL $\pm 2.0^\circ$				
DIVISIONAL SYMBOLS	4 PLACES	\pm	EC NO: 698869	DRWN: VISHNM2	2022/02/17
	3 PLACES	\pm	CHK'D: TKUMARKC	2022/03/16	
	2 PLACES	± 0.13	APPR: JCHIANG	2022/03/21	
	1 PLACE	± 0.25	INITIAL REVISION:		
	0 PLACES	\pm	DRWN: VISHNM2	2022/02/17	
			APPR: JCHIANG	2022/03/21	
DRAFT WHERE APPLICABLE MUST REMAIN WITHIN DIMENSIONS		THIRD ANGLE PROJECTION	DRAWING	SERIES	MATERIAL NUMBER
			D-SIZE	100015	SEE P/N TABLE
			GENERAL MARKET		
					SHEET NUMBER
					1 OF 7

molex

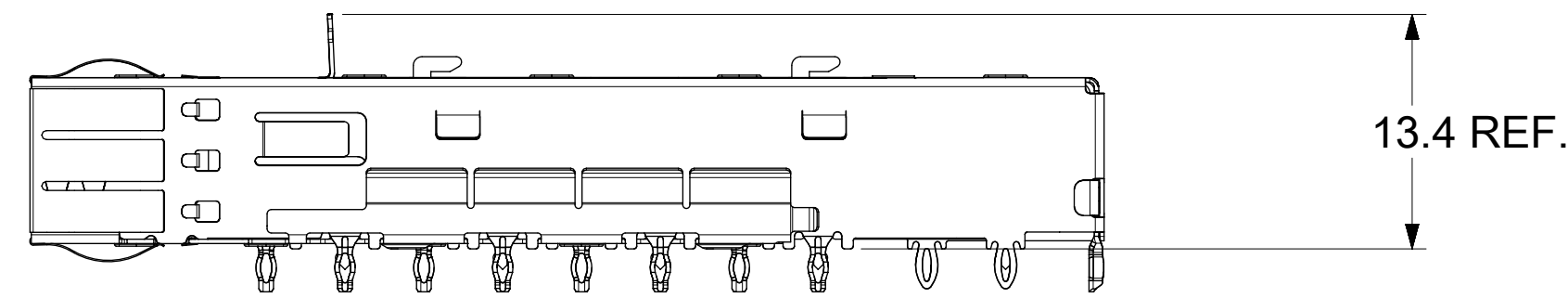
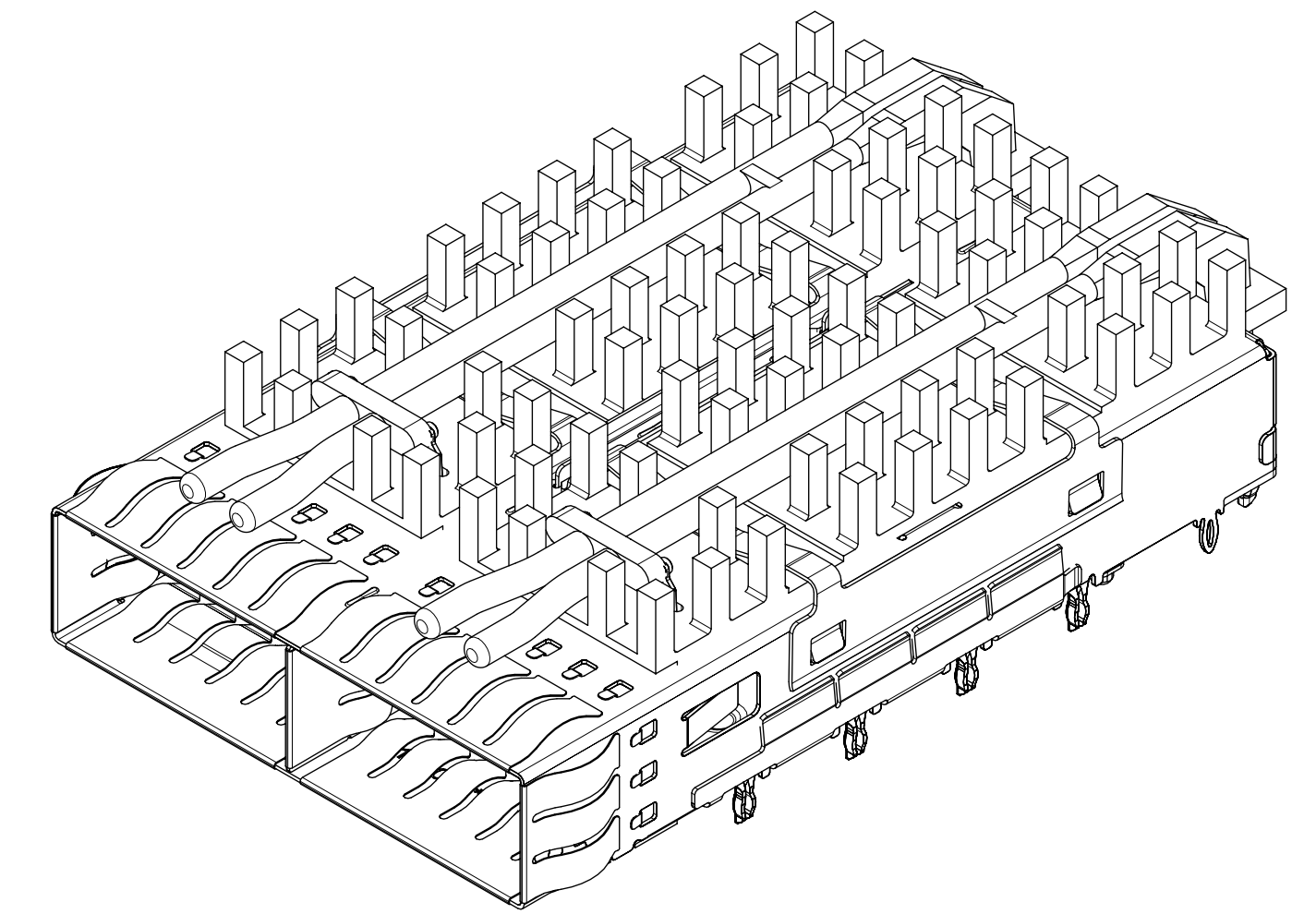
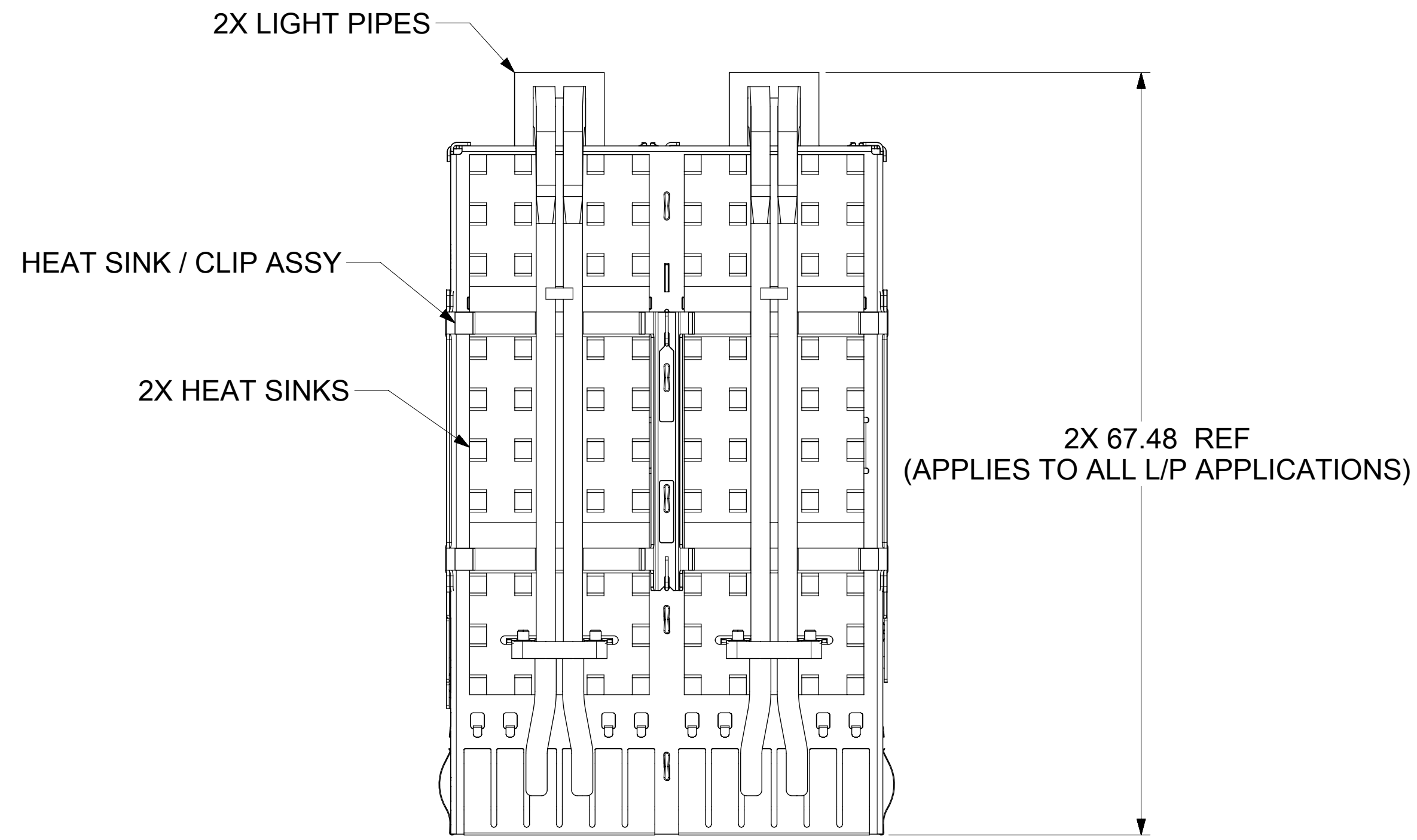
ZQSFP+ 1X2 GANGED CAGE
 ASSY'S W/ SS TAB TYPE SPRING FINGER, H/S & L/P
 OPTIONS

PRODUCT CUSTOMER DRAWING

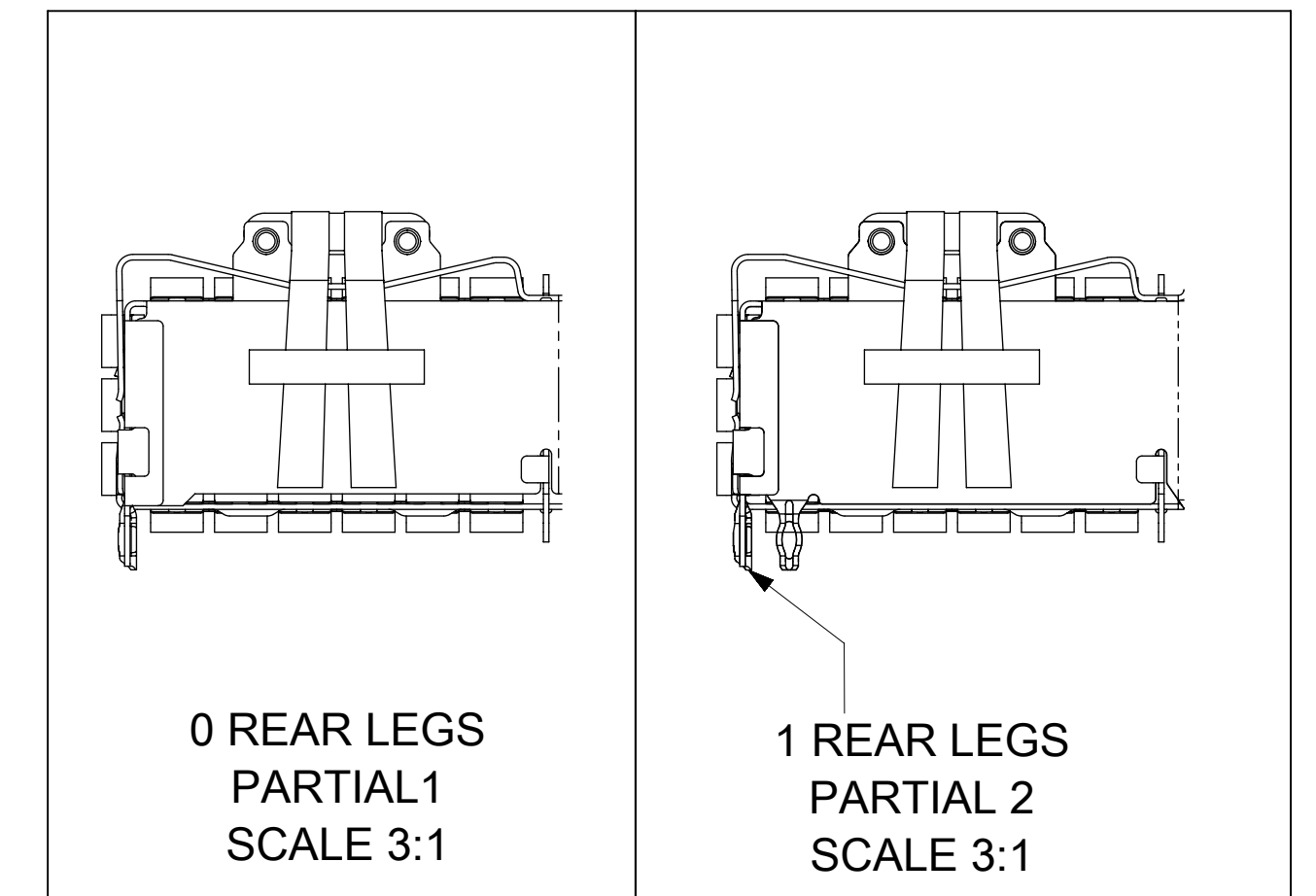
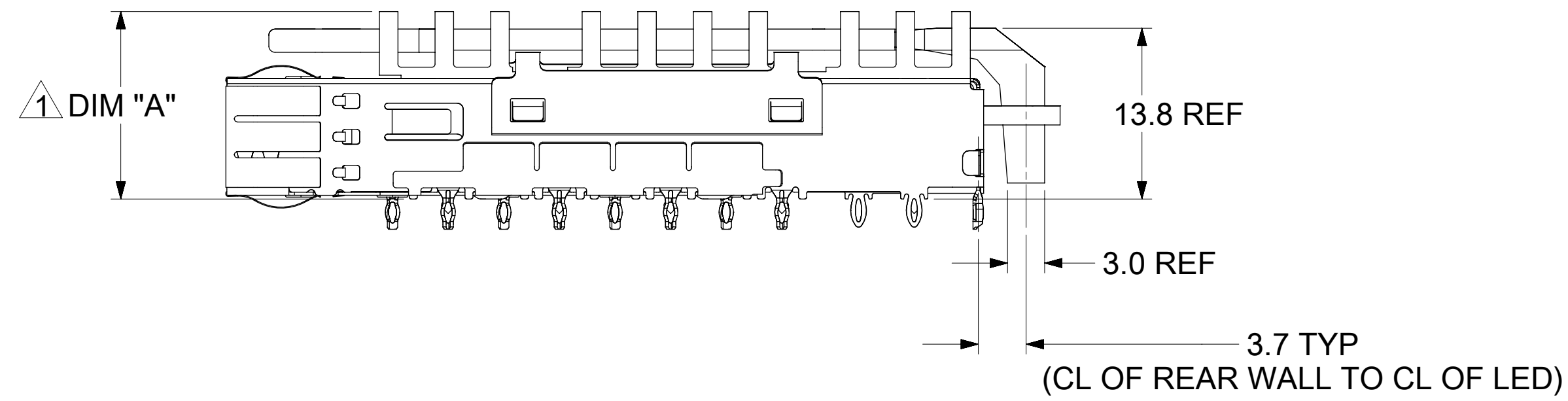
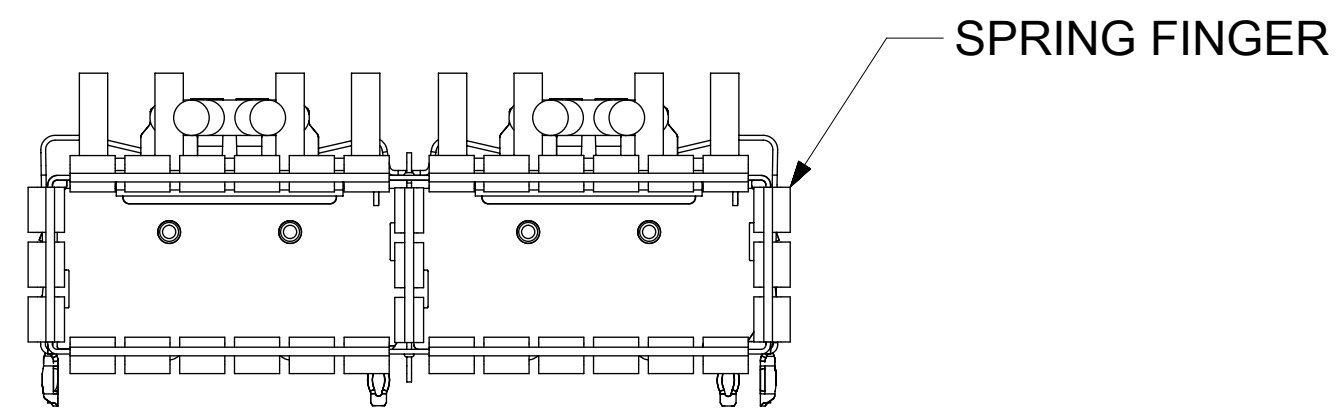
DOCUMENT NUMBER	DOC TYPE	DOC PART	REVISION
1000153200	PSD	ASY	A

CAGE ASSEMBLY OPTIONS

1000159544 SHOWN



REAR LEG OPTIONS

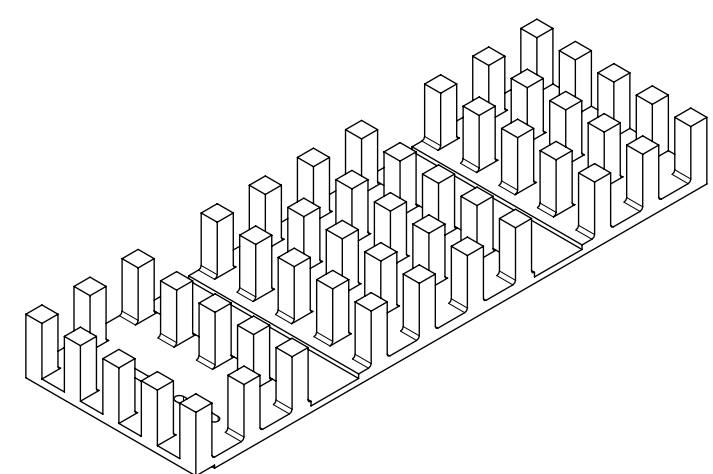


HEATSINK HEIGHT OPTIONS

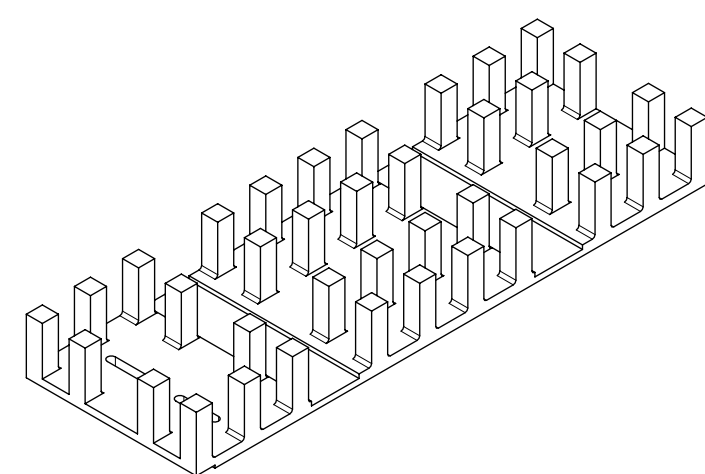
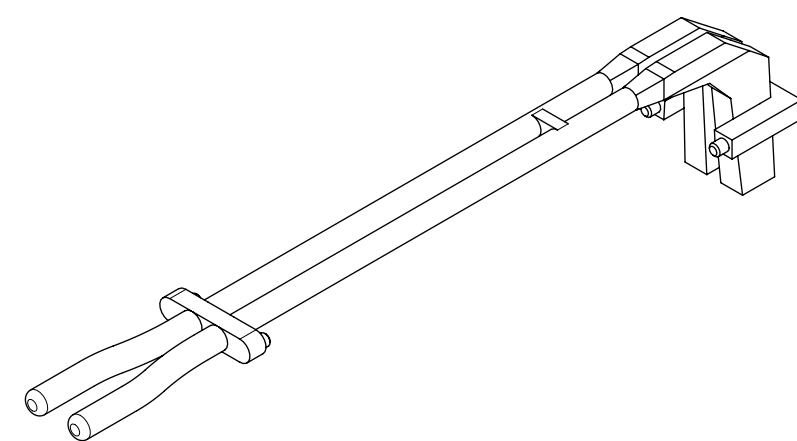
OVERALL HEAT SINK HEIGHT	DIM "A"
PCI	13.7 REF
SAN	16.0 REF
NET	23.0 REF

NOTE:
 ▲ HEIGHT OF HEAT SINK WITH MODULE INSERTED.
 DIMENSION MAY BE LESS DUE TO MODULE AND HEAT SINK VARIATIONS

HEATSINK USED WITHOUT LIGHTPIPE

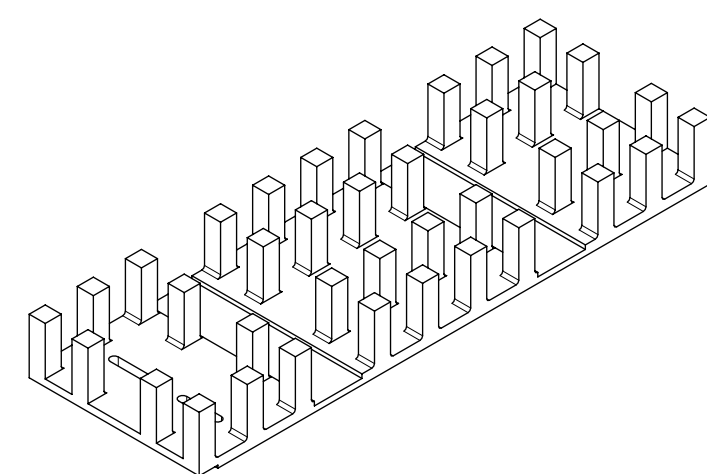
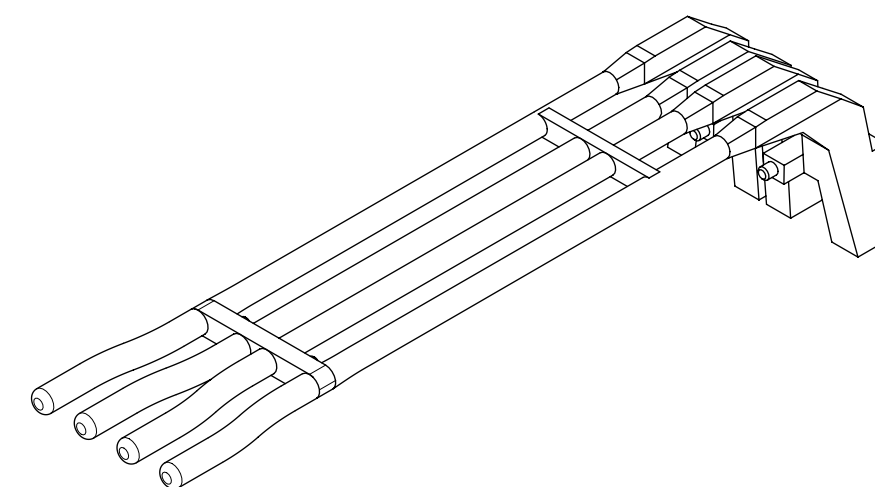


DUAL LIGHT PIPE



HEATSINK

QUAD LIGHT PIPE



HEATSINK

FUNCTIONAL SYMBOLS FA = 0 FE = 0 FP = 0 DIVISIONAL SYMBOLS	THIS DRAWING CONTAINS INFORMATION THAT IS PROPRIETARY TO MOLEX ELECTRONIC TECHNOLOGIES, LLC AND SHOULD NOT BE USED WITHOUT WRITTEN PERMISSION		CURRENT REV DESC: SEE REV TABLE	
	DIMENSION UNITS	SCALE	EC NO: 698869	
	mm	2:1	DRWN: VISHNM2	2022/02/17
	GENERAL TOLERANCES (UNLESS SPECIFIED)		CHK'D: TKUMARKC	2022/03/16
ANGULAR TOL ± 2.0°		APPR: JCHIANG	2022/03/21	
4 PLACES ±		INITIAL REVISION:		
3 PLACES ±		DRWN: VISHNM2	2022/02/17	
2 PLACES ± 0.13		APPR: JCHIANG	2022/03/21	
1 PLACE ± 0.25		THIRD ANGLE PROJECTION		
0 PLACES ±		DRAWING	SERIES	
DRAFT WHERE APPLICABLE MUST REMAIN WITHIN DIMENSIONS		D-SIZE	100015	
DOCUMENT NUMBER		CUSTOMER	SHEET NUMBER	
1000153200		GENERAL MARKET	2 OF 7	

molex

ZQSFP+ 1X2 GANGED CAGE
 ASSY'S W/ SS TAB TYPE SPRING FINGER, H/S & L/P
 OPTIONS

PRODUCT CUSTOMER DRAWING

DOCUMENT NUMBER DOC TYPE DOC PART REVISION

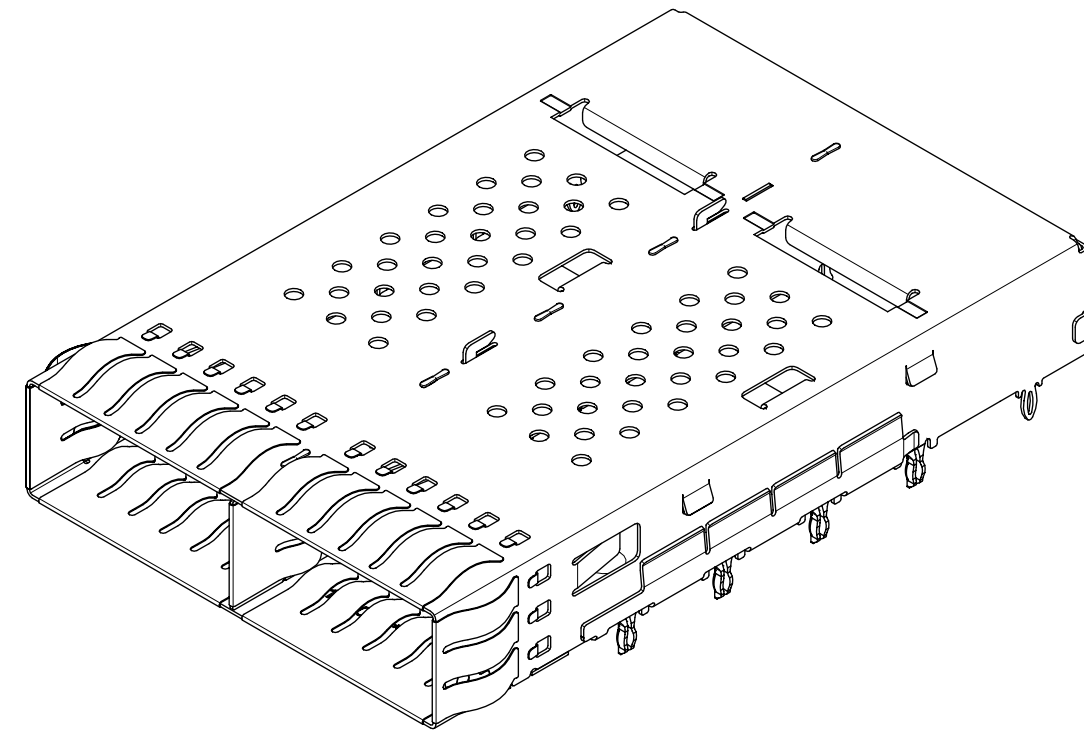
1000153200 PSD ASY A

MATERIAL NUMBER CUSTOMER

SEE P/N TABLE GENERAL MARKET

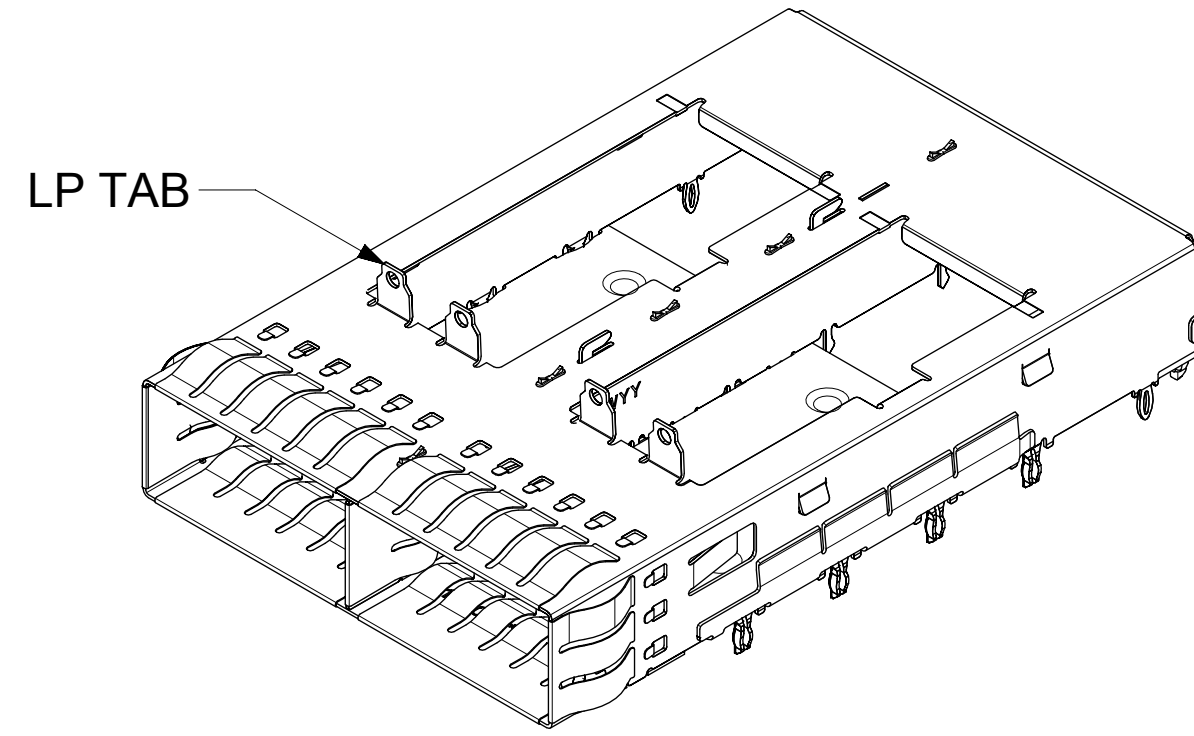
PART NUMBER SELECTION

NO HEATSINKS
NO LIGHT PIPES
CLOSED TOP



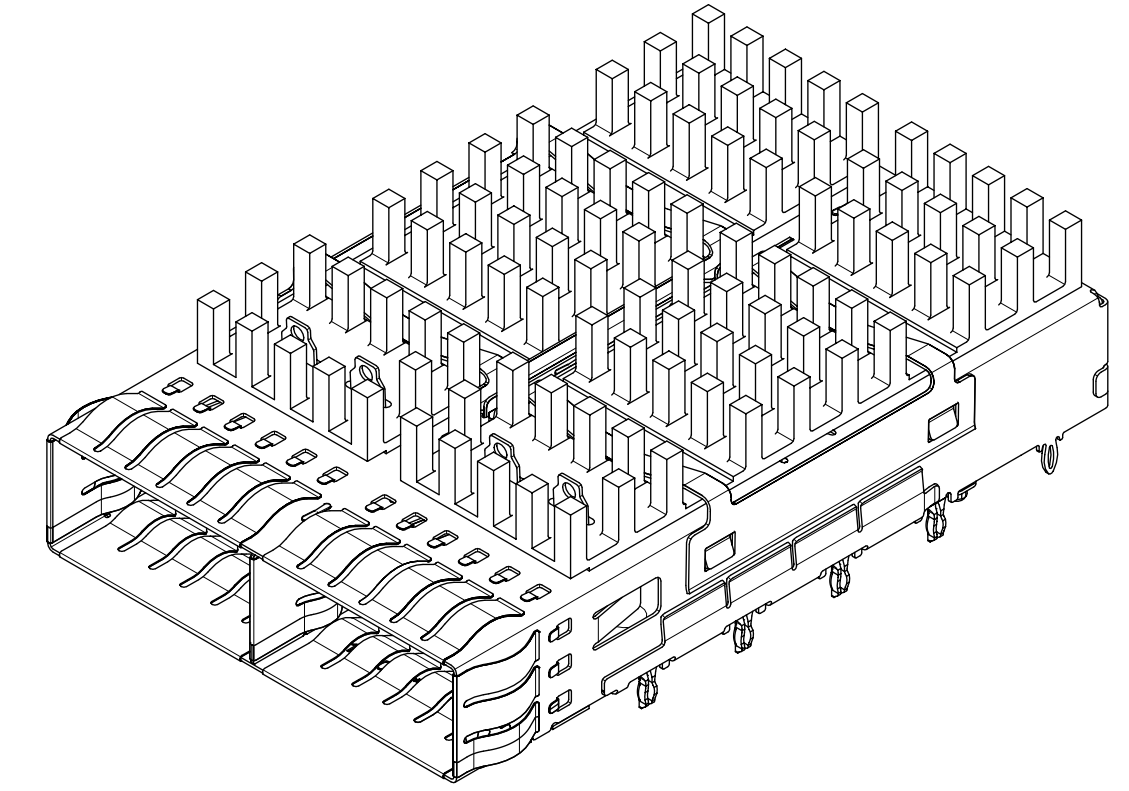
MOLEX P/N W/ SPRING FINGERS	#OF REAR LEGS PER PORT
1000159242	1

NO HEATSINKS
NO LIGHT PIPES
OPEN TOP



MOLEX P/N W/ SPRING FINGERS	#OF REAR LEGS PER PORT	LP TAB
1000159250	0	YES
1000153252	1	YES

WITH HEATSINKS
NO LIGHT PIPES

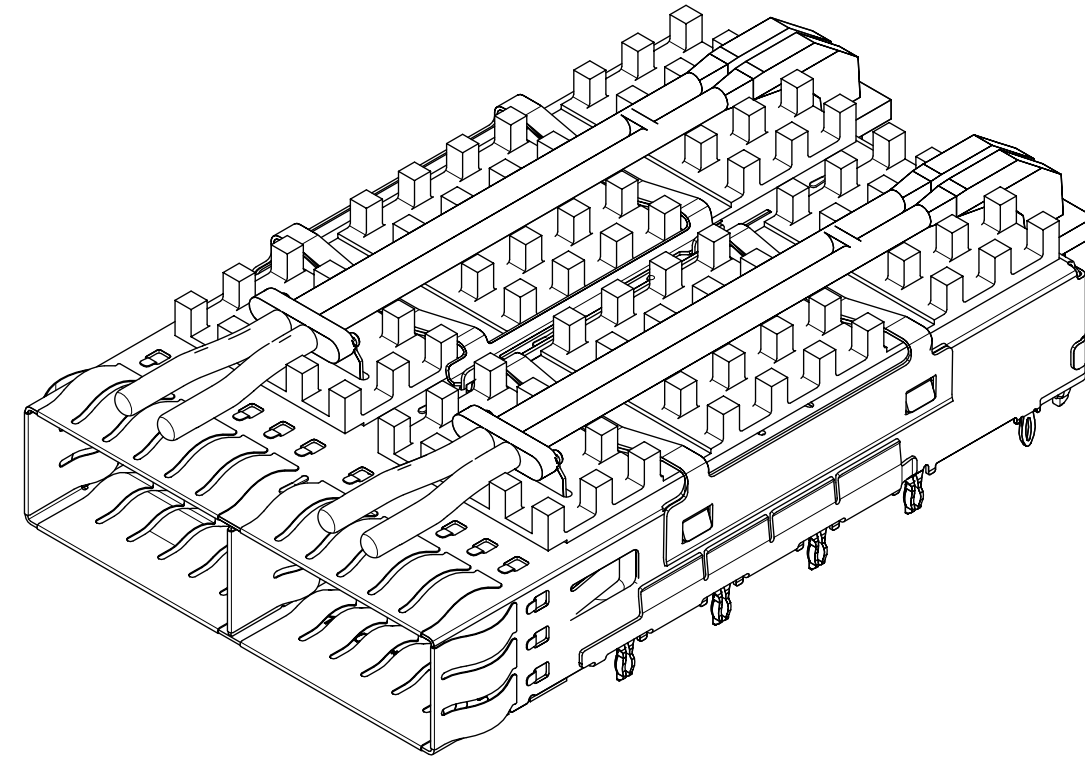


MOLEX P/N	HEAT SINK	#OF REAR LEGS PER PORT
1000153340	PCI	0
1000159341	SAN	0
1000159242	NET	0
1000153343	PCI	1
1000153344	SAN	1
1000153345	NET	1

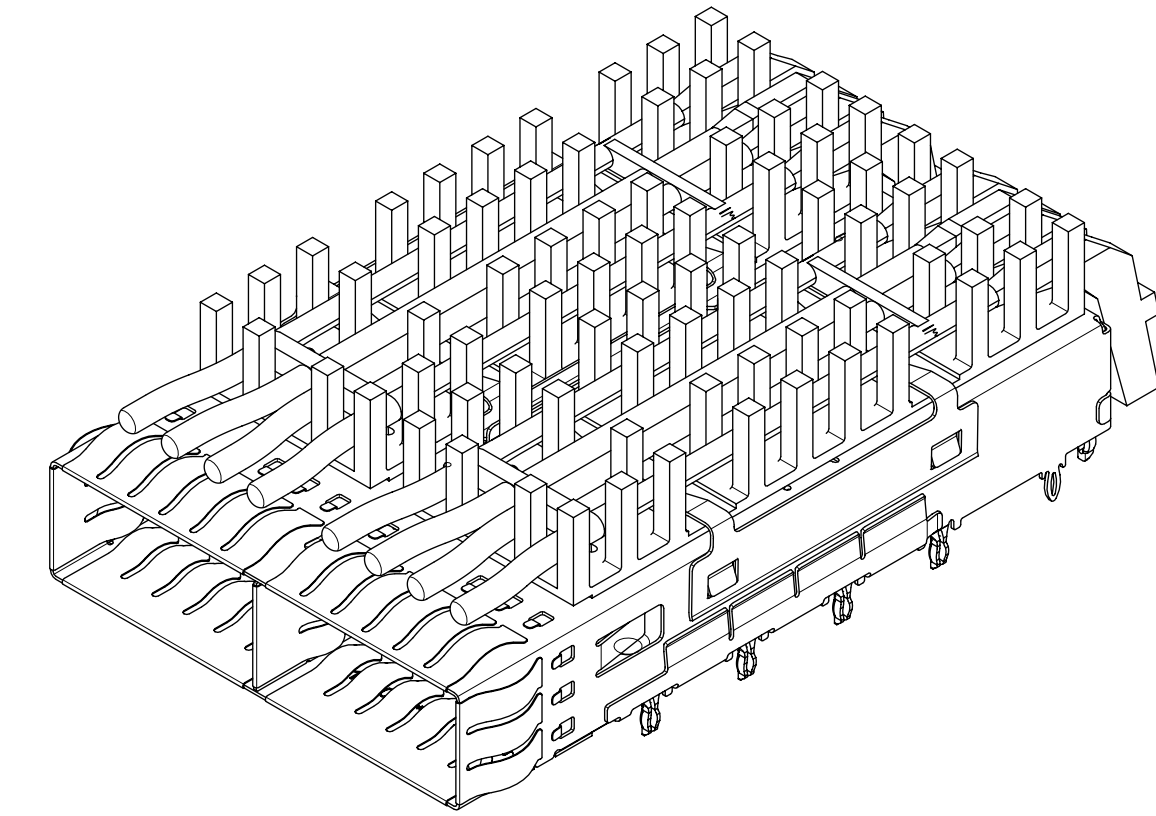
WITH HEATSINKS AND LIGHT PIPES

MOLEX P/N	LIGHTPIPES	HEATSINKS	#OF REAR LEGS PER PORT	LP SHIELD
1000153444	DUAL	SAN	0	0
1000153446	QUAD	PCI	0	0
1000153447	QUAD	SAN	0	0
1000159544	DUAL	SAN	1	0

DUAL LIGHT PIPE



QUAD LIGHT PIPE

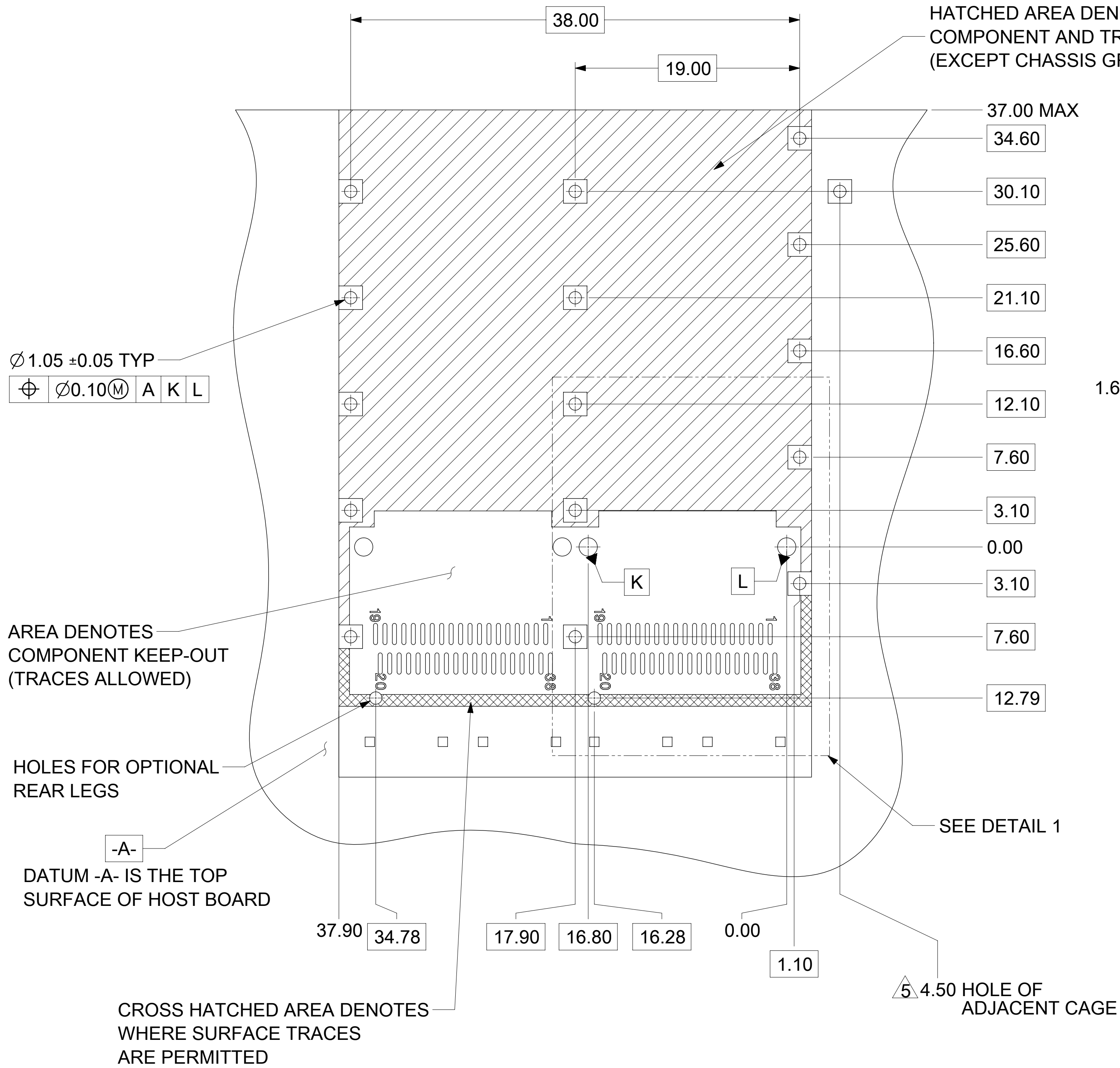


FUNCTIONAL SYMBOLS FA = 0 EC = 0 EP = 0 DIVISIONAL SYMBOLS	THIS DRAWING CONTAINS INFORMATION THAT IS PROPRIETARY TO MOLEX ELECTRONIC TECHNOLOGIES, LLC AND SHOULD NOT BE USED WITHOUT WRITTEN PERMISSION		DIMENSION UNITS: mm		SCALE: 2:1		CURRENT REV DESC: SEE REV TABLE						
	GENERAL TOLERANCES (UNLESS SPECIFIED)		ANGULAR TOL ± 2.0°		EC NO: 698869		DRWN: VISHNM2 2022/02/17					ZQSFP+ 1X2 GANGED CAGE ASSY'S W/ SS TAB TYPE SPRING FINGER, H/S & L/P OPTIONS	
	4 PLACES ±		3 PLACES ±		CHK'D: TKUMARKC 2022/03/16		APPR: JCHIANG 2022/03/21		PRODUCT CUSTOMER DRAWING				
	2 PLACES ± 0.13		1 PLACE ± 0.25		INITIAL REVISION:		DRWN: VISHNM2 2022/02/17					APPR: JCHIANG 2022/03/21	
0 PLACES ±		DRAFT WHERE APPLICABLE MUST REMAIN WITHIN DIMENSIONS		THIRD ANGLE PROJECTION		DRAWING: D-SIZE		SERIES: 100015		MATERIAL NUMBER	CUSTOMER		SHEET NUMBER
DOCUMENT STATUS: P1	RELEASE DATE: 2022/03/21	05:07:54	1000153200	PSD	ASY	A	3 OF 7						

PCB LAYOUT FOR SINGLE SIDED MOUNTING

CROSS HATCHED AREA DENOTES EMI
GROUNDING PAD (MUST BE CONNECTED
TO CHASSIS GROUND)

HATCHED AREA DENOTES
COMPONENT AND TRACE KEEP-OUT
(EXCEPT CHASSIS GROUND)



Ø 1.05 ±0.05 TYP
⊕ Ø0.10(M) A K L

AREA DENOTES
COMPONENT KEEP-OUT
(TRACES ALLOWED)

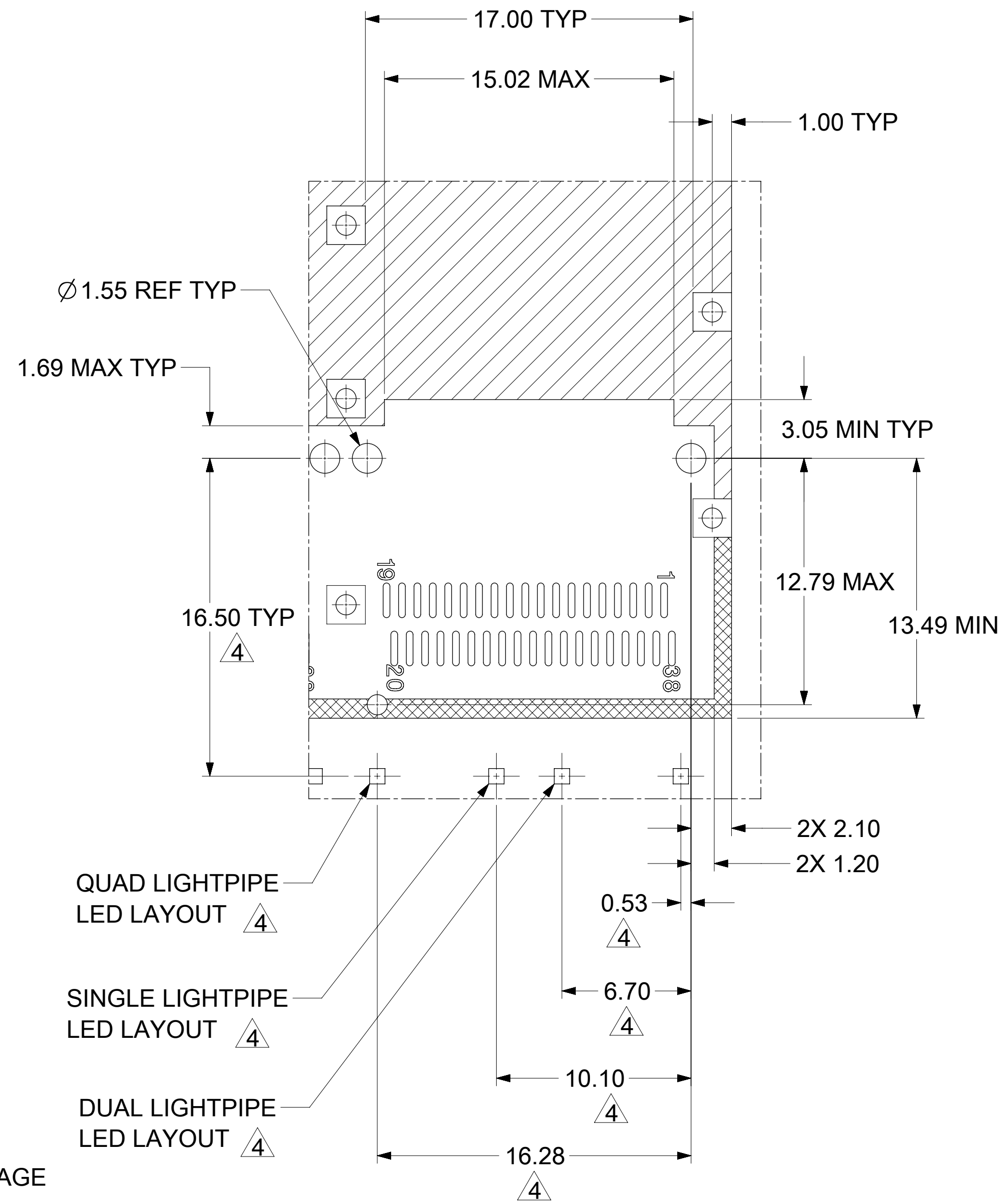
HOLES FOR OPTIONAL
REAR LEGS

DATUM -A- IS THE TOP
SURFACE OF HOST BOARD

CROSS HATCHED AREA DENOTES
WHERE SURFACE TRACES
ARE PERMITTED

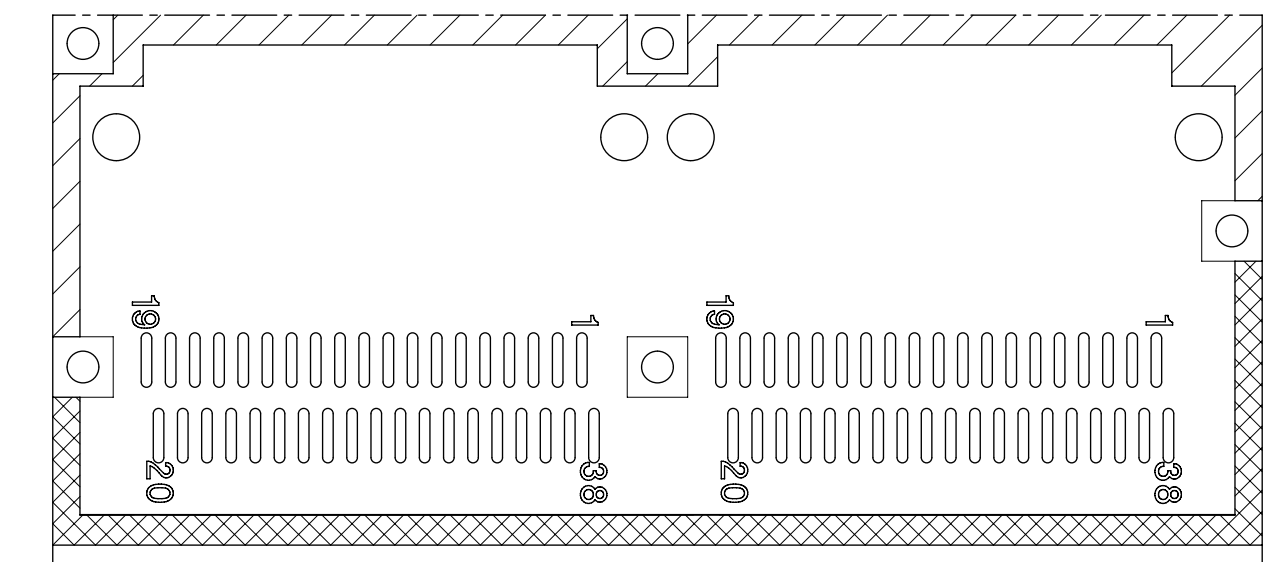
NOTES:

- PADS AND VIAS GO TO CHASSIS GROUND. (RECOMMENDED PADS TO BE 2.00mm SQUARE.)
- RECOMMENDED THRU HOLE PLATING INCLUDES HASL, OSP, OR IMMERSION (GOLD, SILVER, OR TIN).
- CONNECTOR PAD LAYOUT PER SFF-8663 WILL ACCOMODATE MOLEX CONNECTOR SERIES 170432.
- NOTED DIMENSIONS ONLY APPLY TO CAGE ASSEMBLIES WITH LIGHT PIPES.
- THIS DIM IS FOR REF ONLY USER CAN MODIFY IT DEPENDS ON APPLICATION



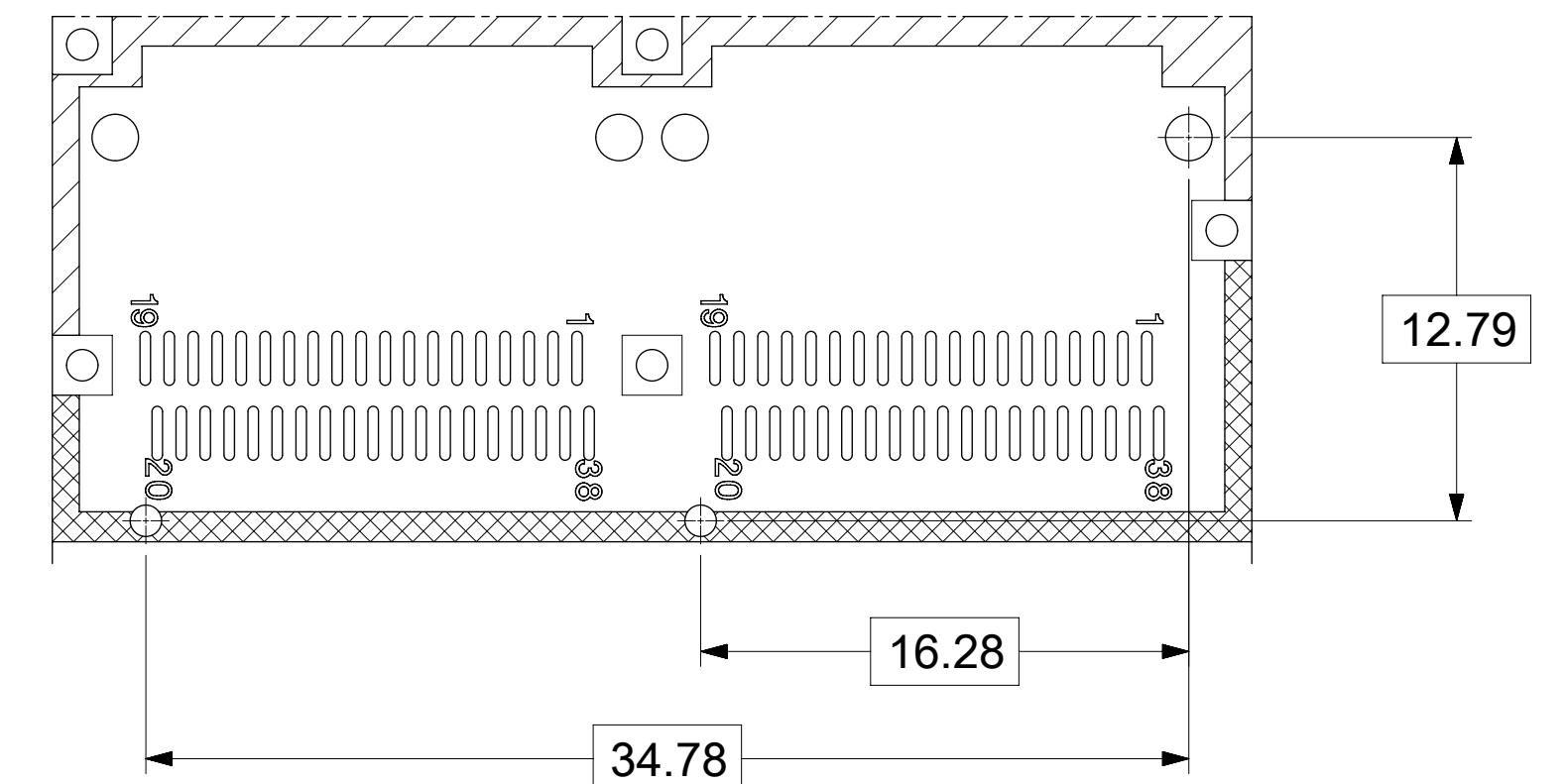
DETAIL F
SCALE 5:1

NO REAR LEGS



PARTIAL 1
SCALE 5:1

EACH PORT 1 REAR LEG



PARTIAL 1
SCALE 5:1

FUNCTIONAL SYMBOLS	THIS DRAWING CONTAINS INFORMATION THAT IS PROPRIETARY TO MOLEX ELECTRONIC TECHNOLOGIES, LLC AND SHOULD NOT BE USED WITHOUT WRITTEN PERMISSION		CURRENT REV DESC: SEE REV TABLE	
	FA = 0	mm	SCALE	4:1
DIVISIONAL SYMBOLS	GENERAL TOLERANCES (UNLESS SPECIFIED)		EC NO: 698869	
	FC = 0	ANGULAR TOL ± 2.0°	DRWN: VISHNM2	2022/02/17
FUNCTIONAL SYMBOLS	FP = 0	4 PLACES ±	CHK'D: TKUMARKC	2022/03/16
	4 PLACES ±	3 PLACES ±	APPR: JCHIANG	2022/03/21
	3 PLACES ±	2 PLACES ± 0.13	INITIAL REVISION:	
	2 PLACES ± 0.25	1 PLACE ±	DRWN: VISHNM2	2022/02/17
DRAFT WHERE APPLICABLE MUST REMAIN WITHIN DIMENSIONS	THIRD ANGLE PROJECTION		DRAWING	SERIES
	D-SIZE		100015	1000153200
DOCUMENT STATUS		P1	RELEASE DATE	2022/03/21 05:07:54
DOCUMENT NUMBER		CUSTOMER		SHEET NUMBER
1000153200		GENERAL MARKET		4 OF 7

molex

ZQSFP+ 1X2 GANGED CAGE
ASSY'S W/ SS TAB TYPE SPRING FINGER, H/S & L/P
OPTIONS

PRODUCT CUSTOMER DRAWING

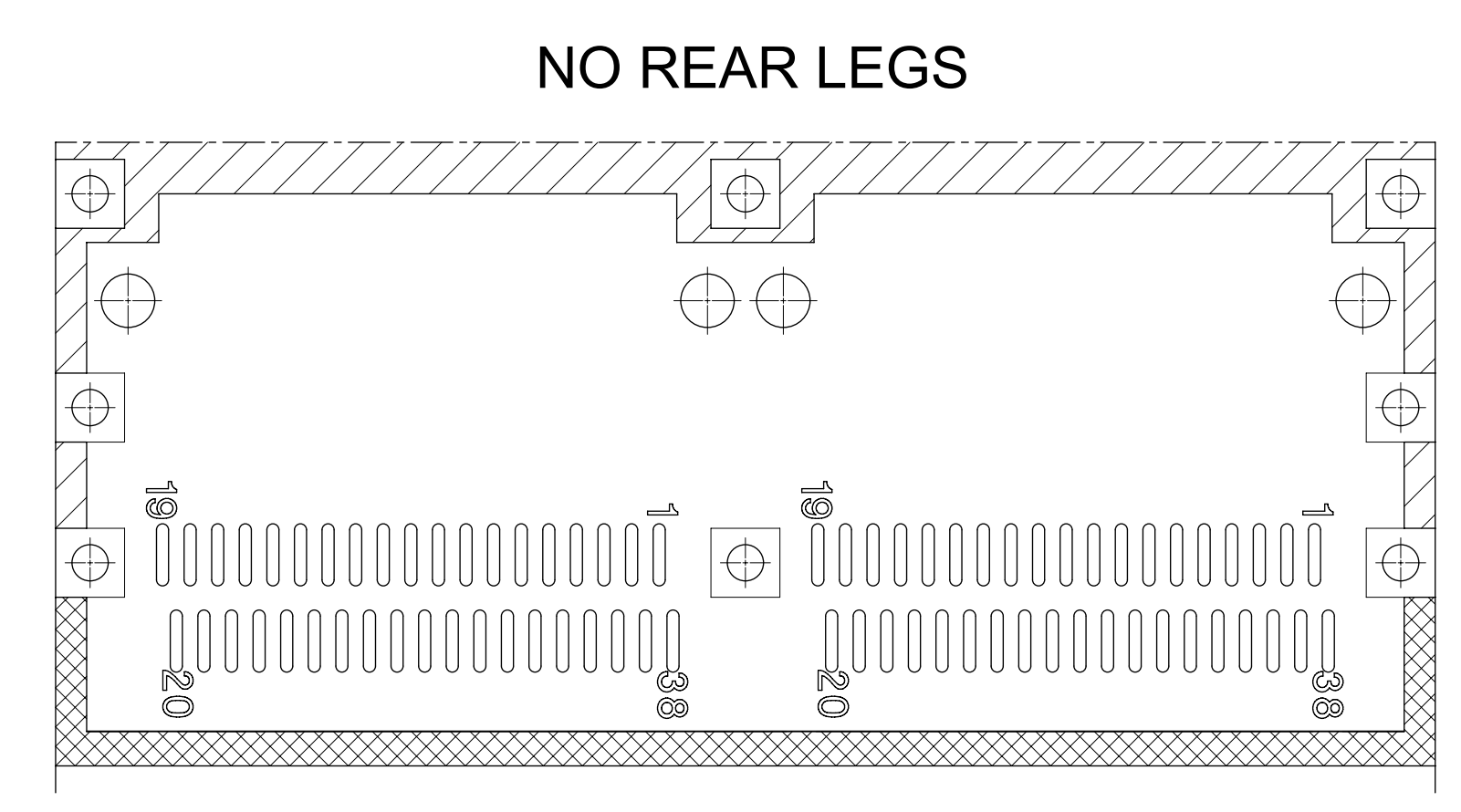
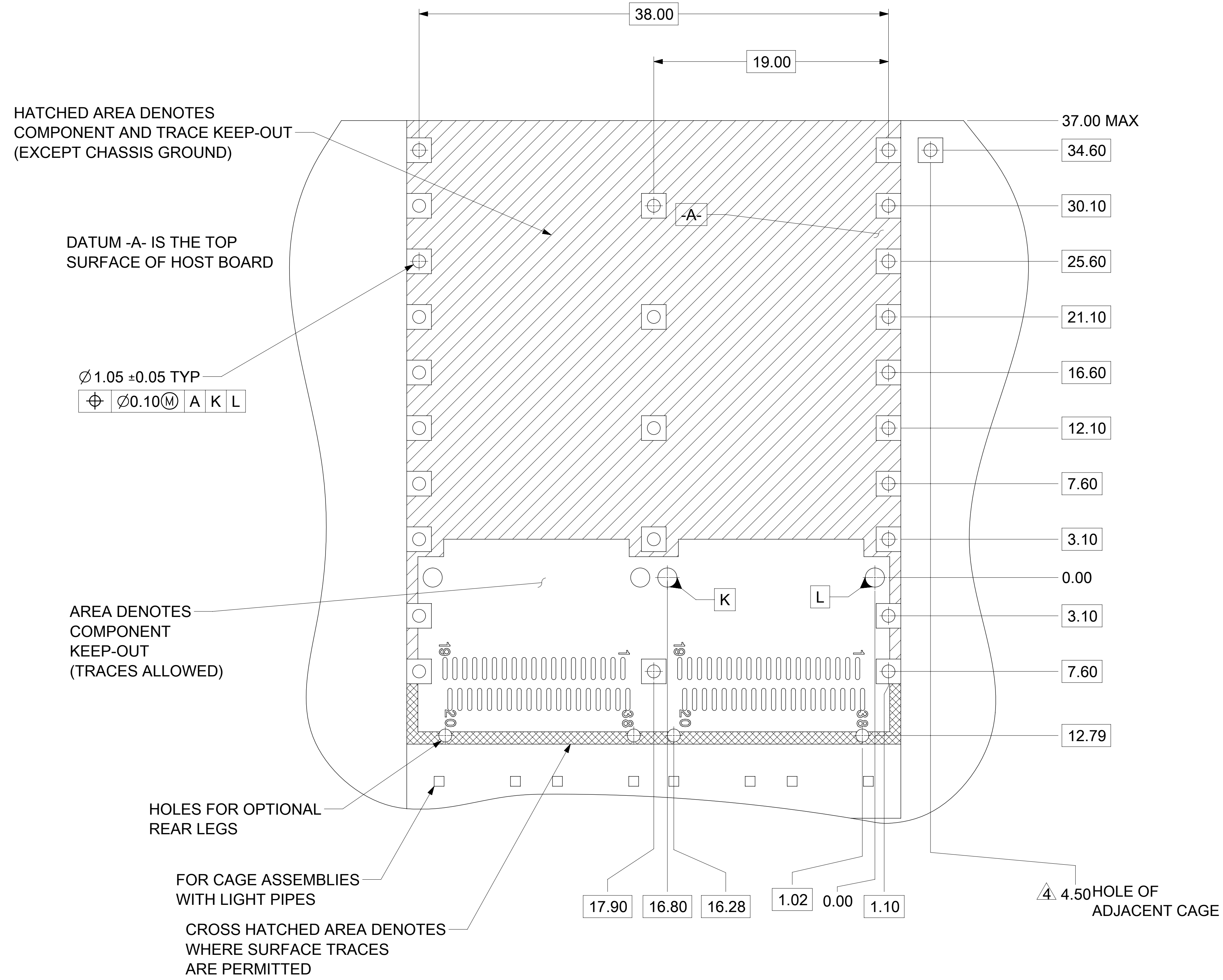
DOCUMENT NUMBER DOC TYPE DOC PART REVISION

1000153200 PSD ASY A

MATERIAL NUMBER CUSTOMER SHEET NUMBER

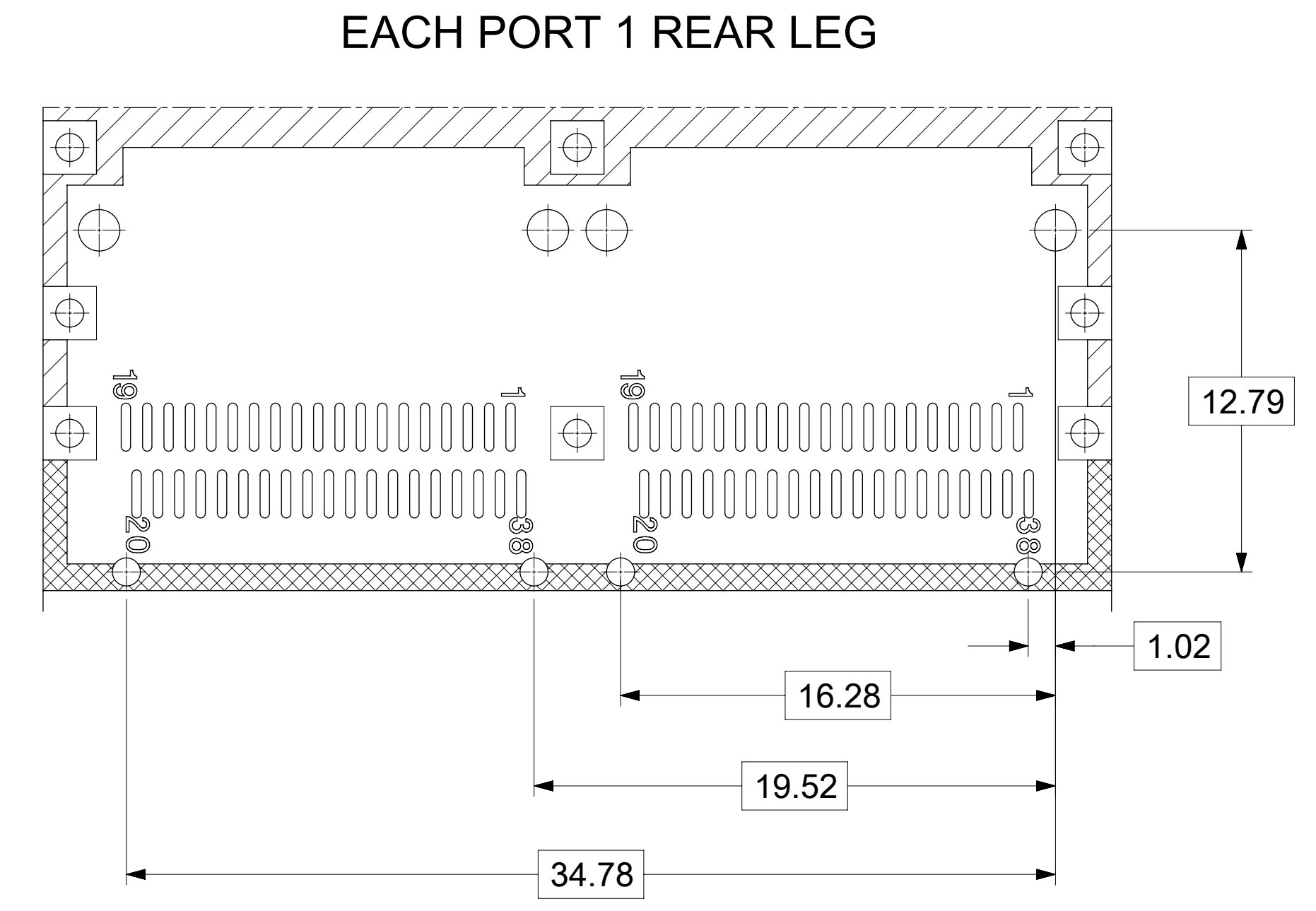
SEE P/N TABLE GENERAL MARKET 4 OF 7

PCB LAYOUT FOR BELLY TO BELLY MOUNTING



PARTIAL 3
SCALE 5:1

NOTE:
SEE SHEET 5 FOR
HOST CONNECTOR DETAIL
AND LED LOCATION DETAILS

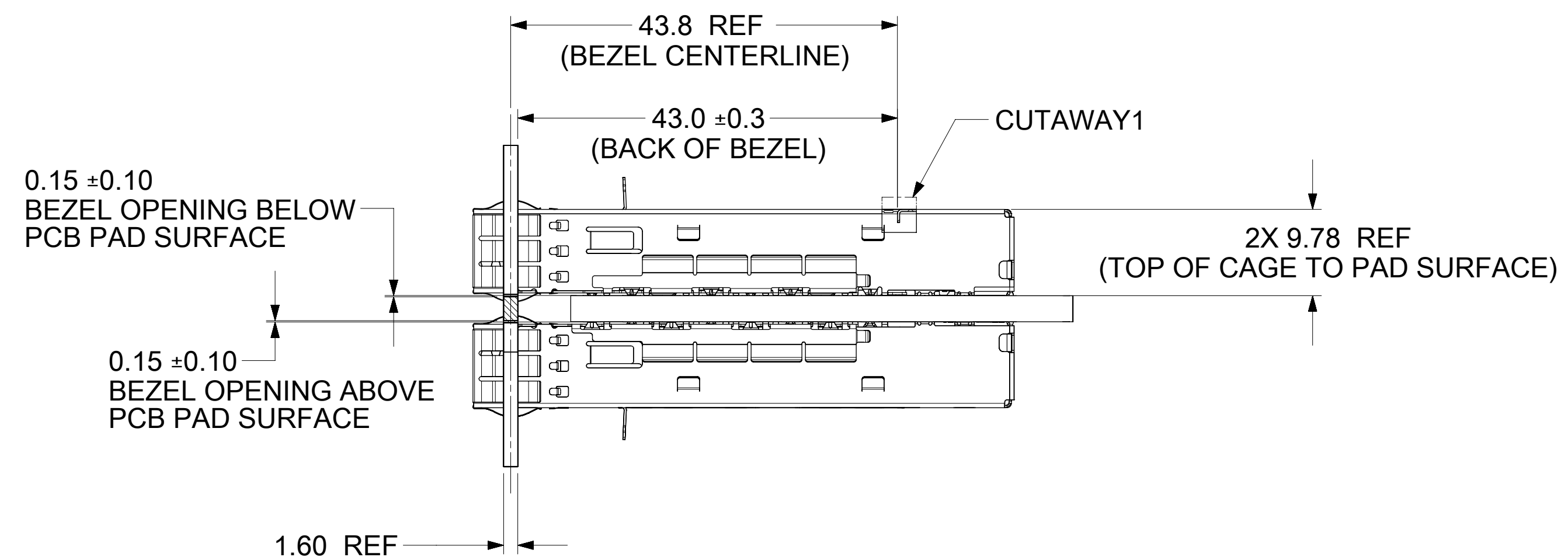


PARTIAL 4
SCALE 5:1

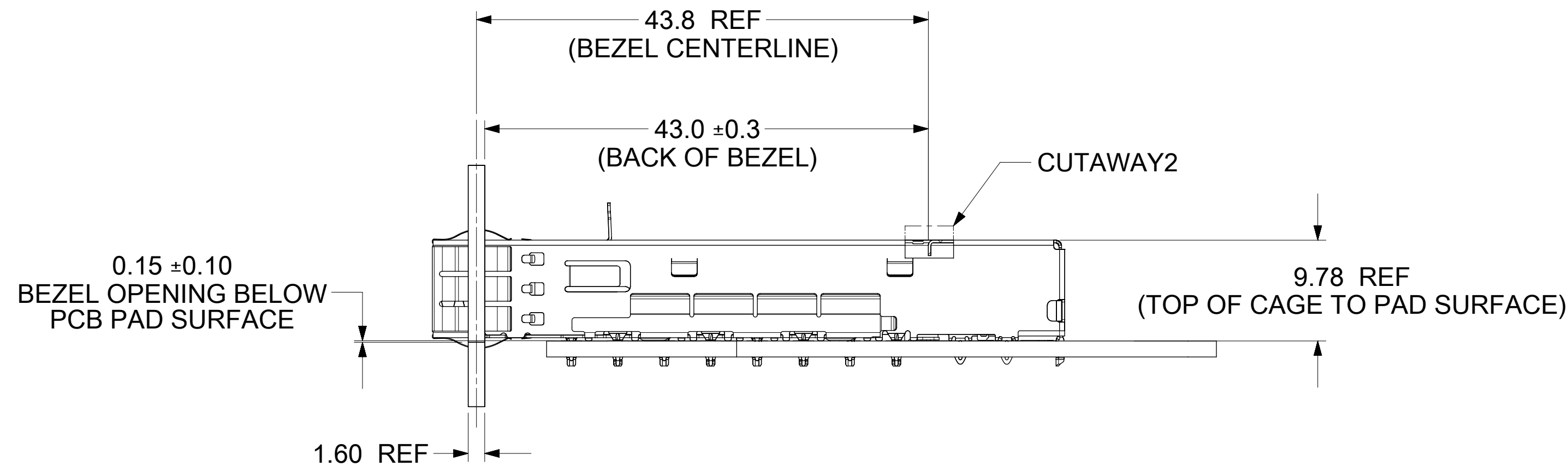
- NOTES:
1. PADS AND VIAS GO TO CHASSIS GROUND. (RECOMMENDED PADS TO BE 2.00mm SQUARE.)
 2. RECOMMENDED THRU HOLE PLATING INCLUDES HASL, OSP, OR IMMERSION (GOLD, SILVER, OR TIN).
 3. CONNECTOR PAD LAYOUT PER SFF-8663 WILL ACCOMODATE MOLEX CONNECTOR SERIES 170432.
 4. THIS DIM IS FOR REF ONLY USER CAN MODIFY IT DEPENDS ON APPLICATION.

FUNCTIONAL SYMBOLS	THIS DRAWING CONTAINS INFORMATION THAT IS PROPRIETARY TO MOLEX ELECTRONIC TECHNOLOGIES, LLC AND SHOULD NOT BE USED WITHOUT WRITTEN PERMISSION		
	DIMENSION UNITS	SCALE	CURRENT REV DESC: SEE REV TABLE
FA = 0	mm	5:1	EC NO: 698869 DRWN: VISHNM2 CHK'D: TKUMARKC APPR: JCHIANG
FC = 0	GENERAL TOLERANCES (UNLESS SPECIFIED)		
FD = 0	ANGULAR TOL ± 2.0°		2022/02/17
DIVISIONAL SYMBOLS	4 PLACES	±	2022/03/16
	3 PLACES	±	2022/03/21
	2 PLACES	± 0.13	INITIAL REVISION: DRWN: VISHNM2 APPR: JCHIANG
	1 PLACE	± 0.25	
0 PLACES	±	2022/02/17 2022/03/21	
DRAFT WHERE APPLICABLE MUST REMAIN WITHIN DIMENSIONS		THIRD ANGLE PROJECTION	DRAWING SERIES
			D-SIZE 100015
DOCUMENT STATUS		MATERIAL NUMBER	CUSTOMER
P1	RELEASE DATE	1000153200	GENERAL MARKET
	2022/03/21 05:07:54	SEE P/N TABLE	
		DOC TYPE	DOC PART
		PSD	ASYS
		REVISION	A
		SHEET NUMBER	
		5 OF 7	

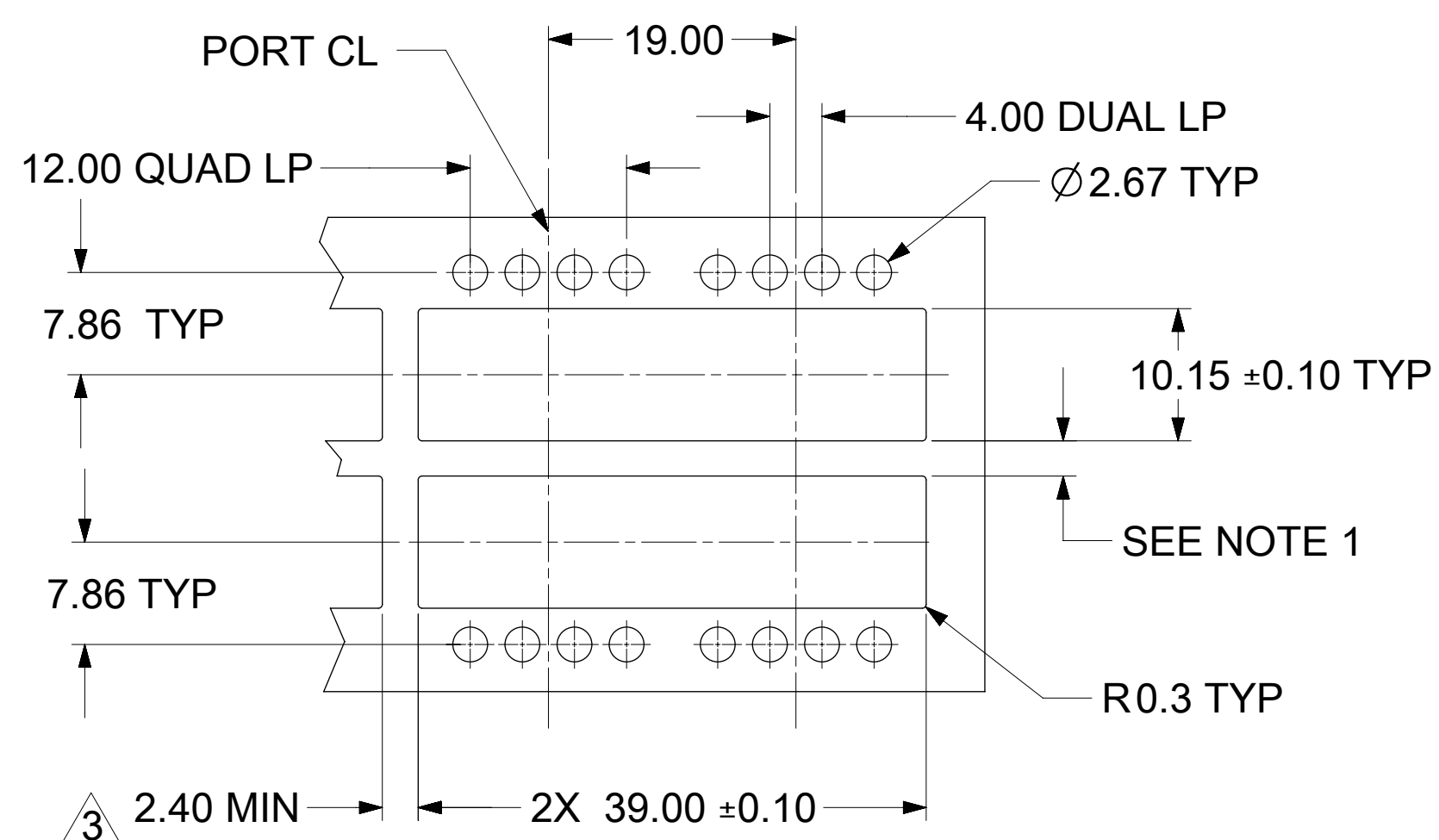
BEZEL AND BOARD POSITION DIMENSIONS FOR BELLY TO BELLY MOUNTING



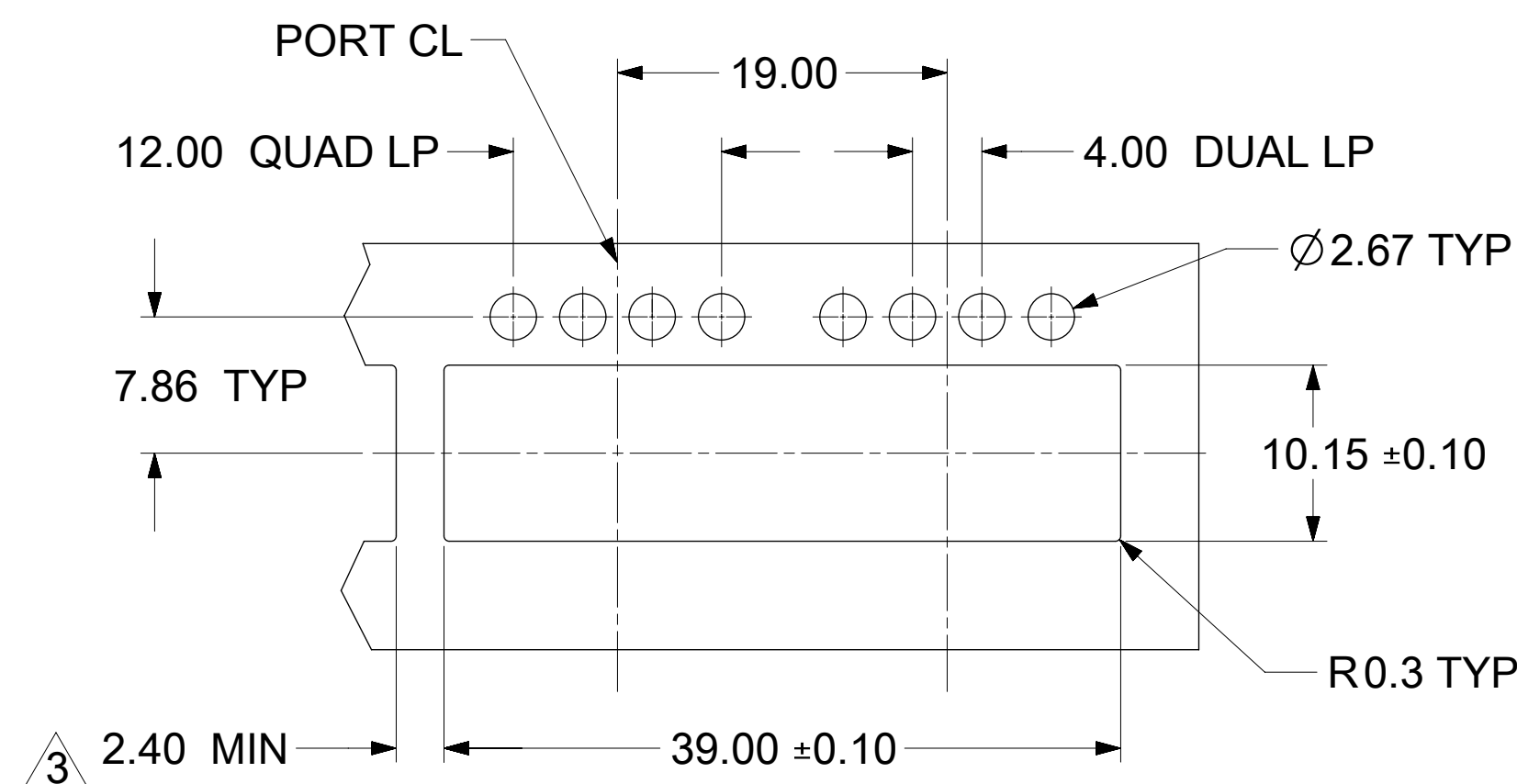
BEZEL AND BOARD POSITION DIMENSIONS FOR SINGLE SIDE MOUNTING



DUAL/QUAD LIGHT PIPE ²



DUAL/QUAD LIGHT PIPE ²



- NOTE:
- 1. PCB THICKNESS VARIATION MUST BE CONSIDERED WHEN DETERMINING BEZEL OPENING LOCATION.
 - ² NOTED DIMENSIONS ONLY APPLY TO CAGE ASSEMBLIES WITH LIGHT PIPES.
 - ³ THIS DIM IS FOR REF ONLY USER CAN MODIFY IT DEPENDS ON APPLICATION.

FUNCTIONAL SYMBOLS	THIS DRAWING CONTAINS INFORMATION THAT IS PROPRIETARY TO MOLEX ELECTRONIC TECHNOLOGIES, LLC AND SHOULD NOT BE USED WITHOUT WRITTEN PERMISSION		CURRENT REV DESC: SEE REV TABLE						
	DIMENSION UNITS	SCALE							
$\nabla_A = 0$	mm	2:1	EC NO: 698869 DRWN: VISHNM2 2022/02/17 CHK'D: TKUMARKC 2022/03/16 APPR: JCHIANG 2022/03/21 INITIAL REVISION: DRWN: VISHNM2 2022/02/17 APPR: JCHIANG 2022/03/21		ZQSFP+ 1X2 GANGED CAGE		ASSY'S W/ SS TAB TYPE SPRING FINGER, H/S & L/P OPTIONS		
$\nabla_C = 0$	GENERAL TOLERANCES (UNLESS SPECIFIED)				PRODUCT CUSTOMER DRAWING				
$\nabla_D = 0$	ANGULAR TOL ± 2.0°				DOCUMENT NUMBER		DOC TYPE	DOC PART	REVISION
DIVISIONAL SYMBOLS	4 PLACES	±			1000153200		PSD	ASY	A
	3 PLACES	±			SEE P/N TABLE		GENERAL MARKET		SHEET NUMBER
	2 PLACES	± 0.13					6 OF 7		
	1 PLACE	± 0.25							
	0 PLACES	±							
DRAFT WHERE APPLICABLE MUST REMAIN WITHIN DIMENSIONS			THIRD ANGLE PROJECTION	DRAWING	SERIES	MATERIAL NUMBER	CUSTOMER		
				D-SIZE	100015				

REV	DATE	DESCRIPTION
A	2022/02/17	INITIAL RELEASE.

FUNCTIONAL SYMBOLS	THIS DRAWING CONTAINS INFORMATION THAT IS PROPRIETARY TO MOLEX ELECTRONIC TECHNOLOGIES, LLC AND SHOULD NOT BE USED WITHOUT WRITTEN PERMISSION		
	DIMENSION UNITS	SCALE	CURRENT REV DESC: SEE REV TABLE
$\nabla_A = 0$	mm	1:1	EC NO: 698869 DRWN: VISHNM2 2022/02/17 CHK'D: TKUMARKC 2022/03/16 APPR: JCHIANG 2022/03/21
$\nabla_C = 0$	GENERAL TOLERANCES (UNLESS SPECIFIED)		
$\nabla_P = 0$	ANGULAR TOL \pm 2.0°		INITIAL REVISION: DRWN: VISHNM2 2022/02/17 APPR: JCHIANG 2022/03/21
DIVISIONAL SYMBOLS	4 PLACES	\pm	
	3 PLACES	\pm	DOCUMENT NUMBER 1000153200 DOC TYPE PSD DOC PART ASY REVISION A
	2 PLACES	\pm 0.13	
	1 PLACE	\pm 0.25	MATERIAL NUMBER SEE P/N TABLE CUSTOMER GENERAL MARKET SHEET NUMBER 7 OF 7
	0 PLACES	\pm	
	DRAFT WHERE APPLICABLE MUST REMAIN WITHIN DIMENSIONS	THIRD ANGLE PROJECTION 	DRAWING D-SIZE
			SERIES 100015

molex

ZQSFP+ 1X2 GANGED CAGE
ASSY'S W/ SS TAB TYPE SPRING FINGER, H/S & L/P
OPTIONS

PRODUCT CUSTOMER DRAWING