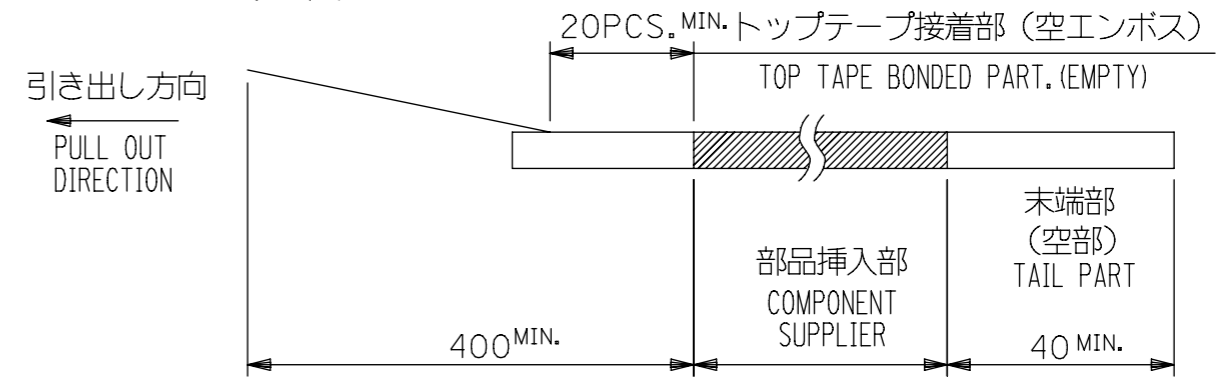


NOTES

- 製品詳細寸法については製品単体図面を参照下さい。
RE DETAILED DIMENSION, SEE PRODUCT DRAWING.
- 梱包数量：2500個/リール
NUMBER OF CONNECTORS : 2500PCS/REEL
- リードテープ長さ LEAD TAPE LENGTH



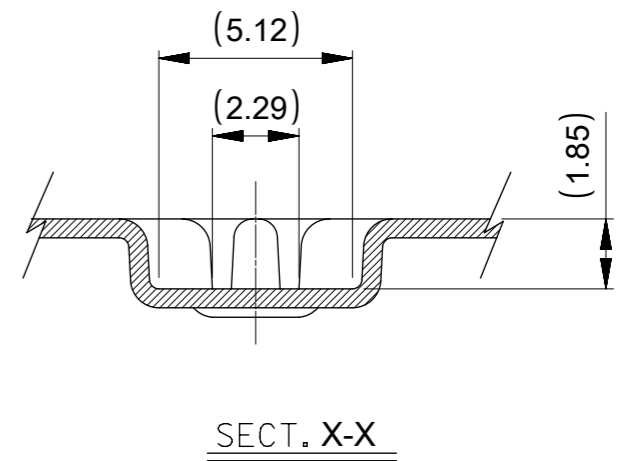
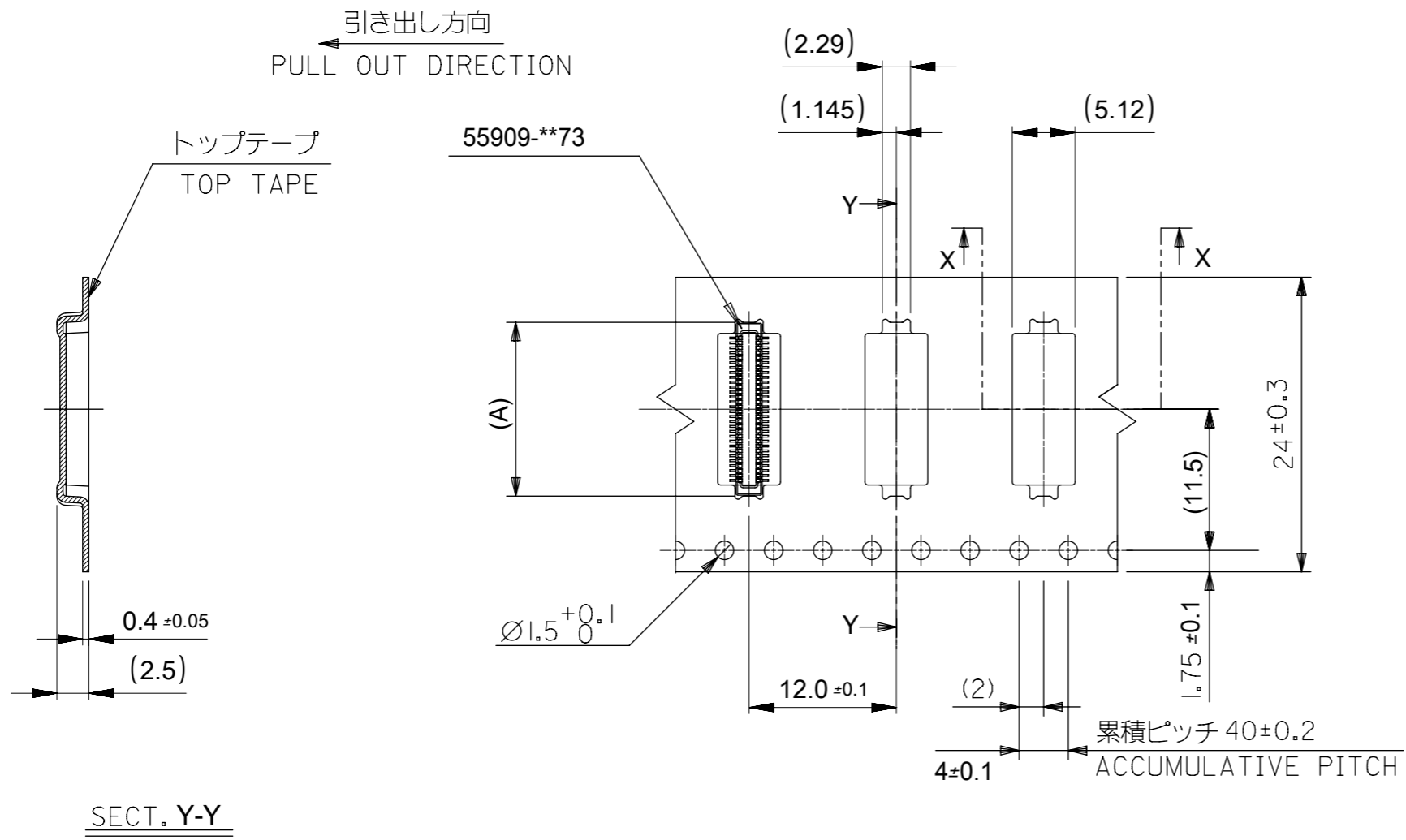
- 材料 MATERIAL
キャリアテープ (CARRIER TAPE) : POLYSTYRENE
トップテープ (TOPTAPE) : PET , PE , PEF
リール (REEL) : ポリスチレン (P S) <リサイクル材を含む>
POLYSTYRENE (PS) <RECYCLE MATERIAL CONTAINED>

- ELV 及び RoHS 適合品。
ELV AND RoHS COMPLIANT.

6. THIS DRAWING IS RE-DRAWING OF SD-55909-004 REV.J

CONNECTOR SERIES No. 55909-**73

QUALITY SYMBOLS ▽A = 0 ▽E = 0 ▽F = 0 ▼ = 0 ▽C = 0 ⊠ = 0 ■ = 0 ▽ = 0	THIS DRAWING CONTAINS INFORMATION THAT IS PROPRIETARY TO MOLEX ELECTRONIC TECHNOLOGIES, LLC AND SHOULD NOT BE USED WITHOUT WRITTEN PERMISSION				DIMENSION UNITS: mm SCALE: 1:1						
	EC NO: 605528 DRWN: JHCHANG CHK'D: KSKIM APPR: YSKIM02		GENERAL TOLERANCES (UNLESS SPECIFIED) ANGULAR TOL ± 1.0 °		DRWN BY: JHCHANG DATE: 2017/11/13					0.4B/B CONN PLUG ASSY(H=1.5) EMBSTP PKG	
	2018/10/08 2018/10/08 2018/10/09		4 PLACES ± 0.1 3 PLACES ± 0.1 2 PLACES ± 0.1 1 PLACE ± 0.1 0 PLACES ± 0.1		CHK'D BY: KSKIM DATE: 2018/10/08		PRODUCT CUSTOMER DRAWING				
	DRAFT WHERE APPLICABLE MUST REMAIN WITHIN DIMENSIONS		APPR BY: YSKIM02 DATE: 2018/10/09		DRAWING SIZE: A3 THIRD ANGLE PROJECTION					SERIES: 55909	MATERIAL NUMBER: SEE CHART
	A3		A3				DOCUMENT NUMBER: 559090074		DOC TYPE: PSD	DOC PART: 000	SHEET NUMBER: 1 OF 5

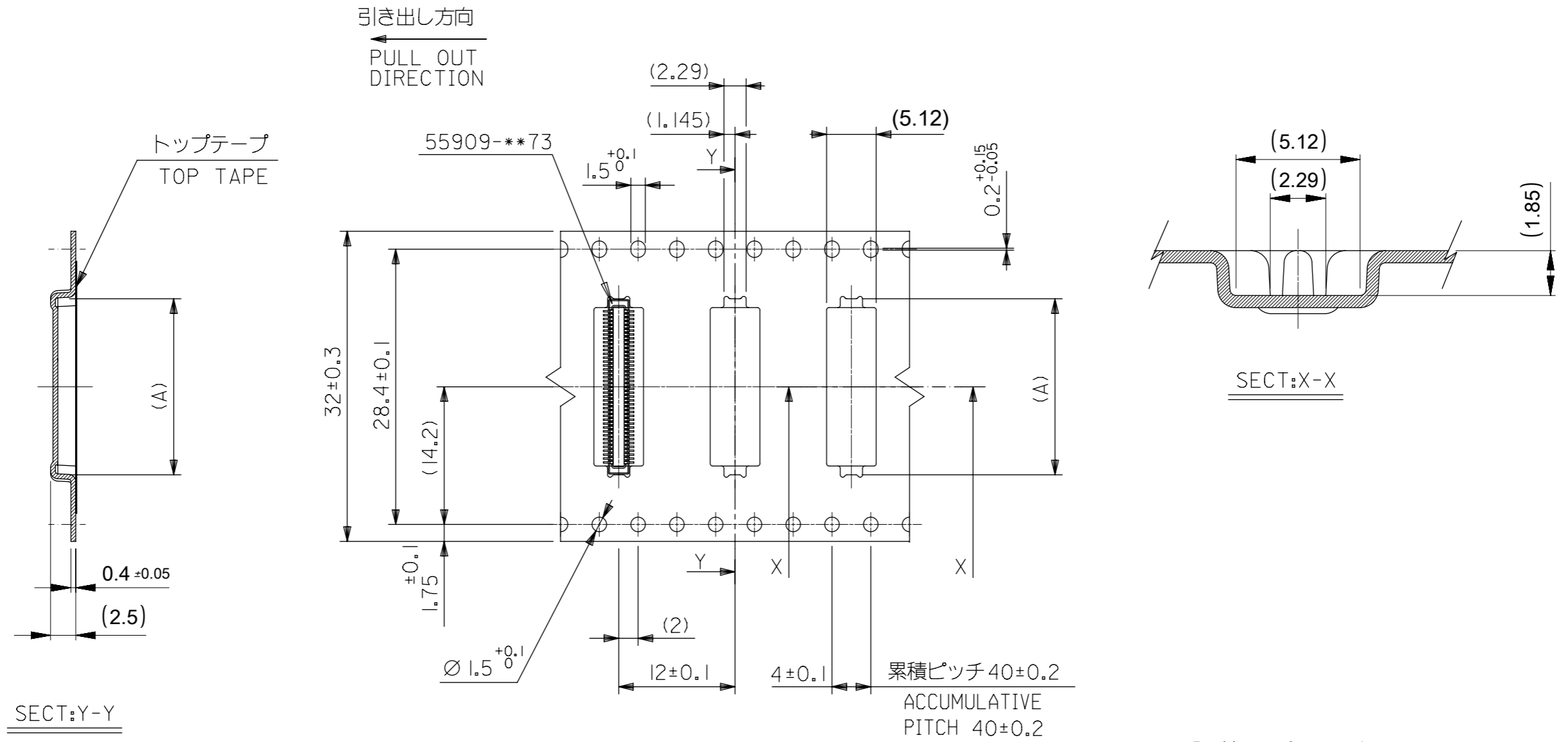


注記)製品がポケット内に問題なく収まること。
NOTE. Pocket should contain product smoothly.

24	29.4	25.4	14.16	55909-0674	60		
			12.16	55909-0574	50		
			10.16	55909-0474	40		
			8.96	55909-3474	34		
			8.16	55909-0374	30		
			7.36	55909-2674	26		
			6.96	55909-2474	24		
			6.56	55909-2274	22		
			6.16	55909-0274	20		
キャリアテープ幅 CARRIER TAPE WIDTH			C	B	(A)	MATERIAL NO.	CKT

CONNECTOR SERIES No. 55909-**73

QUALITY SYMBOLS ▽A = 0 ▽E = 0 ▽F = 0 ▼ = 0 ▽C = 0 ⊠ = 0 ■ = 0 ▽ = 0	THIS DRAWING CONTAINS INFORMATION THAT IS PROPRIETARY TO MOLEX ELECTRONIC TECHNOLOGIES, LLC AND SHOULD NOT BE USED WITHOUT WRITTEN PERMISSION				DIMENSION UNITS: mm SCALE: 2:1				
	DRWN BY: JHCHANG DATE: 2017/11/13		CHK'D BY: KSKIM DATE: 2018/10/01		PRODUCT CUSTOMER DRAWING				
	EC NO: 605528 DRWN: JHCHANG CHK'D: KSKIM APPR: YSKIM02		GENERAL TOLERANCES (UNLESS SPECIFIED) ANGULAR TOL ± 1.0 ° 4 PLACES ± 0.1 3 PLACES ± 0.1 2 PLACES ± 0.1 1 PLACE ± 0.1 0 PLACES ± 0.1		DRAFT WHERE APPLICABLE MUST REMAIN WITHIN DIMENSIONS		SERIES: 55909 MATERIAL NUMBER: SEE CHART CUSTOMER: GENERAL		
	A3		DRAFTER: JHCHANG DATE: 2018/10/09		DRAWING SIZE: A3 THIRD ANGLE PROJECTION		DOCUMENT NUMBER: 559090074 DOC TYPE: PSD DOC PART: 000 SHEET NUMBER: 2 OF 5		



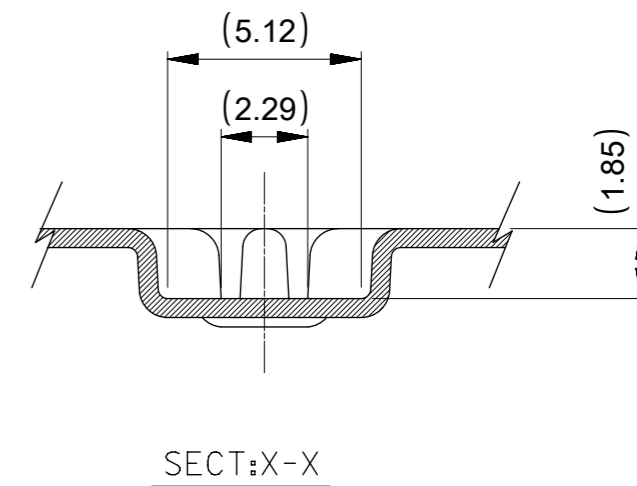
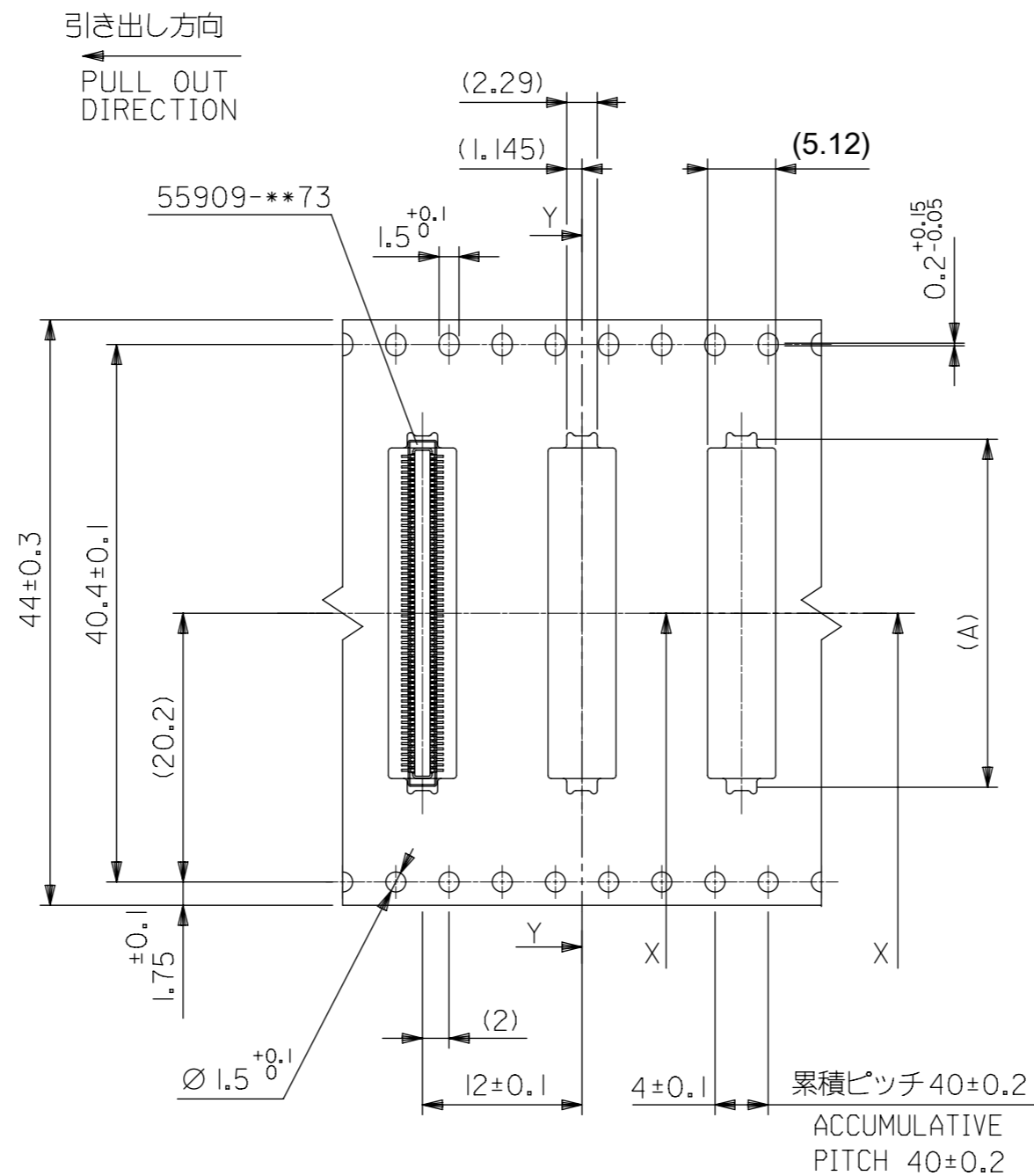
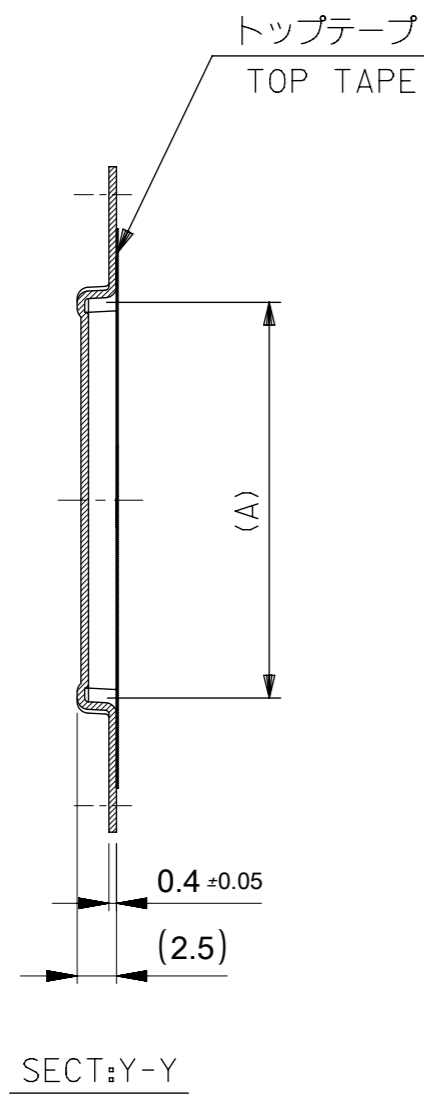
32mm幅キャリアテープ
32mm WIDTH CARRIER TAPE

注記)製品がポケット内に問題なく収まること。
NOTE. Pocket should contain product smoothly.

32	37.4	33.4	19.16	55909-0974	90
			18.16	55909-0874	80
			16.16	55909-0774	70
キャリアテープ幅 CARRIER TAPE WIDTH	C	B	(A)	MATERIAL NO.	極数 CKT.

CONNECTOR SERIES No. 55909-**-73

QUALITY SYMBOLS ▽A = 0 ▽E = 0 ▽F = 0 ▼ = 0 ▽C = 0 ⊠ = 0 ■ = 0 ▽ = 0	THIS DRAWING CONTAINS INFORMATION THAT IS PROPRIETARY TO MOLEX ELECTRONIC TECHNOLOGIES, LLC AND SHOULD NOT BE USED WITHOUT WRITTEN PERMISSION		DIMENSION UNITS mm	SCALE 2:1			
	DRWN BY JHCHANG	DATE 2017/11/13	GENERAL TOLERANCES (UNLESS SPECIFIED) ANGULAR TOL ± 1.0 °			0.4B/B CONN PLUG ASSY(H=1.5) EMBSTP PKG	
	CHK'D BY KSKIM	DATE 2018/10/01	4 PLACES ± 0.1 3 PLACES ± 0.1 2 PLACES ± 0.1 1 PLACE ± 0.1 0 PLACES ± 0.1	PRODUCT CUSTOMER DRAWING			
	APPR BY YSKIM02	DATE 2018/10/09	DRAFT WHERE APPLICABLE MUST REMAIN WITHIN DIMENSIONS	DRAWING SIZE A3			THIRD ANGLE PROJECTION
	EC NO.: 605528 DRWN: JHCHANG CHK'D: KSKIM APPR: YSKIM02	2018/10/08 2018/10/08 2018/10/09	DIMENSION UNITS mm	SCALE 2:1			SERIES 55909
A3	REV	DIMENSION UNITS mm	SCALE 2:1	DOCUMENT NUMBER 559090074	DOC TYPE PSD		DOC PART 000



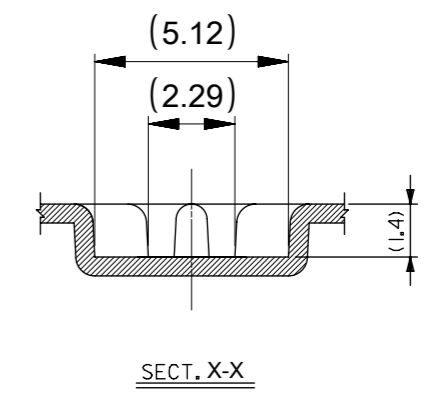
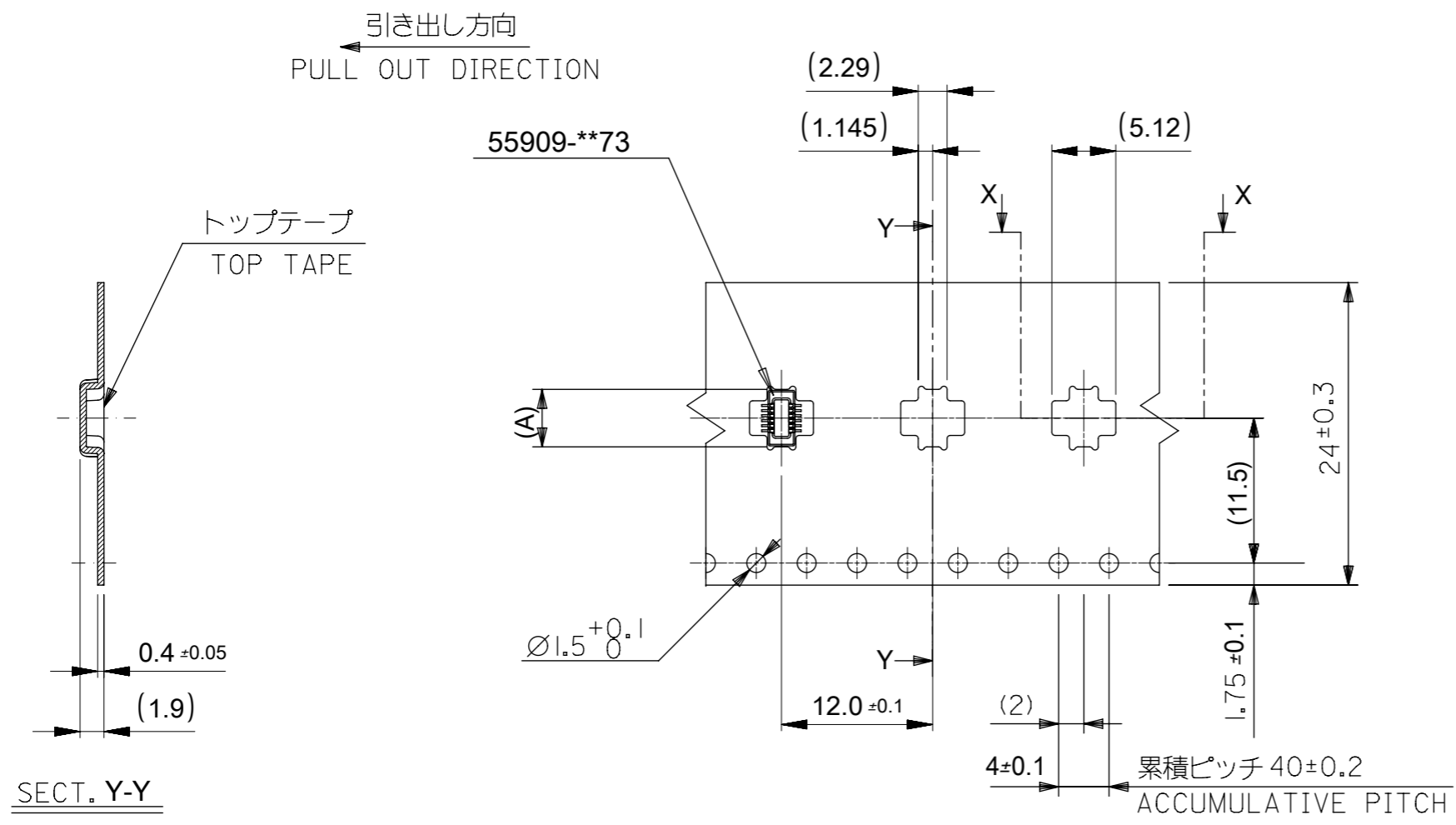
44mm幅キャリアテープ
44mm WIDTH CARRIER TAPE

注記)製品がポケット内に問題なく収まること。
NOTE. Pocket should contain product smoothly.

44	49.4	45.4	22.16	55909-1074	100
キャリアテープ幅 CARRIER TAPE WIDTH	C	B	(A)	MATERIAL NO.	極数 CKT.

CONNECTOR SERIES No. 55909-***73

QUALITY SYMBOLS ▽A = 0 ▽E = 0 ▽F = 0 ▼ = 0 ▽C = 0 ⊗ = 0 ■ = 0 ▽ = 0	THIS DRAWING CONTAINS INFORMATION THAT IS PROPRIETARY TO MOLEX ELECTRONIC TECHNOLOGIES, LLC AND SHOULD NOT BE USED WITHOUT WRITTEN PERMISSION		DIMENSION UNITS mm	SCALE 2:1			
	EC NO: 605528 DRWN: JHCHANG CHK'D: KSKIM APPR: YSKIM02	2018/10/08 2018/10/08 2018/10/09	GENERAL TOLERANCES (UNLESS SPECIFIED) ANGULAR TOL ± 1.0 °	DRWN BY JHCHANG		DATE 2017/11/13	0.4B/B CONN PLUG ASSY(H=1.5) EMBSTP PKG
			4 PLACES ± 0.1 3 PLACES ± 0.1 2 PLACES ± 0.1 1 PLACE ± 0.1 0 PLACES ± 0.1	CHK'D BY KSKIM		DATE 2018/10/01	
			DRAFT WHERE APPLICABLE MUST REMAIN WITHIN DIMENSIONS	APPR BY YSKIM02		DATE 2018/10/09	PRODUCT CUSTOMER DRAWING
		A3	DRAWING SIZE A3	THIRD ANGLE PROJECTION	SERIES 55909		
		REV			MATERIAL NUMBER SEE CHART		
					CUSTOMER GENERAL		
					DOCUMENT NUMBER 559090074		
					DOC TYPE PSD		
					DOC PART 000		
					SHEET NUMBER 4 OF 5		

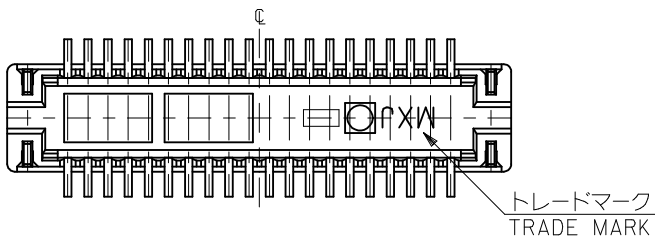
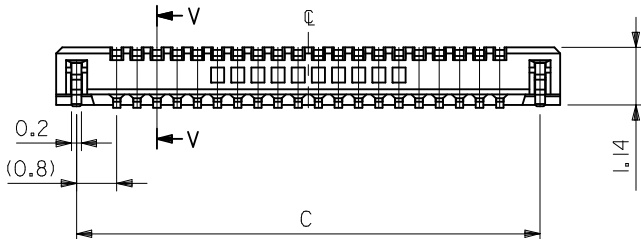
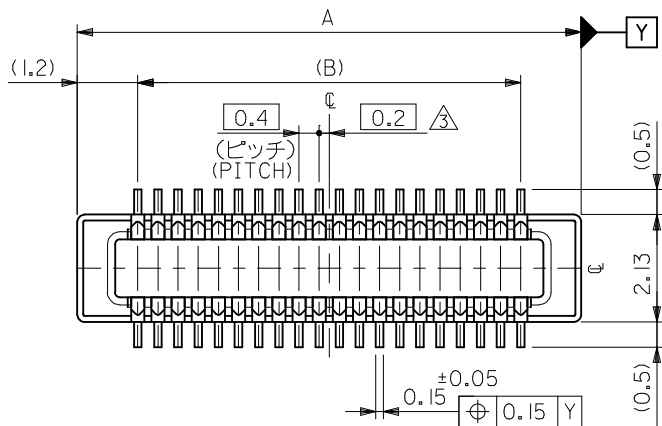


注記)製品がポケット内に問題なく収まること。
NOTE. Pocket should contain product smoothly.

24	29.4	25.4	5.36	55909-1674	16
			4.56	55909-9974	12
キャリアテープ幅 CARRIER TAPE WIDTH		C	B	(A) MATERIAL NO.	CKT

CONNECTOR SERIES No. 55909-**73

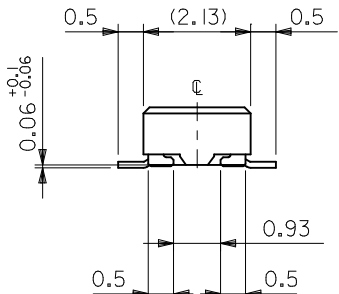
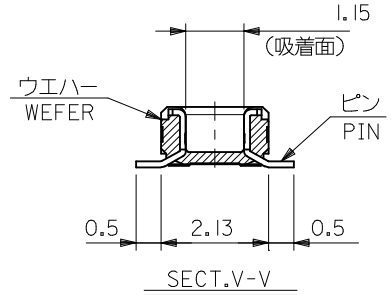
QUALITY SYMBOLS ▽A = 0 ▽E = 0 ▽F = 0 ▼ = 0 ▽C = 0 ⊠ = 0 ■ = 0 ▽ = 0	THIS DRAWING CONTAINS INFORMATION THAT IS PROPRIETARY TO MOLEX ELECTRONIC TECHNOLOGIES, LLC AND SHOULD NOT BE USED WITHOUT WRITTEN PERMISSION									
	2018/10/08	2018/10/08	2018/10/09	GENERAL TOLERANCES (UNLESS SPECIFIED)		DIMENSION UNITS	SCALE			
	DRWN: JHCHANG	CHK'D: KSKIM	APPR: YSKIM02	ANGULAR TOL ± 1.0 °		mm	2:1			
	EC NO: 605528 DRWN: JHCHANG CHK'D: KSKIM APPR: YSKIM02	4 PLACES ± 0.1		3 PLACES ± 0.1		DRWN BY DATE		0.4B/B CONN PLUG ASSY(H=1.5) EMBSTP PKG		
		2 PLACES ± 0.1		1 PLACE ± 0.1		CHK'D BY DATE				
		0 PLACES ± 0.1		DRAFT WHERE APPLICABLE MUST REMAIN WITHIN DIMENSIONS		APPR BY DATE				
		A3		A3		THIRD ANGLE PROJECTION				
	PRODUCT CUSTOMER DRAWING			SERIES		MATERIAL NUMBER		CUSTOMER		
	55909			SEE CHART		GENERAL			DOCUMENT NUMBER	
	559090074			PSD		000		SHEET NUMBER		
5 OF 5										



注記 NOTES:

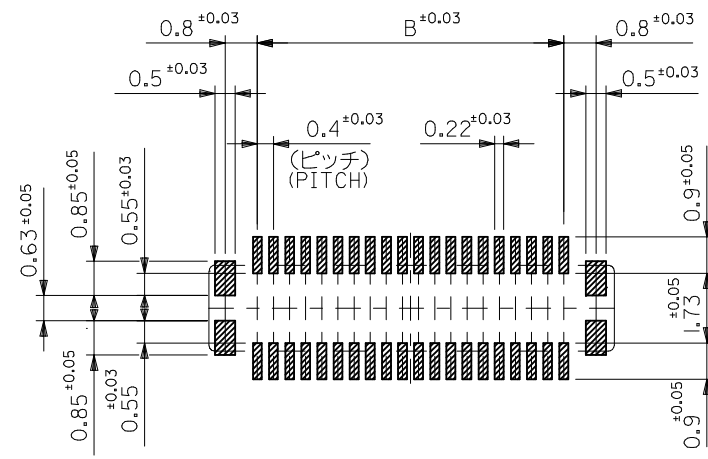
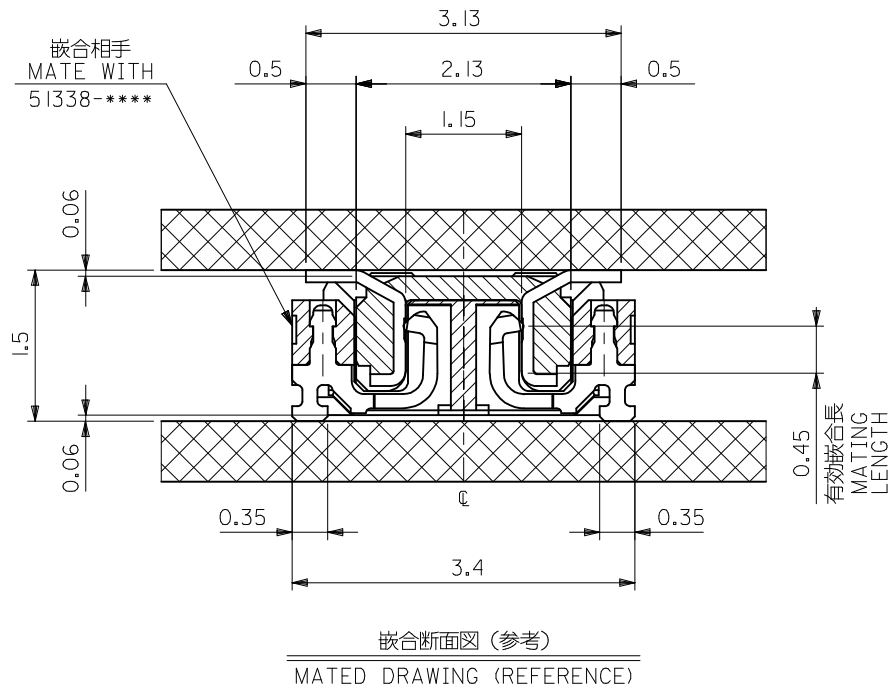
1. 使用材料 MATERIAL
 ウエハー: 液晶ポリマー (LCP) ガラス充填 UL94V-0 (黒)
 WAFER: LIQUID CRYSTAL POLYMER (GLASS FILLED)
 UL94V-0 (COLOR: BLACK)
 ピン: 黄銅 (t=0.12)
 PIN: BRASS (t=0.12)
 金具: リン青銅 (t=0.2)
 FITTING NAIL: PHOSPHOR BRONZE (t=0.2)
2. メッキ仕様 PLATING
 ピン PIN
 金メッキ 0.2 マイクロメートル以上 (コンタクト部)
 GOLD 0.2MICROMETER MINIMUM (CONTACT AREA)
 金メッキ 0.4 マイクロメートル以下 (テール部)
 GOLD 0.4MICROMETER MAXIMUM (TAIL AREA)
 下地メッキ: ニッケルメッキ 1.5 マイクロメートル以上
 UNDER PLATING: NICKEL 1.5MICROMETER MINIMUM
 金具 FITTING NAIL
 錫メッキ 1.0 マイクロメートル以上
 TIN PLATING 1.0MICROMETER MINIMUM
 下地メッキ: ニッケルメッキ 1.0 マイクロメートル以上
 UNDER PLATING: NICKEL 1.0MICROMETER MINIMUM

3. (全極数/2) = 偶数の場合に適用。
 APPLY FOR (CIRCUIT/2)=EVEN.
4. 嵌合相手: 51338シリーズ
 MATE WITH: 51338 SERIES.
5. テール平坦度は、0.08以下
 テール及び金具の平坦度は、0.1以下
 TAIL COPLANARITY TO BE 0.08 MAXIMUM
 TAIL AND FITTING NAIL
 COPLANARITY TO BE 0.1 MAXIMUM
6. 本製品は 55909-***3 の鉛フリー品である。
 THIS PRODUCT IS LEAD FREE OF 55909-***3



21.2	19.6	22.0	55909-1074	100
19.2	17.6	20.0	55909-0974	90
17.2	15.6	18.0	55909-0874	80
15.2	13.6	16.0	55909-0774	70
13.2	11.6	14.0	55909-0674	60
11.2	9.6	12.0	55909-0574	50
9.2	7.6	10.0	55909-0474	40
8.0	6.4	8.8	55909-3474	34
7.2	5.6	8.0	55909-0374	30
6.4	4.8	7.2	55909-2674	26
6.0	4.4	6.8	55909-2474	24
5.6	4.0	6.4	55909-2274	22
5.2	3.6	6.0	55909-0274	20
4.4	2.8	5.2	55909-1674	16
3.6	2.0	4.4	55909-9974	12
C	B	A	EMBOSSED TAPE PKG. ORDER No. オーダー番号	CKT.
CONNECTOR SERIES NO.			55909-***73	

REVISED EC NO: J2013-0254 DRW: KTOYODA 2012/08/30 CHK: D.TASAKAWA 2012/08/30 APPR: T.SAKAWA 2012/08/31	GENERAL TOLERANCES (UNLESS SPECIFIED)		DIMENSION STYLE MM ONLY		SCALE ---	DESIGN UNITS METRIC	THIRD ANGLE PROJECTION
	10 UNDER	±0.2	DRAWN BY HSHIMABUKURO	DATE 2004/02/20	TITLE 0.4 B-TO-B CONN. PLUG ASSY (HGT=1.5) WITH NAIL -LEAD FREE-		
	10 OVER 30 UNDER	±0.25	CHECKED BY K. TOJO	DATE 2004/02/20	molex DOCUMENT NO. SD-55909-003 SHEET NO. 1 OF 2		
	30 OVER	±0.3	APPROVED BY M. SASAO	DATE 2004/02/20			
ANGULAR ±1/2 °	DRAFT WHERE APPLICABLE MUST REMAIN WITHIN DIMENSIONS		MATERIAL NO. SEE CHART		THIS DRAWING CONTAINS INFORMATION THAT IS PROPRIETARY TO MOLEX INCORPORATED AND SHOULD NOT BE USED WITHOUT WRITTEN PERMISSION		



参考基板レイアウト (マウント面)
P.C.BOARD PATTERN DIMENSION,
(REFERENCE)
(MOUNTING AREA)

SEE SHEET 1 OF 2 EC NO: J2013-0254 DRW:KTOYODA 2012/08/30 CHK:D:TASAKAWA 2012/08/30 APP:R:TASAKAWA 2012/08/31	GENERAL TOLERANCES (UNLESS SPECIFIED)		DIMENSION STYLE MM ONLY	SCALE ---	55909-**73	MODEL NO.
	10 UNDER	±0.2	DRAWN BY HSHIMABUKURO	DATE 2004/02/20	THIRD ANGLE PROJECTION	
	10 OVER 30 UNDER	±0.25	CHECKED BY K.TOJO	DATE 2004/02/20	0.4 B-TO-B CONN. PLUG ASSY (HGT=1.5) WITH NAIL -LEAD FREE-	
	30 OVER	±0.3	APPROVED BY M.SASAO	DATE 2004/02/20	molex	
REV	DESCRIPTION	ANGULAR ±3 ° DRAFT WHERE APPLICABLE MUST REMAIN WITHIN DIMENSIONS	MATERIAL NO. SEE SHEET 1	DOCUMENT NO. SD-55909-003	SHEET NO. 2 OF 2	
G			SIZE A3	THIS DRAWING CONTAINS INFORMATION THAT IS PROPRIETARY TO MOLEX INCORPORATED AND SHOULD NOT BE USED WITHOUT WRITTEN PERMISSION		