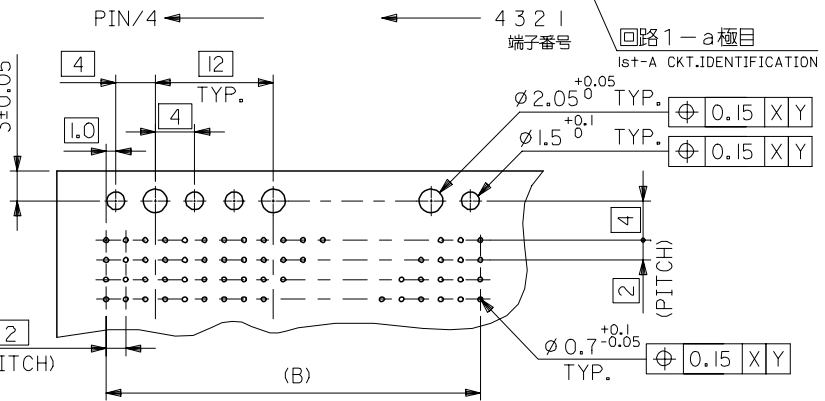
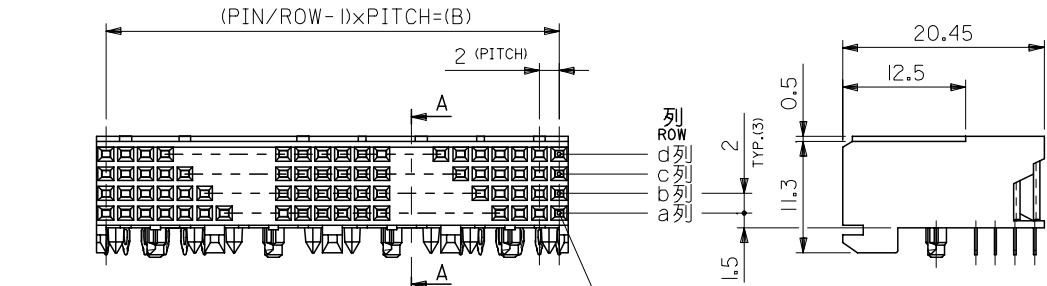
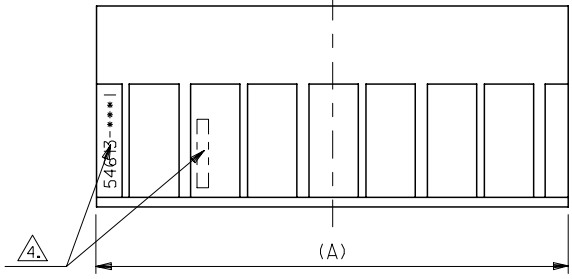
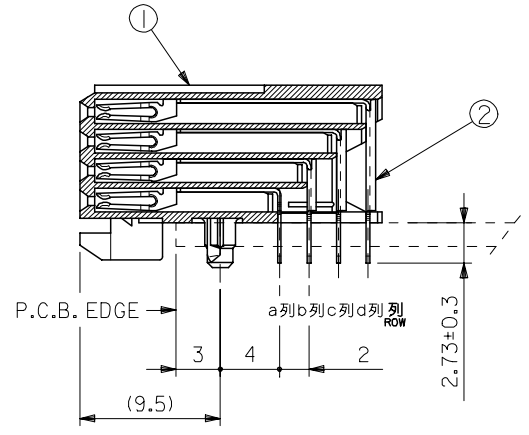


10 9 8 7 6 5 4 3 2 1

| 番号<br>No. | 部品<br>PART NAME                     | 材質<br>MATERIAL  | 仕上げ<br>FINISH |
|-----------|-------------------------------------|---|---------------|
| ①         | リセプタクル ハウジング<br>RECEPTACLE HOUSING  | 液晶ポリマー、ガラス充填、自然色(白)、UL94V-0<br>LIQUID CRYSTAL POLYMER, GLASS FILLED, NATURAL(WHITE) | —             |
| ②         | リセプタクル ターミナル<br>RECEPTACLE TERMINAL | リン青銅<br>PHOSPHOR BRONZE   | △             |



基板穴推奨寸法 (部品実装)  
RECOMMENDED P.C.B. LAYOUT (COMPONENT SIDE)



A-A  
(NON-SCALE)

- 注記  
NOTE :
- △ ターミナル めっき仕様  
TERMINAL PLATING  
金めっき: 0.76µm MIN. (接点部)  
GOLD: 0.76µm MIN. (CONTACT AREA)  
半田めっき: 1.0µm MIN. (半田付け部)  
TIN-LEAD: 1.0µm MIN. (SOLDER AREA)  
ニッケルメッキ: 2.0µm MIN. (下地めっき)  
NICKEL: 1.0µm MIN. (UNDER PLATING)
  - 2. 推奨基板厚: t=1.6, 2.4mm  
RECOMMENDED P.C.B. THICKNESS: t=1.6, 2.4mm
  - 3. 適合プラグ: 53901-\*\*\*5,55222-\*\*\*5,55089-\*\*\*5  
APPLICABLE PLUG: 53901-\*\*\*5,55222-\*\*\*5,55089-\*\*\*5
  - △ 製品番号及びロットナンバー  
MATERIAL NO. & LOT NO.

|    |       |              |     |
|----|-------|--------------|-----|
| 94 | 95.98 | 54613-1921   | 192 |
| 58 | 59.98 | 54613-1201   | 120 |
| 46 | 47.98 | 54613-0961   | 96  |
| 22 | 23.98 | 54613-0481   | 48  |
| B  | A     | MATERIAL NO. | PIN |

| REV | DESCRIPTION  |
|-----|--|
| B   | REVISED<br>EC NO: S54613-00175-175<br>DRWN: FANG05 2007/04/10<br>CHKD: HWANG 2008/06/25<br>APPR: INCHEH 2007/04/18 |

| QUALITY SYMBOLS |
|-----------------|
| ▽=0             |
| △=0             |

| GENERAL TOLERANCES (UNLESS SPECIFIED) |       |
|---------------------------------------|-------|
| mm                                    | INCH  |
| 4 PLACES ± ---                        | ± --- |
| 3 PLACES ± ---                        | ± --- |
| 2 PLACES ± 0.25                       | ± --- |
| 1 PLACE ± 0.25                        | ± --- |
| ANGULAR ± 3°                          |       |

| DIMENSION STYLE<br>MM ONLY |            |
|----------------------------|------------|
| DRAWN BY                   | DATE       |
| S. SHOSHIKAWA              | 1999/08/23 |
| CHECKED BY                 | DATE       |
| A. NODA                    | 1999/08/23 |
| APPROVED BY                | DATE       |
| H. IKESUGI                 | 1999/08/23 |
| MATERIAL NO.               |            |
| SEE TABLE                  |            |

| SCALE   | DESIGN UNITS | THIRD ANGLE PROJECTION |                     |
|---|--------------|------------------------|---------------------|
| 2:1   | METRIC       | ◎                      | □                   |
| TITLE<br>MFB B/B(FB+)REC ASSY<br>4ROWS PRESS-FIT  |              |                        |                     |
| MOLEX INCORPORATED  |              |                        |                     |
| DOCUMENT NO.<br>SD-54613-001  |              |                        | SHEET NO.<br>1 OF 1 |
| DRAFT WHERE APPLICABLE<br>MUST REMAIN<br>WITHIN DIMENSIONS  |              |                        |                     |
| THIS DRAWING CONTAINS INFORMATION THAT IS PROPRIETARY TO MOLEX INCORPORATED AND SHOULD NOT BE USED WITHOUT WRITTEN PERMISSION |              |                        |                     |

9 8 7 6 5 4 3 2 1