

RECOMMENDED PCB HOLE LAYOUT  
(TOLERANCE ±0.05MM)

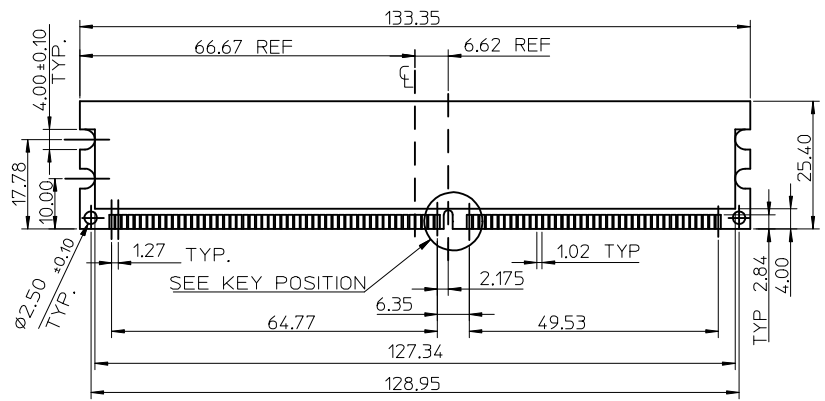
- NOTES:
- MATERIALS: HOUSING-POLYAMIDE, GLASS FIBER FILLED, UL94V-0, COLOR: SEE TABLE.  
EAR-POLYAMIDE, GLASS FIBER FILLED, UL94V-0, COLOR: WHITE.  
TERMINAL-1. PHOSPHOR BRONZE  
2. BRASS  
LATCH- BRASS
  - FINISHES: TERMINAL:  
GOLD PLATED IN CONTACT AREA (SEE TABLE);  
TIN ALLOY IN THE SOLDER AREA;  
THICKNESS=150 MICROINCH MINIMUM;  
UNDER PLATED: NICKEL(N)  
THICKNESS=50 MICROINCH MINIMUM;  
LATCH:  
TIN PLATED ALL OVER;  
THICKNESS=100 MICROINCH MINIMUM;  
UNDER PLATED: NICKEL(N)  
THICKNESS=50 MICROINCH MINIMUM;
  - RECOMMENDED PCB THICKNESS: 1.60±0.05MM
  - PRODUCT SPECIFICATION: REFER TO PS-48006-002
  - TEST SUMMARY: REFER TO TS-48006-002
  - PACKAGING: REFER TO PK-48006-002
  - LEAD-FREE AND ROHS COMPLIANCE

48006-1102	15 MICROINCH	PHOSPHOR BRONZE	2.5V	BLACK
48006-2102	15 MICROINCH			BLUE 2945C
48006-5101	GOLD FLASH			YELLOW 115U
48006-4101	GOLD FLASH			LAVENDER 2736U
48006-3101	GOLD FLASH			GREEN 3258U-3268U
48006-2101	GOLD FLASH			BLUE 2945C
48006-1101	GOLD FLASH	BRASS	2.5V	BLACK
48006-2112	15 MICROINCH			BLUE 2945C
48006-1112	15 MICROINCH			BLACK
48006-5111	GOLD FLASH			YELLOW 115U
48006-4111	GOLD FLASH			LAVENDER 2736U
48006-3111	GOLD FLASH			GREEN 3258U-3268U
48006-2111	GOLD FLASH	BLUE 2945C		
48006-1111	GOLD FLASH	BLACK		
MOLEX P/N	CONTACT PLATING	MATERIAL	POWER SUPPLY	COLOR

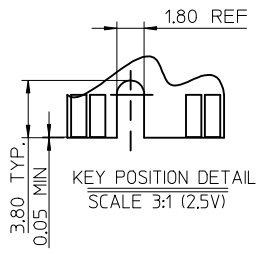
L/F FOR 48006	EC NO: SH2005-0376	2005/08/02	QUALITY SYMBOLS
	DRWN: JCHEN12	2005/08/04	
	CHKD: CHKD:		
	APPR: WMSCHANG	2005/08/04	
REV	DESCRIPTION		

DRAFT WHERE APPLICABLE MUST REMAIN WITHIN DIMENSIONS	GENERAL TOLERANCES (UNLESS SPECIFIED)	
	mm	INCH
	4 PLACES ± --- ± ---	
	3 PLACES ± --- ± ---	
	2 PLACES ± 0.25 ± ---	
	1 PLACE ± 0.25 ± ---	
	ANGULAR ± 3 °	

DIMENSION STYLE		SCALE	DESIGN UNITS	THIRD ANGLE PROJECTION
MM ONLY		1:1	METRIC	
DRAWN BY	DATE	TITLE		
JIANG	2005/04/13	1.27MM PITCH DDR DIMM SINGLE KEY 2.5V 184CKTS (LEAD-FREE VERSION)		
CHECKED BY	DATE	MOLEX MOLEX INCORPORATED		
ERIC KAO	2005/04/13	DOCUMENT NO. SD-48006-002		
APPROVED BY	DATE	SHEET NO. 1 OF 2		
WSCHANG	2005/04/13			
MATERIAL NO.		THIS DRAWING CONTAINS INFORMATION THAT IS PROPRIETARY TO MOLEX INCORPORATED AND SHOULD NOT BE USED WITHOUT WRITTEN PERMISSION		
SEE TABLE				



PLUG COMPONENT:DDR 184P FUNC. CARD



NOTE:  
SEE JEDEC SPEC MO-206 FOR COMPLETE MODULE  
DETAILS 1.27±0.10 THICK ACROSS CONTACT RADS

SEE SHEET 1	EC NO: SH2005-0376	2005/08/02	QUALITY SYMBOLS ▽=0 ◻=0	GENERAL TOLERANCES (UNLESS SPECIFIED)		DIMENSION STYLE	SCALE	DESIGN UNITS	THIRD ANGLE PROJECTION		
	DRWN: JCHEN12	2005/08/04		mm	INCH	MM ONLY	1:1	METRIC			
	CHKD:	2005/08/04		4 PLACES	± ---	± ---	DRAWN BY	DATE	TITLE		
	APPR: WMSCHANG	2005/08/04		3 PLACES	± ---	± ---	JIANG	2005/04/13	1.27MM PITCH DDR DIMM SINGLE KEY 2.5V 184CKTS (LEAD-FREE VERSION)		
			2 PLACES	± 0.25	± ---	CHECKED BY	DATE	MOLEX INCORPORATED			
			1 PLACE	± 0.25	± ---	ERIC KAO	2005/04/13				DOCUMENT NO.
			ANGULAR ± 3 °			APPROVED BY	DATE	SD-48006-002		SHEET NO.	
			DRAFT WHERE APPLICABLE MUST REMAIN WITHIN DIMENSIONS			WSCHANG	2005/04/13			2 OF 2	
						MATERIAL NO.		THIS DRAWING CONTAINS INFORMATION THAT IS PROPRIETARY TO MOLEX INCORPORATED AND SHOULD NOT BE USED WITHOUT WRITTEN PERMISSION			
						SEE TABLE					
						SIZE A3					