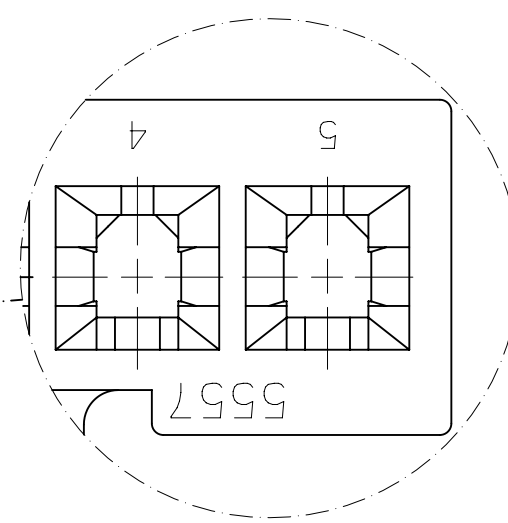
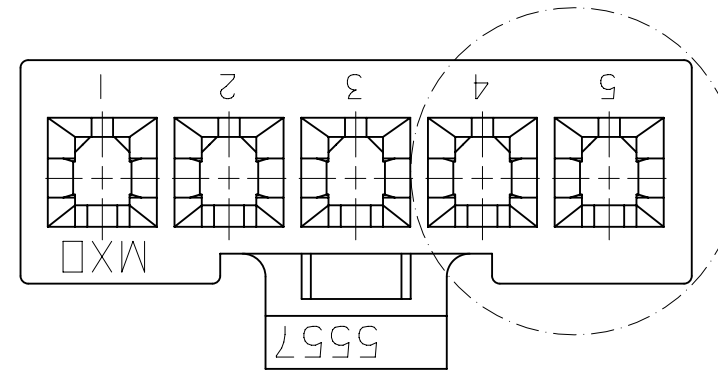


NOTES:

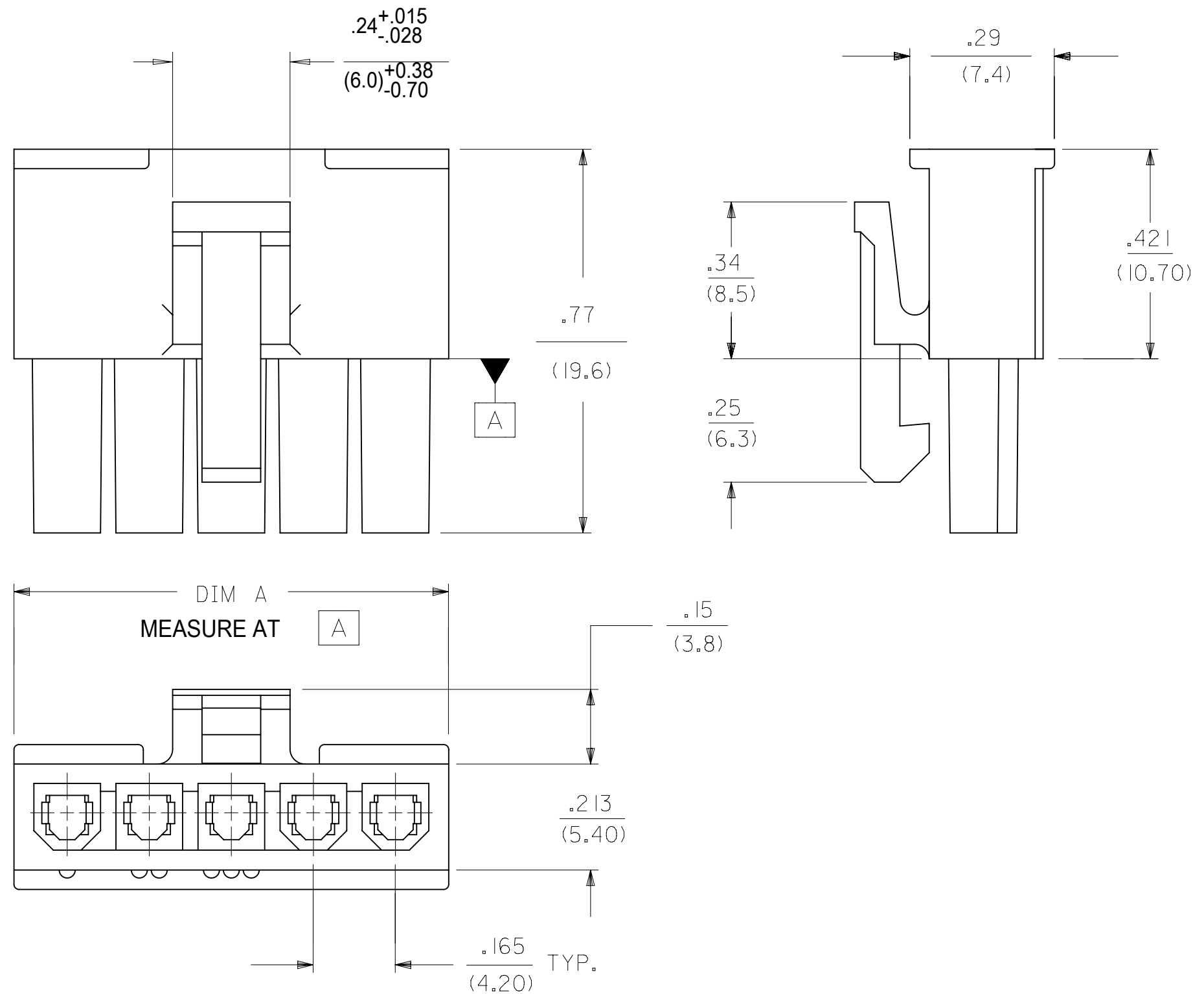
- 1) MATERIAL:  
 "BLANK": NYLON 6/6, 94V-2, COLOR: NATURAL.  
 210 : NYLON 6/6, 94V-0, COLOR: NATURAL.  
 400 : NYLON 6/6, 94V-0, COLOR: BLACK.
- 2) FINISH: NOT APPLICABLE
- 3) PRODUCT SPECIFICATION: PS-5556-001
- 4) PACKAGING SPECIFICATION: PK-5557-002
- 5) PART MATES WITH MOLEX PLUG #5559-\*, VERTICAL HEADER #5566-\*, AND RIGHT-ANGLE HEADER #5569-\*.
- 6) PART IS FOR USE WITH MOLEX FEMALE TERMINAL #5556-\*.
- 7) PART CONFORMS TO CLASS "B" REQUIREMENTS OF COSMETIC SPECIFICATION PS-45499-002.
- 8) PART IS NOT DESIGNED FOR CURRENT SHARING.
- 9) CONNECTORS ARE NOT TO BE MATED OR UNMATED WHILE CIRCUITS ARE LIVE.
- 10) WIRES ARE TO BE DRESSED IN SUCH A MANNER TO ALLOW THE TERMINALS TO FLOAT FREELY IN THE POCKET.
- 11) TEXT ON PART IS FOR REFERENCE ONLY. TEXT AND TEXT LOCATION MAY VARY DEPENDING ON PART NUMBER AND/OR TOOL.
- 12) BUBBLE IS ACCEPTABLE ON LATCH AREA.

CKT SIZE	DIM A
2	.378 (9.60)
4	.709 (18.00)
5	.874 (22.20)
6	1.039 (26.40)

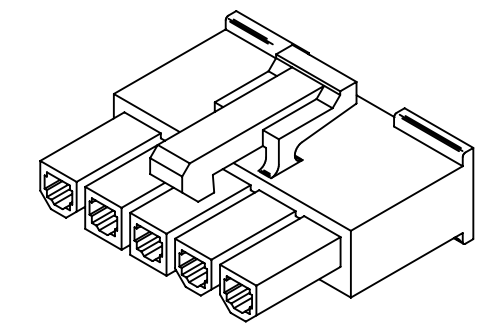
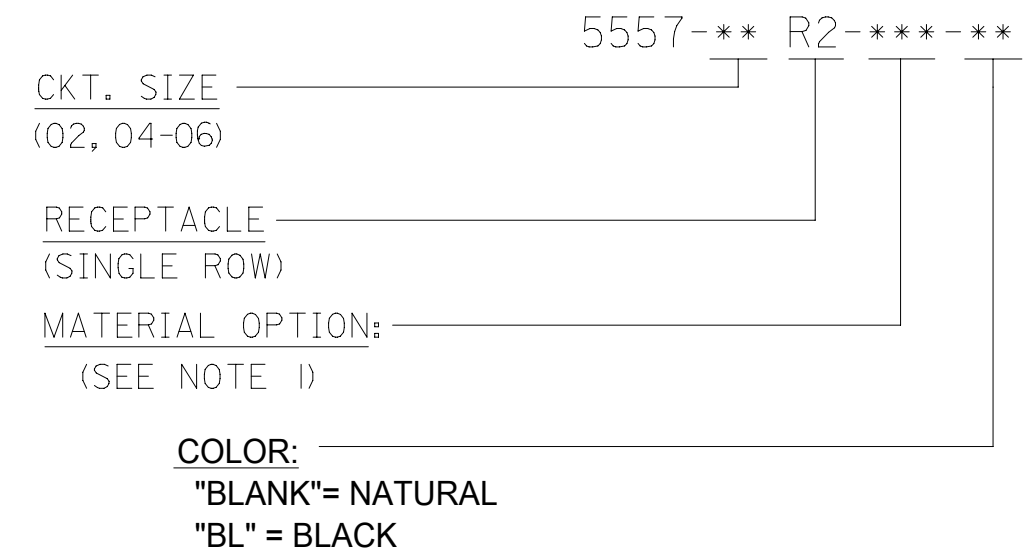
PART NUMBER	ENG. NUMBER	CKT. SIZE	MATERIAL (SEE NOTE 1.)
39-01-4020	5557-02R2	2	94V-2
39-01-4021	5557-02R2-210	2	94V-0
39-01-4040	5557-04R2	4	94V-2
39-01-4041	5557-04R2-210	4	94V-0
46999-0503	5557-04R2-400	4	94V-0
39-01-4050	5557-05R2	5	94V-2
39-01-4051	5557-05R2-210	5	94V-0
50-30-4447	5557-05R2-400	5	94V-0
39-01-4060	5557-06R2	6	94V-2
39-01-4061	5557-06R2-210	6	94V-0



OPTIONAL ENGINEERING NUMBER LOCATION



LEGEND:



THIS DRAWING CONTAINS INFORMATION THAT IS PROPRIETARY TO MOLEX ELECTRONIC TECHNOLOGIES, LLC AND SHOULD NOT BE USED WITHOUT WRITTEN PERMISSION

DIMENSION UNITS	SCALE	CURRENT REV DESC:								
INCH	NTS									
GENERAL TOLERANCES (UNLESS SPECIFIED)			MINI-FIT JR. RECEPTACLE SINGLE ROW							
	MM	INCH	PRODUCT CUSTOMER DRAWING							
4 PLACES	±	±	EC NO: 719028	2022/08/22		DOCUMENT NUMBER	DOC TYPE	DOC PART	REVISION	
3 PLACES	±	± 0.01	DRWN: JERRYW8	2022/09/01						
2 PLACES	± 0.25	± 0.015	CHK'D: XQZHANG	2022/09/01		55570002-SD				
1 PLACE	± 0.38	±	APPR: XQZHANG	2022/09/01		PSD 000 A1				
0 PLACES	±	±	INITIAL REVISION:			MATERIAL NUMBER				
			DRWN: KSS			2/15/89		CUSTOMER		SHEET NUMBER
			APPR: FSMITH			2012/05/04		GENERAL MARKET		1 OF 1
DRAFT WHERE APPLICABLE MUST REMAIN WITHIN DIMENSIONS			THIRD ANGLE PROJECTION	DRAWING	SERIES	SEE CHART				
				C-SIZE	5557					

THIS DRAWING REPLACES DRAWING SD-5557-NR2\*

DOCUMENT STATUS	P1	RELEASE DATE	2022/09/01	16:35:17
-----------------	----	--------------	------------	----------