

Product Change Notice



Series: RW-xxxxS/SMD – modification to the case.

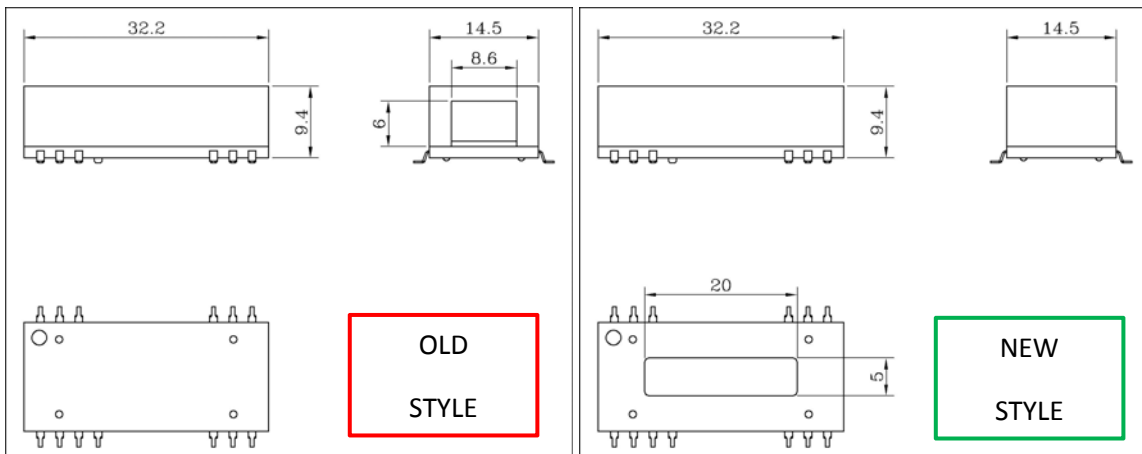
The single output RW series with SMD pinning uses a low profile case style with an end-window for the epoxy potting:



This is not an optimal design for production: the tolerances between the two case halves must be very precise and can easily be damaged, so special handling care must be taken during production.

Furthermore, as the two case ends have different rigidities due to the end window design, there is also a possibility that the case could warp and cause co-planarity errors after end-user reflow soldering.

To improve the yield and reliability, the case will be changed to a bottom-window rather than end-window design:



The change is only to the physical appearance. There is no change to the converter performance, specifications, pin-outs or overall dimensions. The two case versions are fully compatible and interchangeable.

Effective date: from datecode 1440

Steve Roberts.

Technical Director, RECOM Engineering

Gmunden, Austria. Sept. 2014