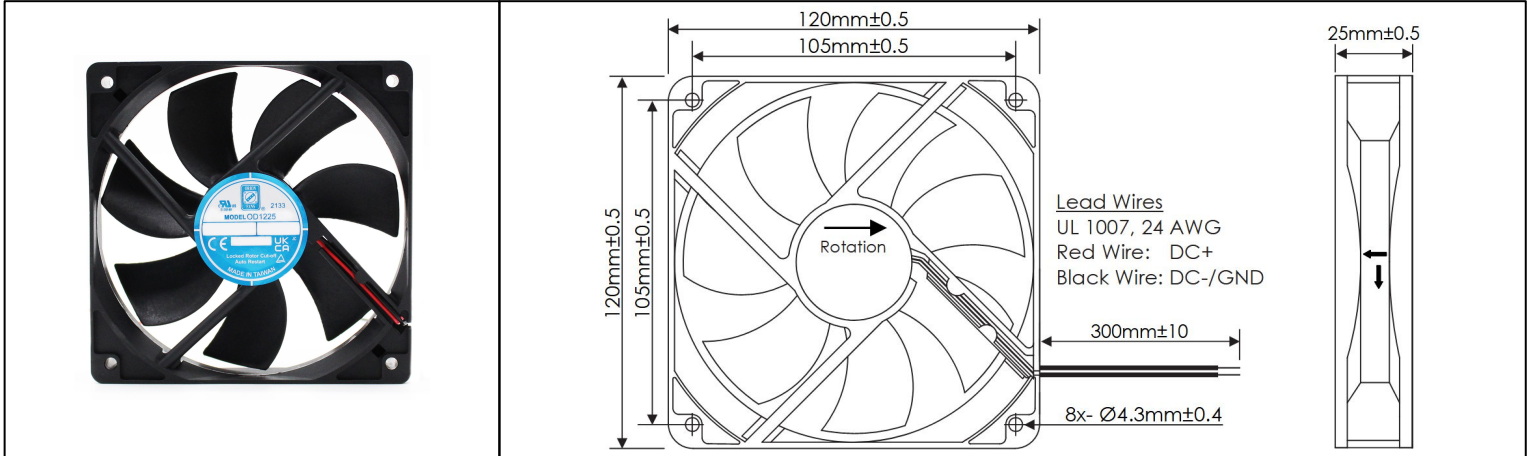


OD1225 Sealed Sleeve Series



DC Fans - 12, 24V
120mm x 25mm (4.7" x 1.0")



Frame	PBT, UL94 V-0 Plastic	Operating Temperature -20°C ~ +65°C Storage Temperature -20°C ~ +75°C Life Expectancy 50,000 Hours (L10 at 35°C) Available Options PWM Speed Control Input Tachometer Output Alarm Output IP Ratings Other Voltages Weight: 0.34 lbs.	
Impeller	PBT, UL94 V-0 Plastic		
Connection	2x Lead Wires, 24 AWG		
Motor	Brushless DC, Auto Cutoff, Auto Restart, Polarity Protected, Electronically Protected		
Bearing System	Sealed Sleeve Bearings		
Dielectric Strength	500VDC/min, <1mA		
Insulation Resistance	≥10MΩ @ 500 VDC		

Part Number	Rated Voltage (Volts DC)	Voltage Range (Volts DC)	Input Power (Watts)(Max)	Rated Current (Amps)(Max)	Rated Speed (RPM)	Max Airflow (CFM)	Noise Level (dBA)	Max Static Pressure ("H ₂ O)
OD1225-12HSS	12	8 ~ 13.8	5.4	0.45	2250	85	38.7	0.14
OD1225-24HSS	24	15 ~ 26	5.5	0.23	2250	85	38.7	0.14