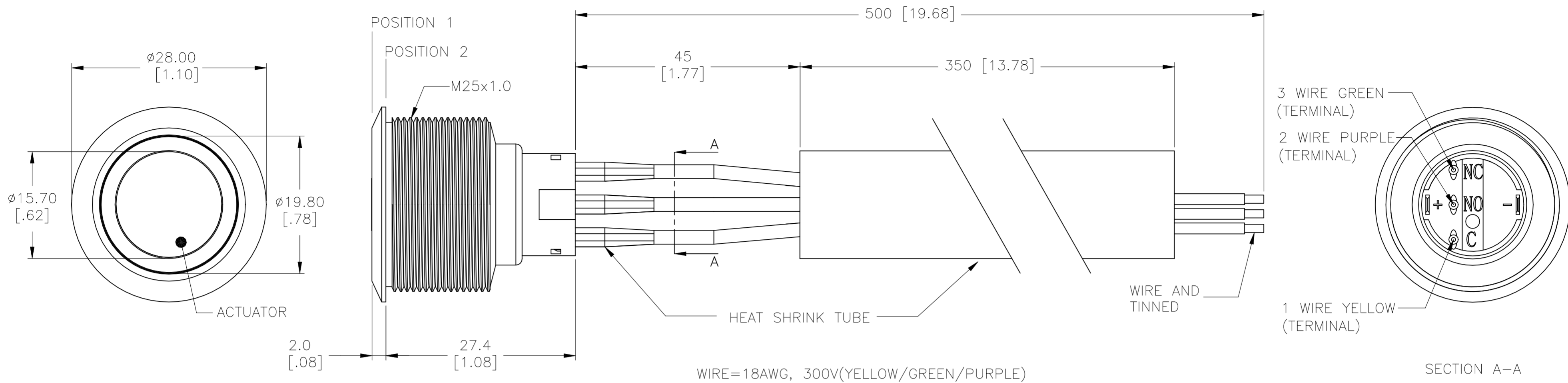


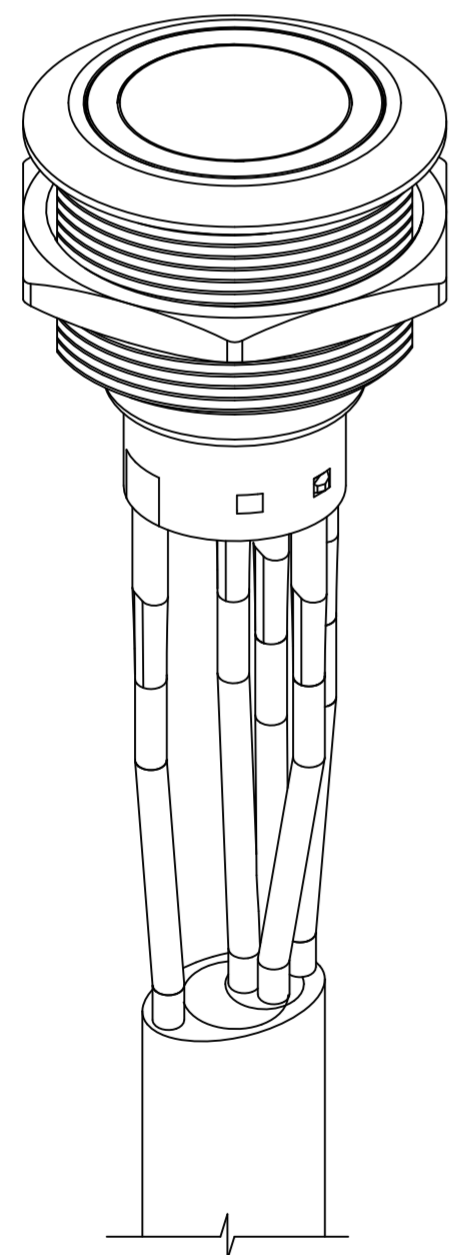
THIS DRAWING IS UNPUBLISHED. RELEASED FOR PUBLICATION
 © COPYRIGHT - By - ALL RIGHTS RESERVED.

REVISIONS					
P	LTR	DESCRIPTION	DATE	DWN	APVD
A1		ECO-21-006709	18JUN2021	RK	AS

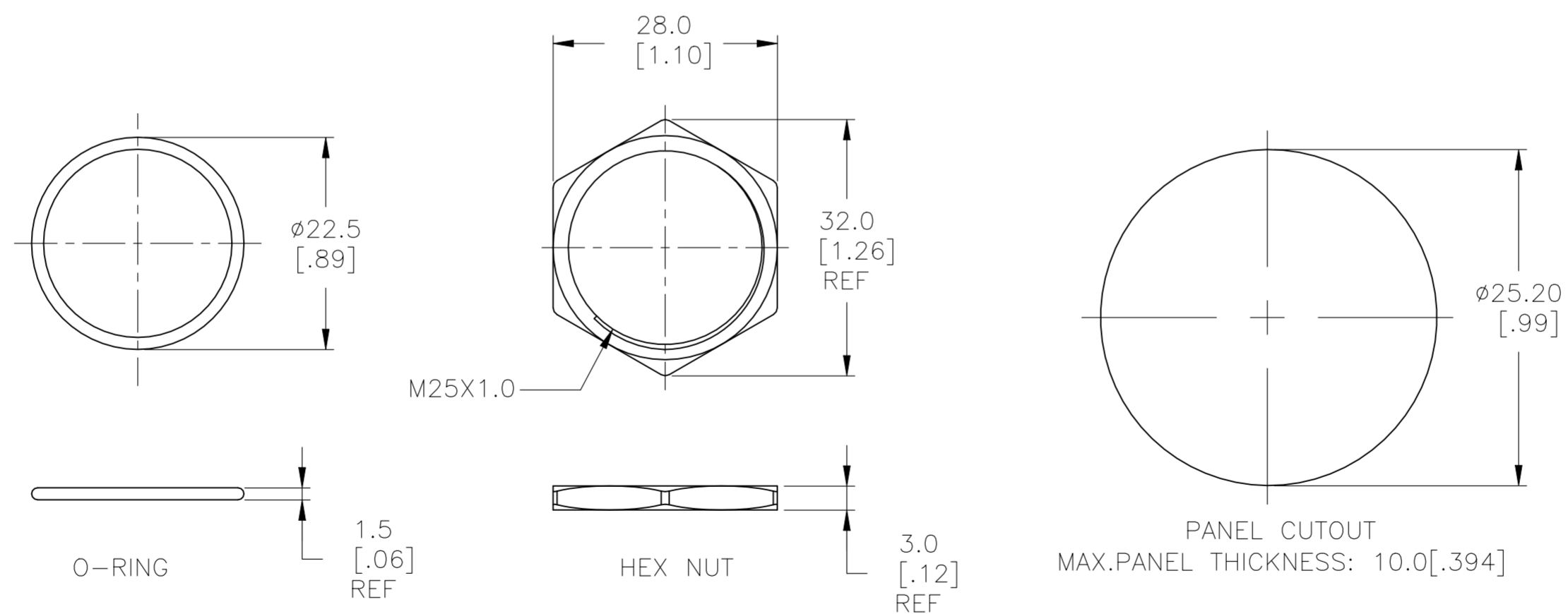
SINGLE POLE SWITCH WITH NO LED AND WITH FLYING LEADS



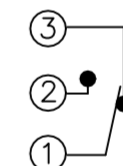
WIRE=18AWG, 300V(YELLOW/GREEN/PURPLE)



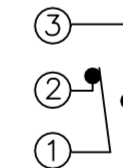
ASSEMBLED VIEW



POSITION 1



POSITION 2

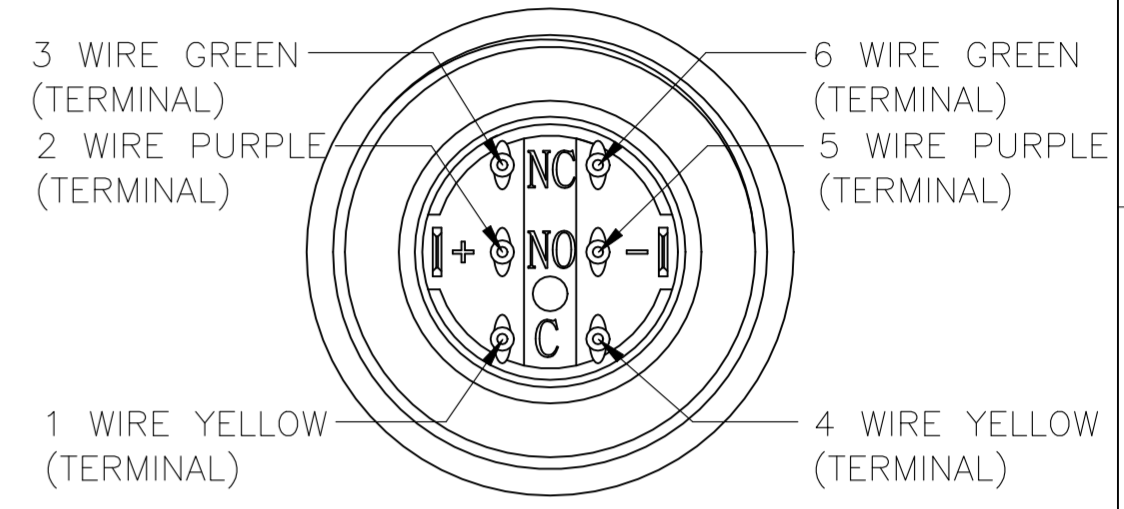
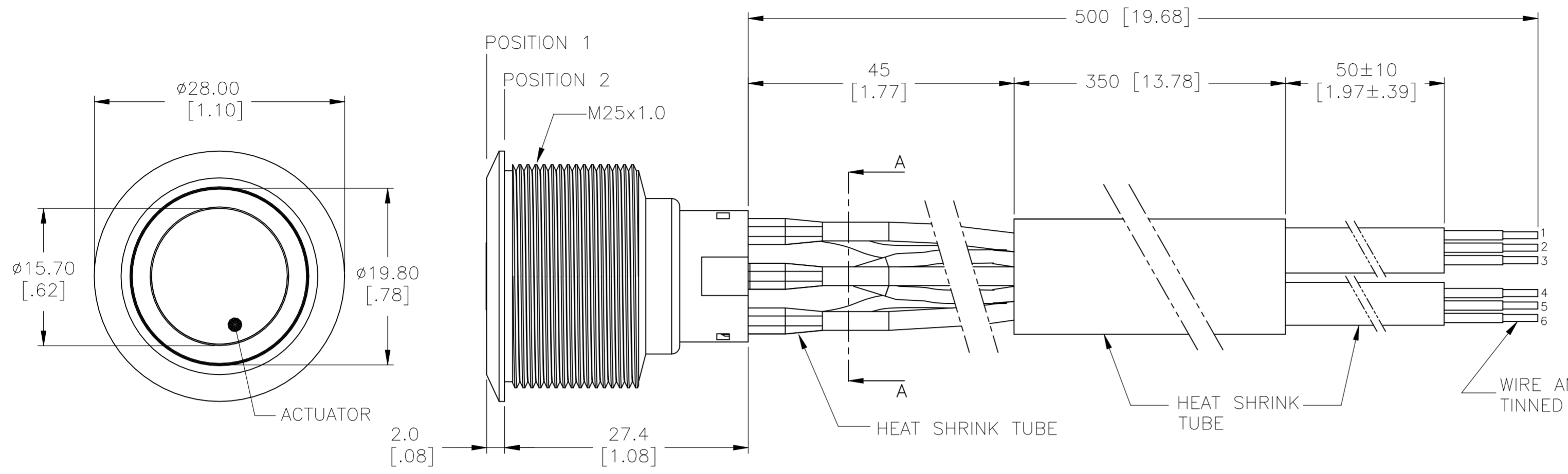


THIS DRAWING IS A CONTROLLED DOCUMENT.		DWN SHIVAKUMAR S S 16MAR2017																				
DIMENSIONS: mm [INCHES]		CHK SANJAY SHINDIKAR 16MAR2017																				
TOLERANCES UNLESS OTHERWISE SPECIFIED:		APVD SANJAY SHINDIKAR 16MAR2017	NAME ANTI-VANDAL SWITCH 25mm, NO LED AND FLYING LEADS																			
<table border="1"> <tr><td>0 PLC</td><td>±</td><td>-</td></tr> <tr><td>1 PLC</td><td>±</td><td>0.4[.016]</td></tr> <tr><td>2 PLC</td><td>±</td><td>0.25[.010]</td></tr> <tr><td>3 PLC</td><td>±</td><td>-</td></tr> <tr><td>4 PLC</td><td>±</td><td>-</td></tr> <tr><td>ANGLES</td><td>±</td><td>2°</td></tr> </table>		0 PLC	±	-	1 PLC	±	0.4[.016]	2 PLC	±	0.25[.010]	3 PLC	±	-	4 PLC	±	-	ANGLES	±	2°	PRODUCT SPEC -	SIZE A2	CAGE CODE 00779
0 PLC	±	-																				
1 PLC	±	0.4[.016]																				
2 PLC	±	0.25[.010]																				
3 PLC	±	-																				
4 PLC	±	-																				
ANGLES	±	2°																				
MATERIAL -		FINISH -	WEIGHT -	DRAWING NO C=2317655																		
CUSTOMER DRAWING			SCALE 1:1	SHEET 1 OF 3																		
			RESTRICTED TO -	REV A1																		

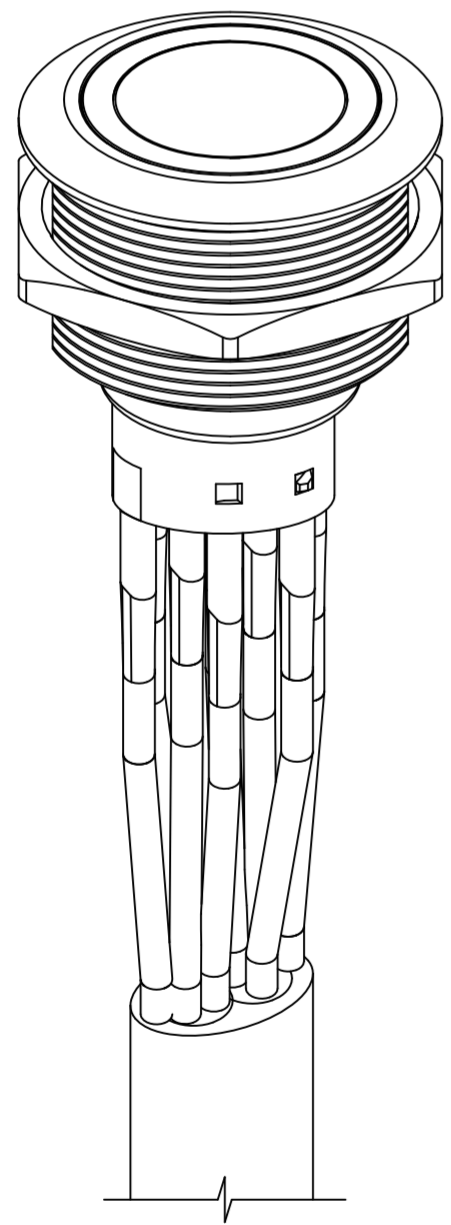
THIS DRAWING IS UNPUBLISHED. RELEASED FOR PUBLICATION
 © COPYRIGHT - By - ALL RIGHTS RESERVED.

REVISIONS					
P	LTR	DESCRIPTION	DATE	DWN	APVD
-	-	SEE SHEET 1	-	-	-

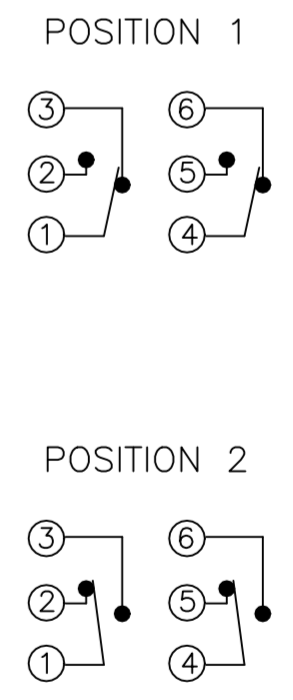
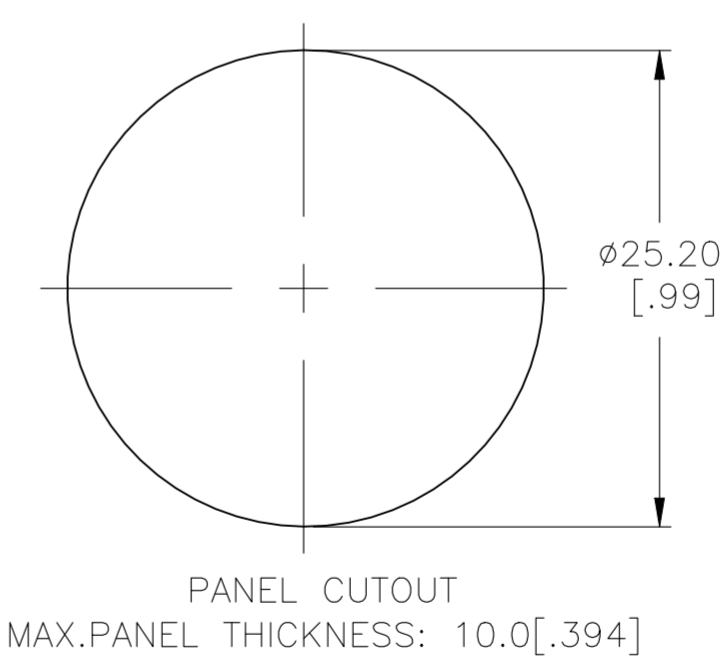
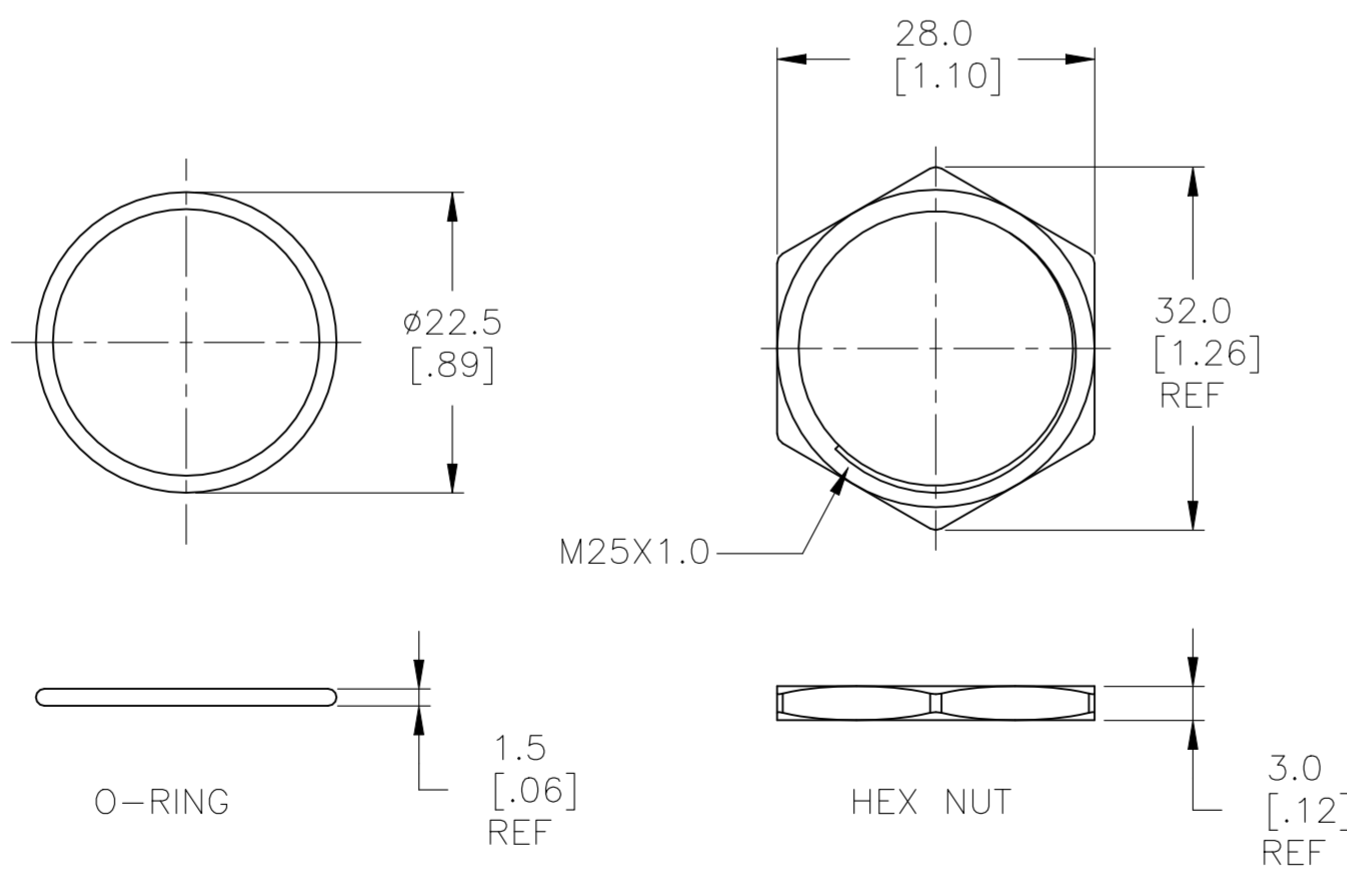
DOUBLE POLE SWITCH WITH NO LED AND WITH FLYING LEADS



WIRE=18AWG, 300V(YELLOW/GREEN/PURPLE)



ASSEMBLED VIEW



THIS DRAWING IS A CONTROLLED DOCUMENT.		DWN 16MAR2017 SHIVAKUMAR S S				
DIMENSIONS: mm [INCHES]		CHK 16MAR2017 SANJAY SHINDIKAR				
TOLERANCES UNLESS OTHERWISE SPECIFIED:		APVD 16MAR2017 SANJAY SHINDIKAR	NAME ANTI-VANDAL SWITCH 25mm, NO LED AND FLYING LEADS			
0 PLC ± -		PRODUCT SPEC	SIZE	CAGE CODE	DRAWING NO	RESTRICTED TO
1 PLC ± 0.4[.016]		APPLICATION SPEC	A2	00779	C=2317655	-
2 PLC ± 0.25[.010]		WEIGHT	0	SCALE	1:1	SHEET
3 PLC ± -		MATERIAL	-	CUSTOMER DRAWING	1:1	2 OF 3
4 PLC ± -		FINISH	-	SCALE	1:1	REV
ANGLES ± 2°						A1

THIS DRAWING IS UNPUBLISHED. RELEASED FOR PUBLICATION
 © COPYRIGHT - By - ALL RIGHTS RESERVED.

REVISIONS					
P	LTR	DESCRIPTION	DATE	DWN	APVD
-	-	SEE SHEET 1	-	-	-

SPECIFICATION:

CONTACT RATING: SILVER; 3A @ 250VAC RESISTIVE
 GOLD; 0.4A @ 20VDC OR PEAK AC
 INSULATION RESISTANCE: 1,000MΩ MIN AT 500VDC
 DIELECTRIC STRENGTH: 2,000V RMS @ SEA LEVEL
 CONTACT RESISTANCE: 50mΩ MAX @ 1A 12VDC (INITIAL VALUE), SOLDER TERMINALS
 100mΩ MAX @ 1A 12VDC(INITIAL VALUES), FLYING LEADS.
 ELECTRICAL LIFE CYCLES: 50,000 MAKE AND BREAK CYCLES AT FULL LOAD.
 ACTUATION FORCE: SP: 2.5±1 N. DP: 3.5±1 N
 ACTUATION TRAVEL: APPROXIMATELY 3.2mm
 SEALED PER IP67, IK08
 OPERATING TEMPERATURE: -20°C TO +55°C
 MECHANICAL LIFECYCLES: MOMENTARY; 1,000,000 CYCLES
 LOCKING; 500,000 CYCLES
 HARDWARE TORQUE: 5-14 N-m.

MATERIALS

BUSHING: STAINLESS STEEL,
 BASE: PBT (UL 94-V0), PC (UL 94-V2),
 ACTUATOR: STAINLESS STEEL, PC
 O-RING: SILICONE,
 TERMINAL/CONTACT: COPPER BASE, SILVER/GOLD PLATED,
 HEX NUT: BRASS BASE, NICKEL PLATED,
 WIRE:UL3385.
 INNER ASSEMBLY: POM/PA66
 SPRING: SPRING STEEL
 SEALING: SILICONE

- ALL MATERIAL AND FINISHES SHALL COMPLY WITH EU DIRECTIVE 2002/95/EC OF 27JAN2003(ROHS).

SILVER	FLYING LEADS TERMINALS	DOUBLE POLE -- LOCKING	-	-	AV2521000T5Q04	2317655-4
		DOUBLE POLE -- MOMENTARY	-	-	AV2520000T5Q04	2317655-3
		SINGLE POLE -- LOCKING	-	-	AV2511000T5Q04	2317655-2
		SINGLE POLE -- MOMENTARY	-	-	AV2510000T5Q04	2317655-1
CONTACT FINISH	TERMINAL OPTION	POLE/THROW	LED COLOR	LED VOLTAGE	TE DESCRIPTIVE PART NUMBER	TE PART NUMBER

THIS DRAWING IS A CONTROLLED DOCUMENT.		DWN 16MAR2017 SHIVAKUMAR S S	STE TE Connectivity			
DIMENSIONS: mm [INCHES]		CHK 16MAR2017 SANJAY SHINDIKAR				
TOLERANCES UNLESS OTHERWISE SPECIFIED:		APVD 16MAR2017 SANJAY SHINDIKAR	NAME ANTI-VANDAL SWITCH 25mm, NO LED AND FLYING LEADS			
0 PLC ± - 1 PLC ± 0.4[.016] 2 PLC ± 0.25[.010] 3 PLC ± - 4 PLC ± - ANGLES ± 2°		PRODUCT SPEC -	RESTRICTED TO -			
MATERIAL -		FINISH -	WEIGHT 0	SIZE A2	CAGE CODE 00779	DRAWING NO C=2317655
CUSTOMER DRAWING			SCALE 1:1	SHEET 3 of 3	REV A1	