

MATERIALS & SPECIFICATIONS

PART NO.	A22007-001	REV	ECO	DATE	APP
		F	101393	03-17-15	TLM

INSULATOR: LIQUID CRYSTAL POLYMER (LCP) PER ASTM D5138.

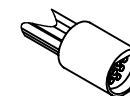
CONTACT: COPPER ALLOY PER MIL-DTL-83513. GOLD PLATED PER ASTM B488, (HARD GOLD) TYPE II CODE C CLASS 1.27.

TERMINATION: 26 AWG (7-34) TYPE E. PER NEMA HP3, COLOR CODED PER TABLE

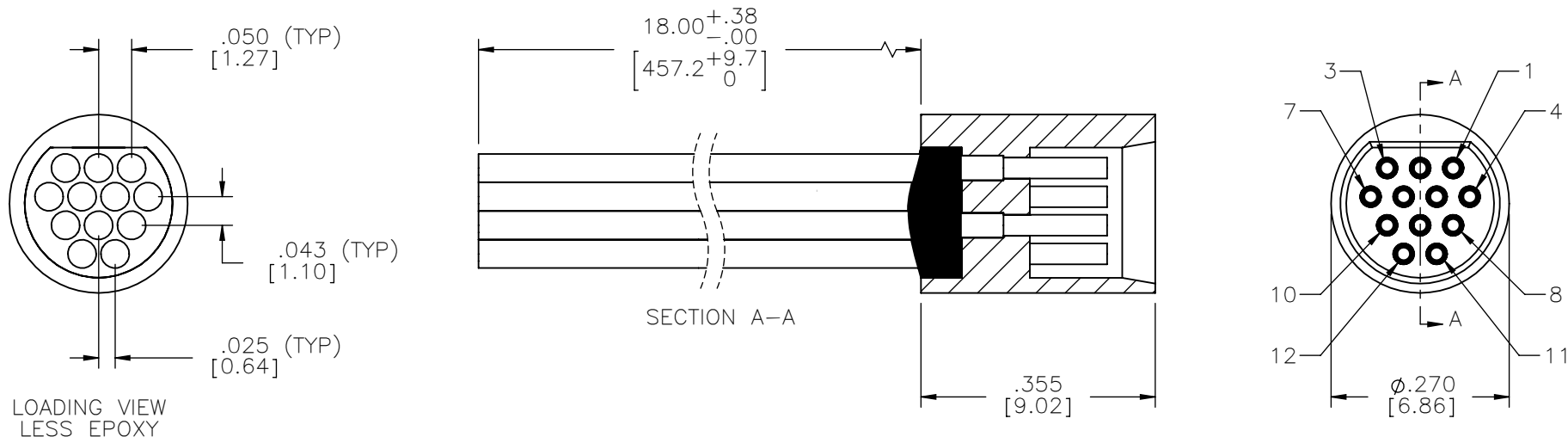
CURRENT CAPACITY 3 AMP MAX.

CONTACT RESISTANCE 26 MILLIOHMS (65mV) MAX @ 2.5 AMPS.

PERFORMANCE: PRODUCT FAMILY TESTED TO AND PASSED THE PERFORMANCE SPECIFICATIONS OF TABLE VII OF MIL-DTL-83513.



ACTUAL SIZE EXCLUDING WIRE LENGTH



INTERNAL USE ONLY

USE MFG LOADING PROCEDURE MC-12S

NOTE:

DIMENSIONS IN [] ARE IN MILLIMETERS UNLESS OTHERWISE NOTED AND ARE FOR REFERENCE ONLY

SOCKET #	COLOR
1	BLACK
2	BROWN
3	RED
4	ORANGE
5	YELLOW
6	GREEN
7	BLUE
8	VIOLET
9	GRAY
10	WHITE
11	WHT/BLACK
12	WHT/BROWN

MCTS SCM SLEM	THIRD ANGLE	THIS DRAWING CONTAINS CONFIDENTIAL AND PROPRIETARY INFORMATION WHICH IS THE PROPERTY OF OMNETICS CONNECTOR CORP. THIS DOCUMENT MAY NOT, IN WHOLE OR IN PART, BE DUPLICATED, OR DISCLOSED FOR ANY PURPOSE, WITHOUT WRITTEN PERMISSION FROM OMNETICS CONNECTOR CORP.	DATE	TITLE:
	-TOLERANCES-		2/28/2001	(12) SOCKET FEMALE
	UNLESS OTHERWISE NOTED		DATE	CIRCULAR
	DIMENSIONS IN INCHES		DATE	CONNECTOR
	2 PL DEC ± .01			
	3 PL DEC ± .005	CHK'D.		
	4 PL DEC ± .0005	DATE		
	ANGLES ± 1°	APP'D.		

RoHS

<p>OMNETICS CONNECTOR CORPORATION</p> <p>7260 COMMERCE CIRCLE EAST MINNEAPOLIS, MN 55432 WWW.OMNETICS.COM</p>	CAGE CODE 61873	
	DWG NO. A22007-001	
	SHEET 1 OF 1	REV F
		SCALE: 4:1