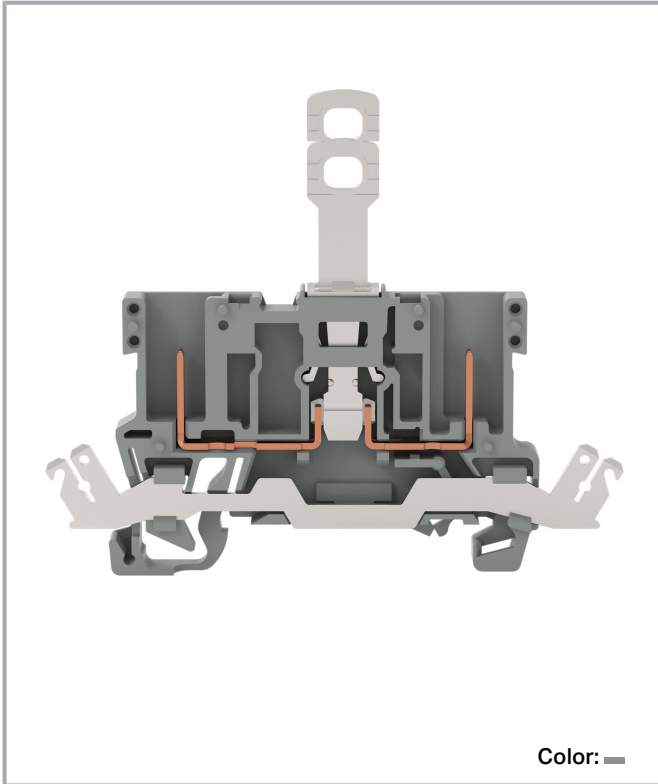


**Data sheet | Item number: 769-223**

2-pin disconnect carrier terminal block; with shield contact; for DIN-rail 35 x 15 and 35 x 7.5; gray

[www.wago.com/769-223](http://www.wago.com/769-223)



**Data**

**Notes**

Safety information

2-conductor female plugs cannot be used.

**Electrical data**

**Ratings per IEC/EN**

|                               |   |
|-------------------------------|---|
| Nominal voltage (III/3)       | 250 V   |
| Rated impulse voltage (III/3) | 4 kV  |
| Rated current                 | 16 A  |
| Legend (ratings)              | (III / 3) ≙ Overvoltage category III / Pollution degree 3 |

Subject to changes. Please also observe the further product documentation!

WAGO GmbH & Co. KG  
Hansastr. 27  
32423 Minden  
Phone: +49571 887-0 | Fax: +49571 887-169  
Email: [info.de@wago.com](mailto:info.de@wago.com) | Web: [www.wago.com](http://www.wago.com)

Do you have any questions about our products?  
We are always happy to take your call at +49 (571) 887-44222.



## Power loss

|  |      |
|--|------|
| Rated current $I_N$ for specified power loss | 16 A |
|--|------|

## Connection data

|                            |   |
|----------------------------|---|
| Total number of potentials | 1 |
| Number of levels           | 1 |

## Connection 1

|                  |                    |
|------------------|--------------------|
| Wiring direction | Front-entry wiring |
|------------------|--------------------|

## Physical data

|                                   |                        |
|-----------------------------------|------------------------|
| Width                             | 5 mm / 0.197 inches    |
| Height                            | 71.5 mm / 2.815 inches |
| Depth from upper-edge of DIN-rail | 28.5 mm / 1.122 inches |

## Mechanical Data

|               |                 |
|---------------|-----------------|
| Design        | horizontal type |
| Mounting type | DIN-35 rail     |
| Marking level | Center marking  |

## Material Data

|                      |  |
|----------------------|--|
| Note (material data) | Information on material specifications can be found here |
|----------------------|--|

|                             |                  |
|-----------------------------|------------------|
| Color                       | gray             |
| Material group              | I                |
| Insulation material         | Polyamide (PA66) |
| Flammability class per UL94 | V0               |
| Fire load                   | 0.112 MJ         |
| Weight                      | 7.3 g            |

## Environmental requirements

|                                  |                 |
|----------------------------------|-----------------|
| Processing temperature           | -35 ... +85 °C  |
| Continuous operating temperature | -60 ... +105 °C |

Subject to changes. Please also observe the further product documentation!

## Commercial data






|                       |                   |
|-----------------------|-------------------|
| Product Group         | 18 (X-COM-System) |
| eCl@ss 10.0           | 27-14-11-26       |
| eCl@ss 9.0            | 27-14-11-26       |
| ETIM 8.0              | EC000902          |
| ETIM 7.0              | EC000902          |
| PU (SPU)              | 50 pcs            |
| Packaging type        | box               |
| Country of origin     | DE                |
| GTIN                  | 4050821107408     |
| Customs tariff number | 85365080900       |

## Environmental Product Compliance

|                        |                         |
|------------------------|-------------------------|
| RoHS Compliance Status | Compliant, No Exemption |
|------------------------|-------------------------|



## Approvals / Certificates

### General approvals



| Logo   | Approval                              | Additional Approval Text | Certificate name |
|--|---------------------------------------|--------------------------|------------------|
|  | CCA<br>DEKRA Certification B.V.       | EN 60947                 | NTR NL-7626      |
|  | CSA<br>DEKRA Certification B.V.       | C22.2 No. 158            | 1101144          |
|  | KEMA/KEUR<br>DEKRA Certification B.V. | EN 60947                 | 2190419.01       |
|  | UL<br>Underwriters Laboratories Inc.  | UL 1977                  | E 45171          |
|  | UR<br>Underwriters Laboratories Inc.  | UL 1059                  | E45172           |

Subject to changes. Please also observe the further product documentation!




## Declarations of conformity and manufacturer's declarations

| Logo   | Approval   | Additional Approval Text | Certificate name |
|--|--|--------------------------|------------------|
|  | EU-Declaration of Conformity<br>WAGO GmbH & Co. KG | -                        | -                |
|  | UK-Declaration of Conformity<br>WAGO GmbH & Co. KG | -                        | -                |

## Approvals for marine applications

| Logo  | Approval   | Additional Approval Text | Certificate name         |
|---|--|--------------------------|--------------------------|
|   | ABS<br>American Bureau of Shipping               | EN 60947                 | 20-<br>HG1941090-<br>PDA |
|  | DNV GL<br>Det Norske Veritas, Germanischer Lloyd | -                        | TAE00001V2               |

## Counterpart

|   |   |  |
|---|---|--|
|  | <b>Item no.769-101</b><br>1-conductor female connector; CAGE CLAMP®; 4 mm <sup>2</sup> ; Pin spacing 5 mm; 1-pole; coding finger; 4,00 mm <sup>2</sup> ; gray                 | <a href="http://www.wago.com/769-101">www.wago.com/769-101</a>                 |
|  | <b>Item no.769-101/022-000</b><br>1-conductor female connector, angled; CAGE CLAMP®; 4 mm <sup>2</sup> ; Pin spacing 5 mm; 1-pole; coding finger; 4,00 mm <sup>2</sup> ; gray | <a href="http://www.wago.com/769-101/022-000">www.wago.com/769-101/022-000</a> |
|  | <b>Item no.769-121</b><br>2-conductor female connector; CAGE CLAMP®; 4 mm <sup>2</sup> ; Pin spacing 5 mm; 1-pole; coding finger; 4,00 mm <sup>2</sup> ; gray                 | <a href="http://www.wago.com/769-121">www.wago.com/769-121</a>                 |

## Required accessories

## End plate

| End plate  |  |  |
|--|--|--|
|  | <b>Item no.: 769-305</b><br>End and intermediate plate; 1.1 mm thick; gray | <a href="http://www.wago.com/769-305">www.wago.com/769-305</a> |

Subject to changes. Please also observe the further product documentation!



**Item no.: 769-306**  
End and intermediate plate; 1.1 mm thick; orange

[www.wago.com/769-306](http://www.wago.com/769-306)

## Optional accessories

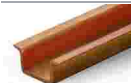
### Carrier rail

#### Mounting accessories



**Item no.: 210-197**  
Steel carrier rail; 35 x 15 mm; 1.5 mm thick; 2 m long; slotted; similar to EN 60715; silver-colored

[www.wago.com/210-197](http://www.wago.com/210-197)



**Item no.: 210-198**  
Copper carrier rail; 35 x 15 mm; 2.3 mm thick; 2 m long; unslotted; according to EN 60715; copper-colored

[www.wago.com/210-198](http://www.wago.com/210-198)



**Item no.: 210-504**  
Steel carrier rail; 35 x 7.5 mm; 1 mm thick; 2 m long; slotted; galvanized; according to EN 60715; silver-colored

[www.wago.com/210-504](http://www.wago.com/210-504)



**Item no.: 210-505**  
Steel carrier rail; 35 x 7.5 mm; 1 mm thick; 2 m long; unslotted; galvanized; according to EN 60715; silver-colored

[www.wago.com/210-505](http://www.wago.com/210-505)



**Item no.: 210-506**  
Steel carrier rail; 35 x 15 mm; 1.5 mm thick; 2 m long; unslotted; galvanized; similar to EN 60715; silver-colored

[www.wago.com/210-506](http://www.wago.com/210-506)



**Item no.: 210-508**  
Steel carrier rail; 35 x 15 mm; 1.5 mm thick; 2 m long; slotted; galvanized; similar to EN 60715; silver-colored

[www.wago.com/210-508](http://www.wago.com/210-508)



**Item no.: 210-113**  
Steel carrier rail; 35 x 7.5 mm; 1 mm thick; 2 m long; unslotted; according to EN 60715; silver-colored

[www.wago.com/210-113](http://www.wago.com/210-113)



**Item no.: 210-118**  
Steel carrier rail; 35 x 15 mm; 2.3 mm thick; 2 m long; unslotted; according to EN 60715; silver-colored

[www.wago.com/210-118](http://www.wago.com/210-118)



**Item no.: 210-112**  
Steel carrier rail; 35 x 7.5 mm; 1 mm thick; 2 m long; slotted; according to EN 60715; "Hole width 25 mm; silver-colored

[www.wago.com/210-112](http://www.wago.com/210-112)



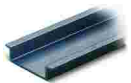
**Item no.: 210-114**  
Steel carrier rail; 35 x 15 mm; 1.5 mm thick; 2 m long; unslotted; similar to EN 60715; silver-colored

[www.wago.com/210-114](http://www.wago.com/210-114)



**Item no.: 210-115**  
Steel carrier rail; 35 x 7.5 mm; 1 mm thick; 2 m long; slotted; according to EN 60715; "Hole width 18 mm; silver-colored

[www.wago.com/210-115](http://www.wago.com/210-115)



**Item no.: 210-196**  
Aluminum carrier rail; 35 x 8.2 mm; 1.6 mm thick; 2 m long; unslotted; similar to EN 60715; silver-colored

[www.wago.com/210-196](http://www.wago.com/210-196)

### Cover

#### Cover

Subject to changes. Please also observe the further product documentation!



**Item no.: 769-438**

Pin cover; with marker slot for miniature WSB; gray

[www.wago.com/769-438](http://www.wago.com/769-438)



**Item no.: 769-439**

Pin cover; with marker slot for miniature WSB; orange

[www.wago.com/769-439](http://www.wago.com/769-439)

## Mounting

### Mounting accessories



**Item no.: 209-106**

Mounting carrier; for isolated mounting on DIN 35 rails; gray

[www.wago.com/209-106](http://www.wago.com/209-106)



**Item no.: 249-116**

Screwless end stop; 6 mm wide; for DIN-rail 35 x 15 and 35 x 7.5; gray

[www.wago.com/249-116](http://www.wago.com/249-116)

## Lock-out

### Locking system



**Item no.: 709-170**

Disconnect lock; for disconnect tab used on 280/281 and 769 Series disconnect terminal blocks; red

[www.wago.com/709-170](http://www.wago.com/709-170)

## Marking accessories

### Marker



**Item no.: 2009-145**

Mini-WSB Inline; for Smart Printer; 1700 pieces on roll; stretchable 5 - 5.2 mm; plain; snap-on type; white

[www.wago.com/2009-145](http://www.wago.com/2009-145)



**Item no.: 248-501**

Mini-WSB marking card; as card; not stretchable; plain; snap-on type; white

[www.wago.com/248-501](http://www.wago.com/248-501)

## Tool

### Operating tool



**Item no.: 210-720**

Operating tool; Blade: 3.5 x 0.5 mm; with a partially insulated shaft; multicoloured

[www.wago.com/210-720](http://www.wago.com/210-720)

## Coding

### Coding



**Item no.: 769-435**

Coding pin; for coding of female plugs; for carrier terminal blocks / male connectors; orange

[www.wago.com/769-435](http://www.wago.com/769-435)

## Downloads

### Documentation

#### Bid Text

Subject to changes. Please also observe the further product documentation!

WAGO GmbH & Co. KG

Hansastr. 27

32423 Minden

Phone: +49571 887-0 | Fax: +49571 887-169

Email: [info.de@wago.com](mailto:info.de@wago.com) | Web: [www.wago.com](http://www.wago.com)

Do you have any questions about our products?

We are always happy to take your call at +49 (571) 887-44222.



|                        |             |                |          |
|------------------------|-------------|----------------|----------|
| 769-223<br>X81 - Datei | 2019 Feb 19 | xml<br>3.0 kB  | Download |
| 769-223<br>doc - Datei | 2017 Oct 2  | doc<br>24.6 kB | Download |

#### Additional Information

|   |  |               |          |
|---|--|---------------|----------|
| Technical Section<br>Technical explanations |  | pdf<br>2.2 MB | Download |
|---|--|---------------|----------|

#### CAD/CAE-Data

##### CAD data

|                      |  |     |          |
|----------------------|--|-----|----------|
| 2D/3D Models 769-223 |  | URL | Download |
|----------------------|--|-----|----------|

##### CAE data

|                           |  |     |          |
|---------------------------|--|-----|----------|
| EPLAN Data Portal 769-223 |  | URL | Download |
|---------------------------|--|-----|----------|

|                        |  |     |          |
|------------------------|--|-----|----------|
| WSCAD Universe 769-223 |  | URL | Download |
|------------------------|--|-----|----------|

|                      |  |     |          |
|----------------------|--|-----|----------|
| ZUKEN Portal 769-223 |  | URL | Download |
|----------------------|--|-----|----------|

#### Environmental Product Compliance

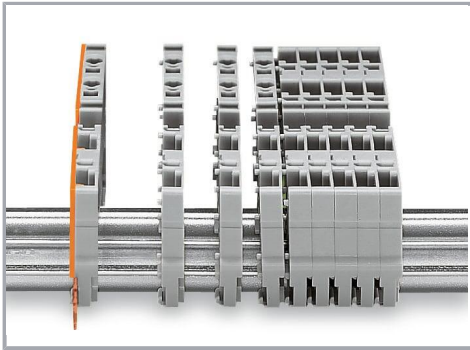
##### Compliance Search

|   |  |     |          |
|---|--|-----|----------|
| Environmental Product Compliance 769-223<br>2-pin disconnect carrier terminal block; with shield contact; for DIN-rail 35 x 15 and 35 x 7.5; gray |  | URL | Download |
|---|--|-----|----------|

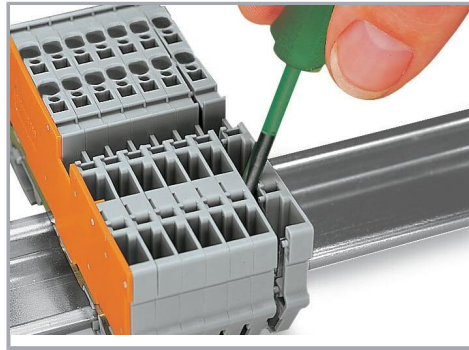
#### Installation Notes

##### Installation

Subject to changes. Please also observe the further product documentation!

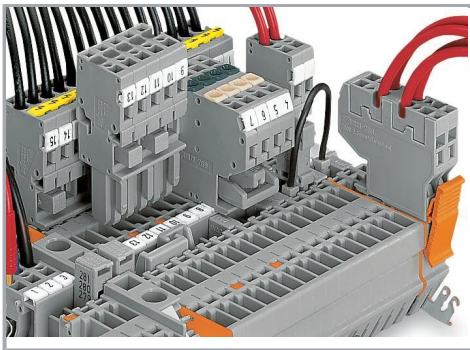


Snap individual carrier terminal blocks onto the DIN-rail and slide together.



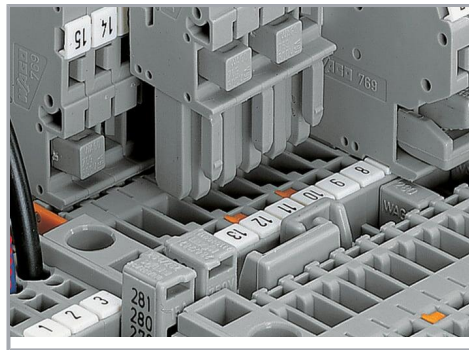
Open the assembly by laterally sliding a block via operating tool and remove terminal block via release lever.

### Commoning



Commoning with adjacent or staggered jumpers.

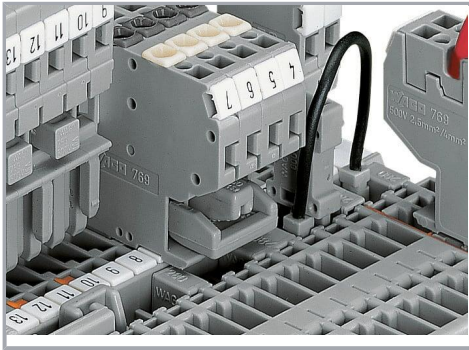
Push jumpers down until fully inserted.



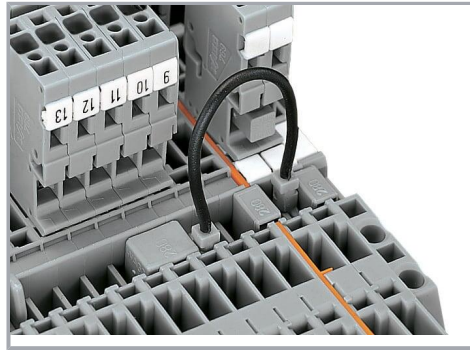
Commoning carrier terminal blocks via staggered jumpers.

Subject to changes. Please also observe the further product documentation!

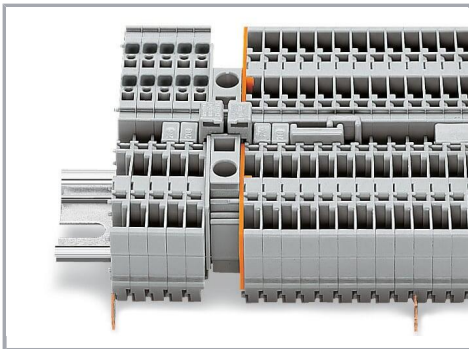




Commoning a 2-conductor female plug via staggered jumper and carrier terminal blocks via adjacent jumpers.



Commoning carrier terminal blocks via push-in type wire jumpers or adjacent jumpers – even over an intermediate plate.



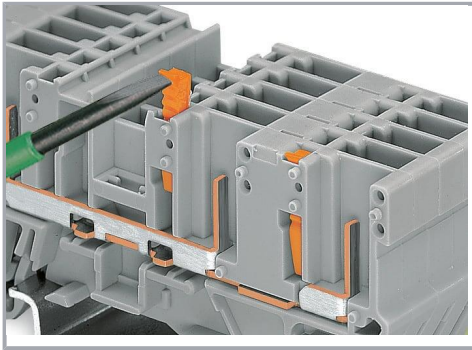
Commoning "supply terminal blocks" (up to 10 mm<sup>2</sup>/8 AWG) with carrier terminal blocks via step-down jumpers.

## Coding

Subject to changes. Please also observe the further product documentation!

WAGO GmbH & Co. KG  
Hansastr. 27  
32423 Minden  
Phone: +49571 887-0 | Fax: +49571 887-169  
Email: [info.de@wago.com](mailto:info.de@wago.com) | Web: [www.wago.com](http://www.wago.com)

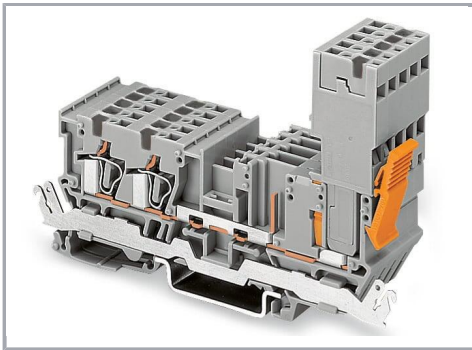
Do you have any questions about our products?  
We are always happy to take your call at +49 (571) 887-44222.



Snap coding pin in proper direction on carrier terminal block.

Shown: Coding pin removal from carrier terminal block.

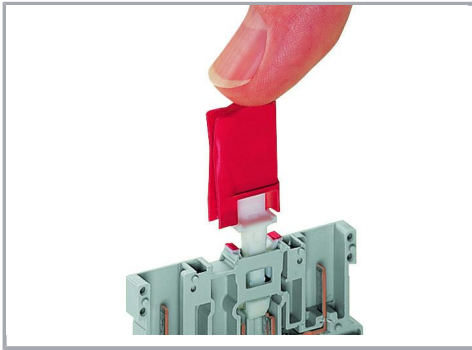
#### Locking system



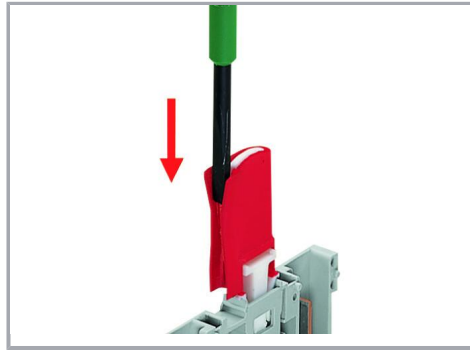
Securing a female plug via locking lever on the terminal block side.

#### Security

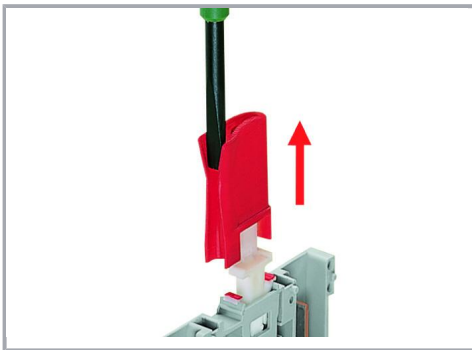
Subject to changes. Please also observe the further product documentation!



Installing a disconnect lock on the terminal block's disconnect tab.



Unlocking a disconnect lock.



Removing a disconnect lock.

## Product family

X-COM

[Show all products from the family](#)

Subject to changes. Please also observe the further product documentation!