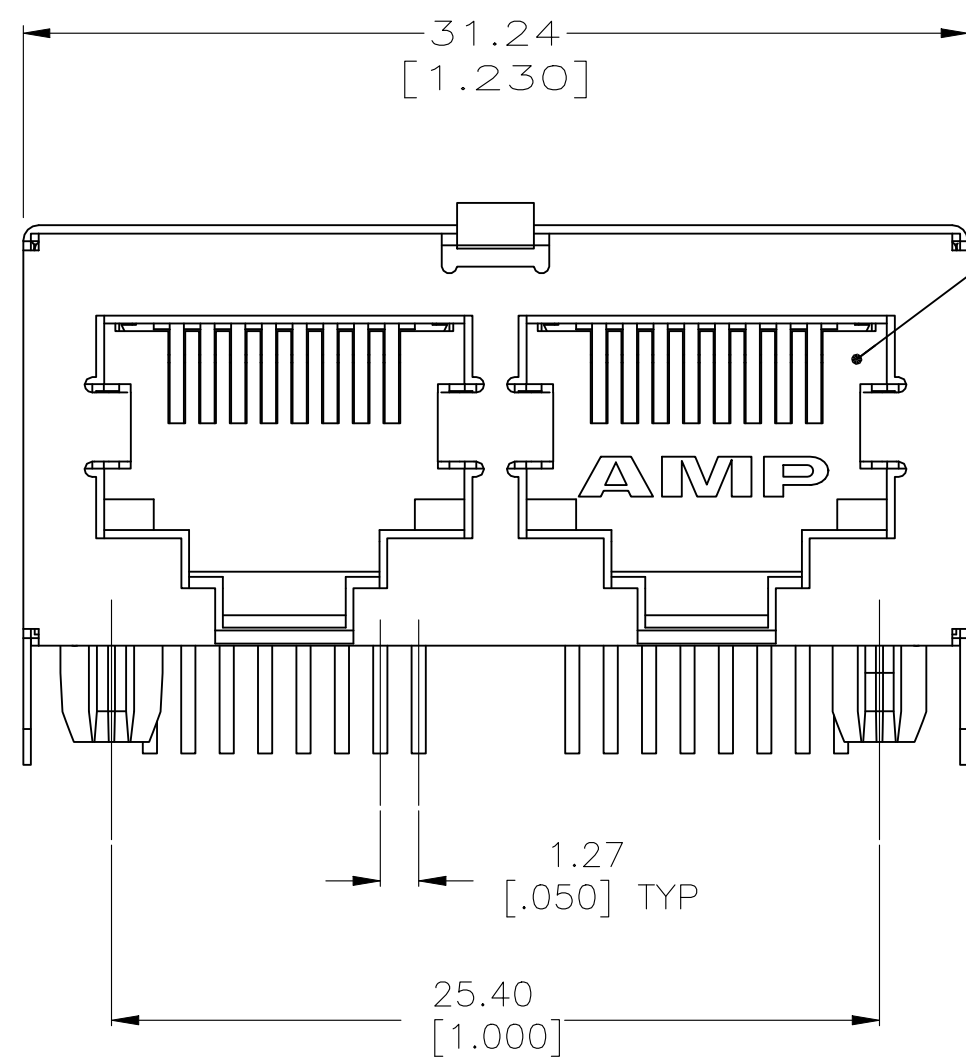
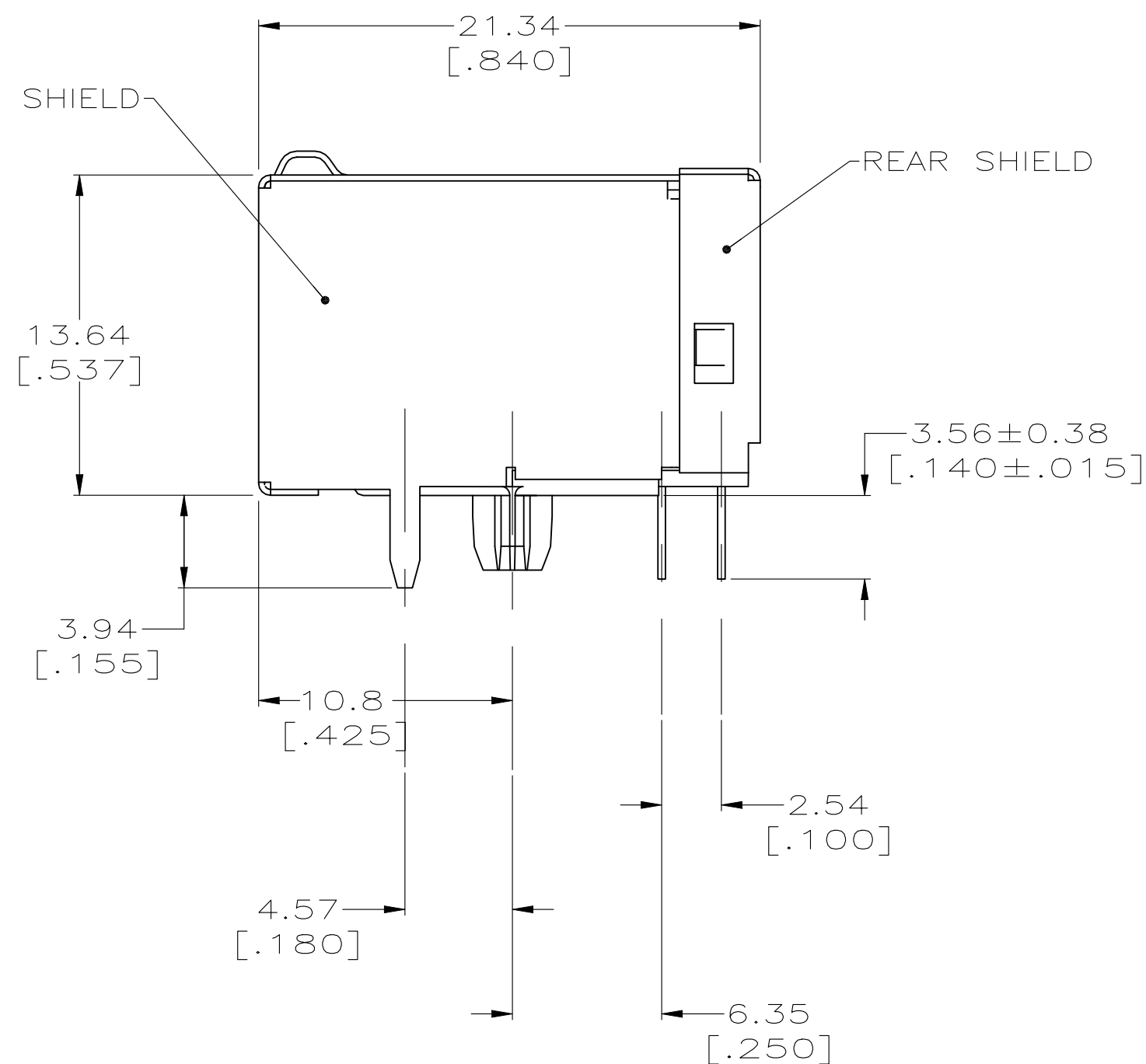


REVISIONS					
P	LTR	DESCRIPTION	DATE	DWN	APVD
D1		ECR-19-014657	13DEC2020	RR	SZ



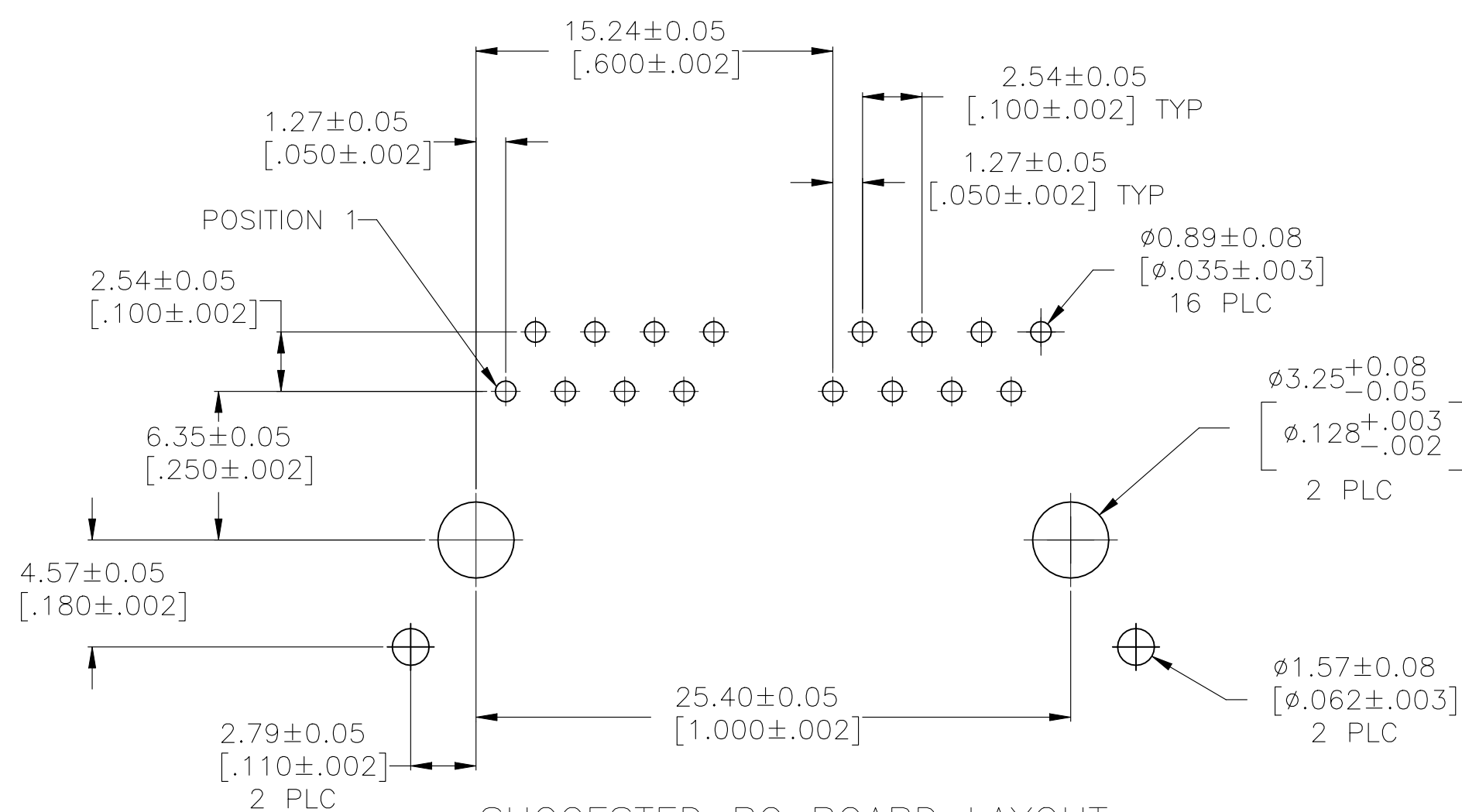
FRONT SHIELD



REAR SHIELD

- MATERIAL: HOUSING – NYLON, COLOR: BLACK, UL 94V-0. OVERMOLDED TERMINAL ARRAY – PBT, BROWN. TERMINALS – 0.33[.013] THICK PHOS BRONZE PLATED WITH 1.27 μm[.000050] MIN THICK HARD GOLD IN LOCALIZED AREA AND 3.81 μm [.000150] MINIMUM THICK MATTE TIN IN SOLDER AREA OVER 1.27 μm[.000050] MIN THICK NICKEL UNDERPLATE. SHIELD – 0.25[.010] THICK COPPER ALLOY PLATED WITH 1.27 μm [.000050] MIN NICKEL AND 2.03 μm [.000080] MIN HOT TIN DIP ON PCB GROUND TABS.

△ JACK CAVITY CONFORMS TO FCC RULES AND REGULATIONS, PART 68 SUBPART F.



SUGGESTED PC BOARD LAYOUT
COMPONENT SIDE
SEE APPLICATION SPECIFICATION

5558434-1
PART NUMBER

THIS DRAWING IS A CONTROLLED DOCUMENT.		DWN G. GARRETT/L.A.MAYER 09MAY2005	TE Connectivity	
DIMENSIONS: mm		CHK C. WHITT 09MAY2005	APVD S.FLICKINGER 09MAY2005	
TOLERANCES UNLESS OTHERWISE SPECIFIED:		NAME MODULAR JACK ASY, 2 PORT, 8 POSITION, RIGHT ANGLE, PANEL GROUND, CATEGORY 5e		
0 PLC ± - 1 PLC ± - 2 PLC ± 0.25[.01] 3 PLC ± 0.13[.005] 4 PLC ± - ANGLES ± -		PRODUCT SPEC 108-1163-2 APPLICATION SPEC 114-2048		
MATERIAL SEE NOTE 1		WEIGHT 0.000000		
FINISH SEE NOTE 1		SCALE 4:1		
		SHEET 1 OF 1		
		REV D1		