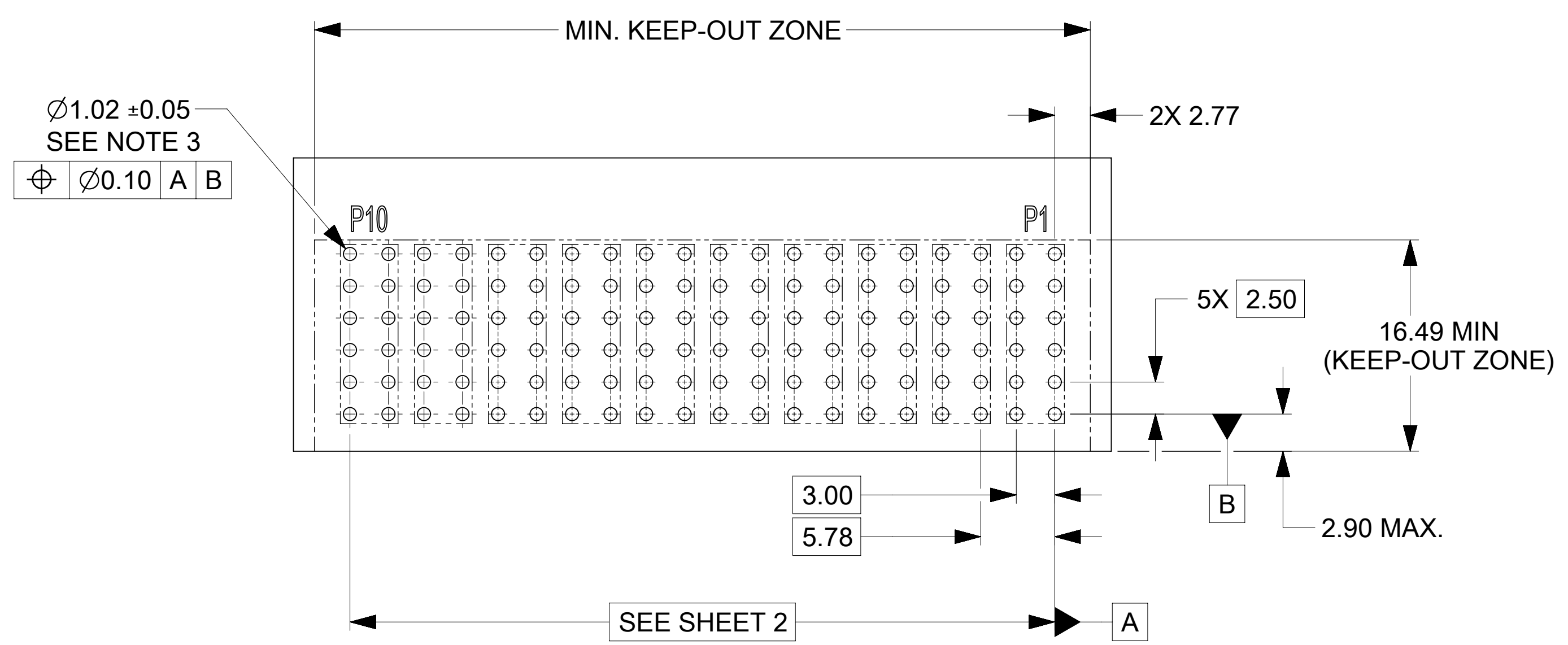


**PLUG MATED TO R/A RECEPTACLE
MATED PROFILE**

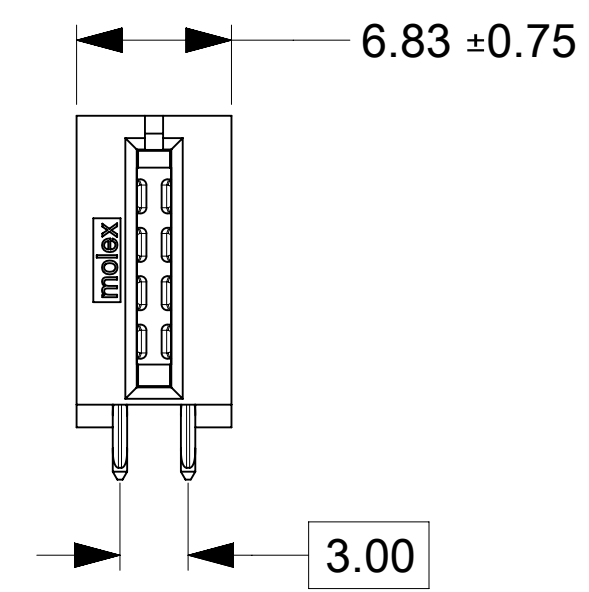


- NOTES:**
- MATERIAL:**
 - HOUSINGS: LCP UL94, V-0, COLOR : BLACK
 - TERMINALS: HIGH CONDUCTIVITY COPPER ALLOY
 - PLATING: 1.27 μm (50 μin) NICKEL OVERALL WITH 2.54 μm (100 μin) SELECTIVE TIN ON TAILS AND 0.762 μm (30 μin) SELECTIVE GOLD ON CONTACT AREA
 - PACKAGING:** ASSEMBLIES TO BE TRAY PACKED PER PACKAGING SPEC: 2141150010-PK.
 - PLATED THRU HOLE SIZE,** REFER TO PRODUCT SPEC. FOR DETAILS.
 - PRODUCT SPEC:** 2141130000-PS.
 - PRODUCT TO MEET RoHS REQUIREMENTS.**
 - VERTICAL ASSEMBLY MATES TO MOLEX PLUG 219562XXXX-SD, SEE DRAWING FOR DETAILS.**
 - TAIL DESIGN: COMPLIANT PIN.**
 - POWER TERMINALS ARE LUBRICATED.**
 - APPLICATION SPECIFICATION: 2141130000-AS (FOR COMPLIANT TAILS ONLY).**

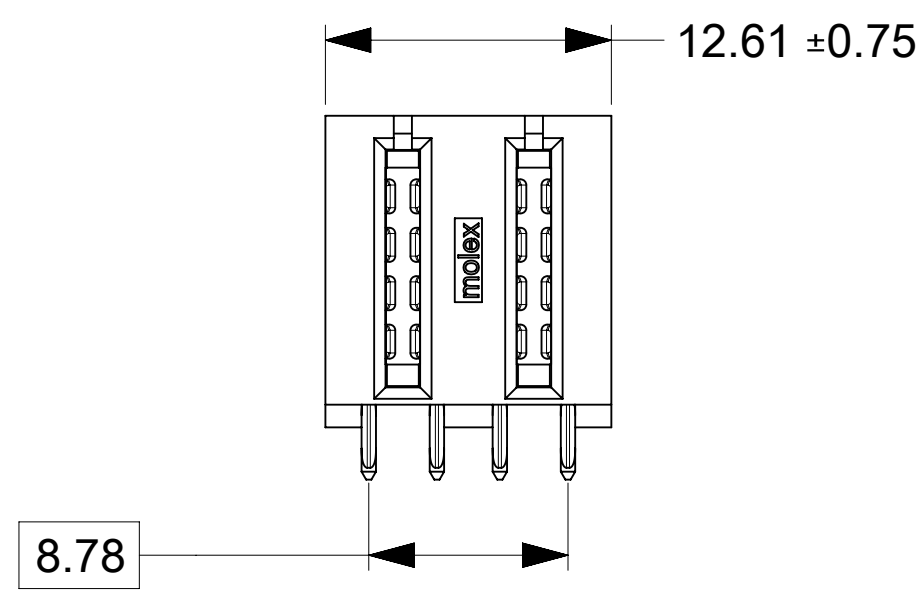
RECOMMENDED PCB LAYOUT AND KEEP-OUT ZONE

THIS DRAWING CONTAINS INFORMATION THAT IS PROPRIETARY TO MOLEX ELECTRONIC TECHNOLOGIES, LLC AND SHOULD NOT BE USED WITHOUT WRITTEN PERMISSION									
DIMENSION UNITS	SCALE	CURRENT REV DESC:							
mm	3:1	<p style="text-align: center;">molex</p> <p style="text-align: center;">GUARDIAN HD REC POWER ONLY UNGUIDED PF</p> <p style="text-align: center;">PRODUCT CUSTOMER DRAWING</p>							
GENERAL TOLERANCES (UNLESS SPECIFIED)									
ANGULAR TOL	± °								
4 PLACES	±								
3 PLACES	±								
2 PLACES	± 0.25	EC NO: 745288	2023/03/24		DOCUMENT NUMBER		DOC TYPE	DOC PART	REVISION
1 PLACE	± 0.3	DRWN: LZABJANOVSKI	2022/04/01		2195649003-SD		PSD	000	A3
0 PLACES	±	CHK'D: JAYK1	2023/04/10		MATERIAL NUMBER		CUSTOMER		SHEET NUMBER
DRAFT WHERE APPLICABLE MUST REMAIN WITHIN DIMENSIONS		THIRD ANGLE PROJECTION	DRAWING	SERIES	SEE CHART		1 OF 2		
			D-SIZE	219564					

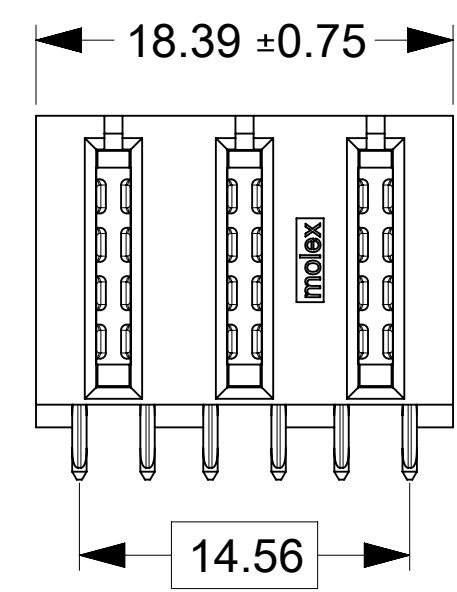
PART NUMBER	CONFIGURATION	QUANTITY PER CARTON (DU)
219564-0031	1P	585



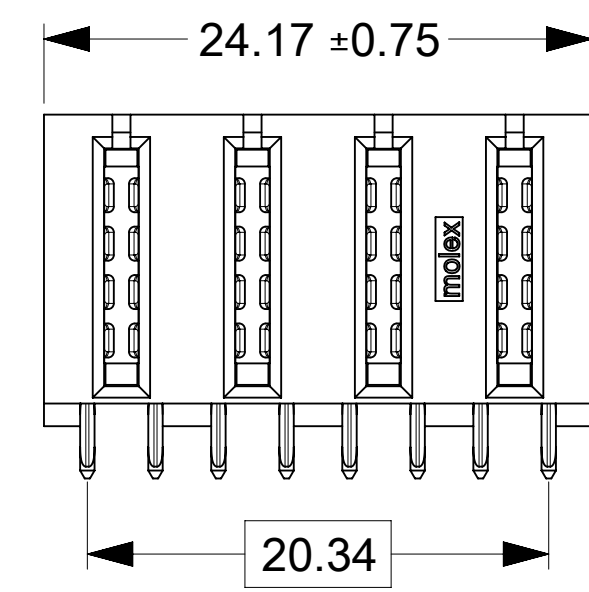
PART NUMBER	CONFIGURATION	QUANTITY PER CARTON (DU)
219564-0032	2P	315



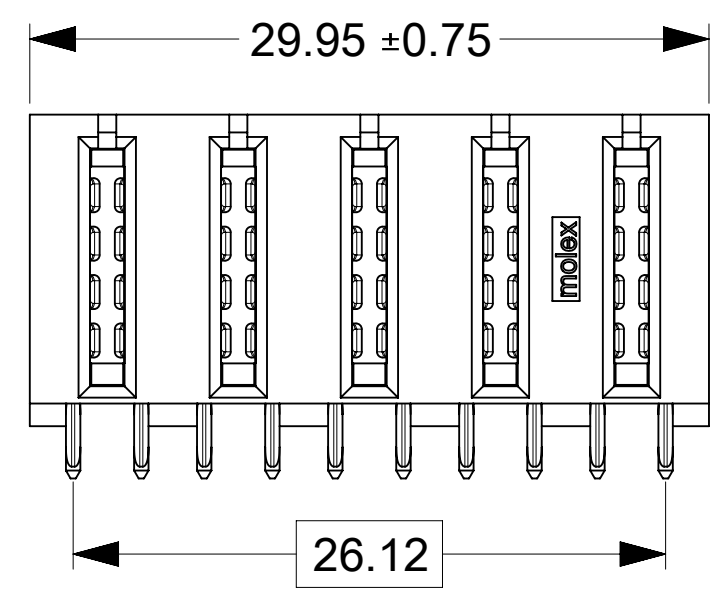
PART NUMBER	CONFIGURATION	QUANTITY PER CARTON (DU)
219564-0033	3P	210



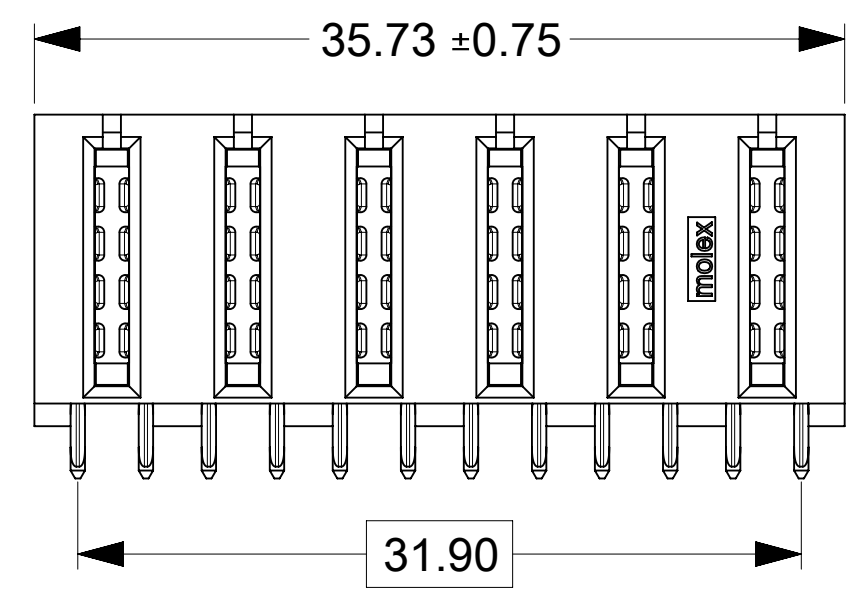
PART NUMBER	CONFIGURATION	QUANTITY PER CARTON (DU)
219564-0034	4P	165



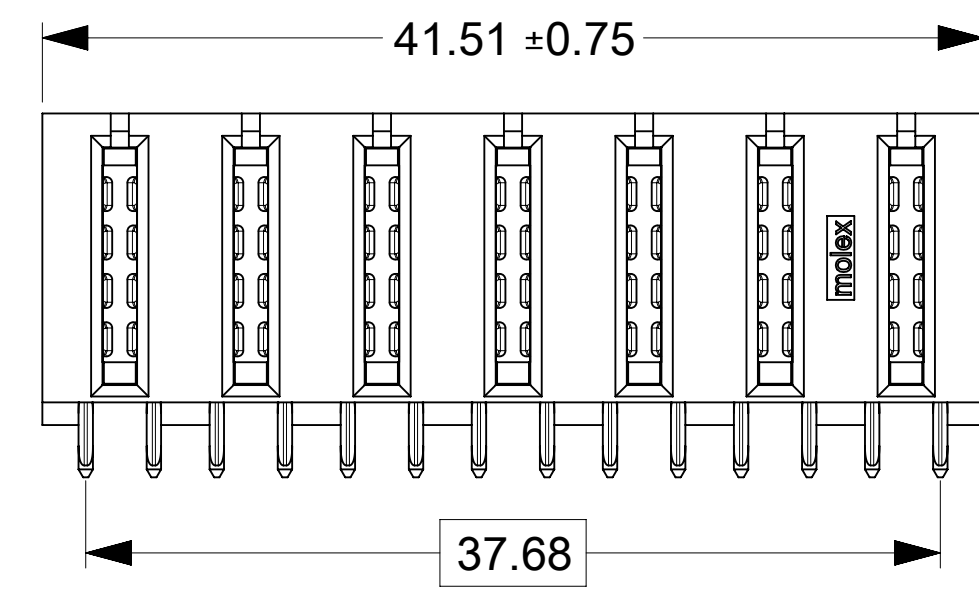
PART NUMBER	CONFIGURATION	QUANTITY PER CARTON (DU)
219564-0035	5P	120



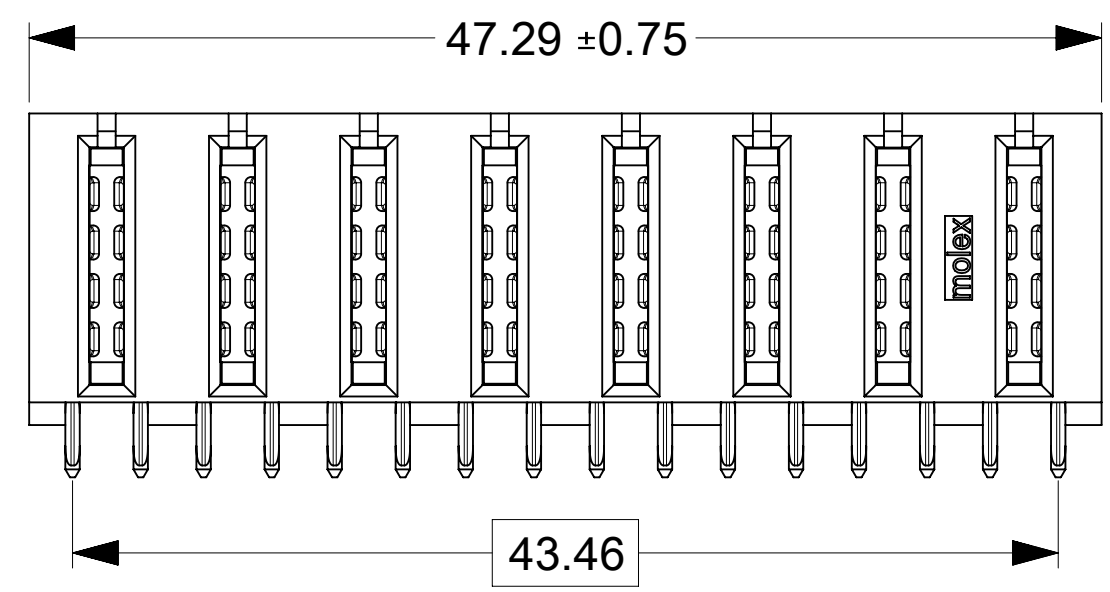
PART NUMBER	CONFIGURATION	QUANTITY PER CARTON (DU)
219564-0036	6P	105



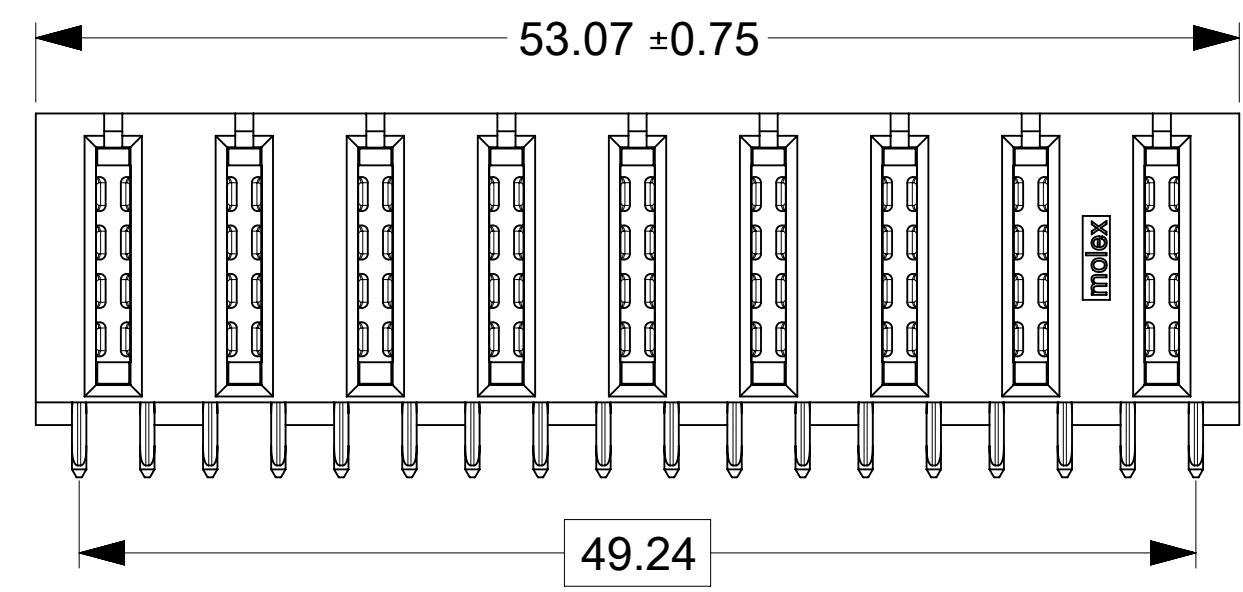
PART NUMBER	CONFIGURATION	QUANTITY PER CARTON (DU)
219564-0037	7P	90



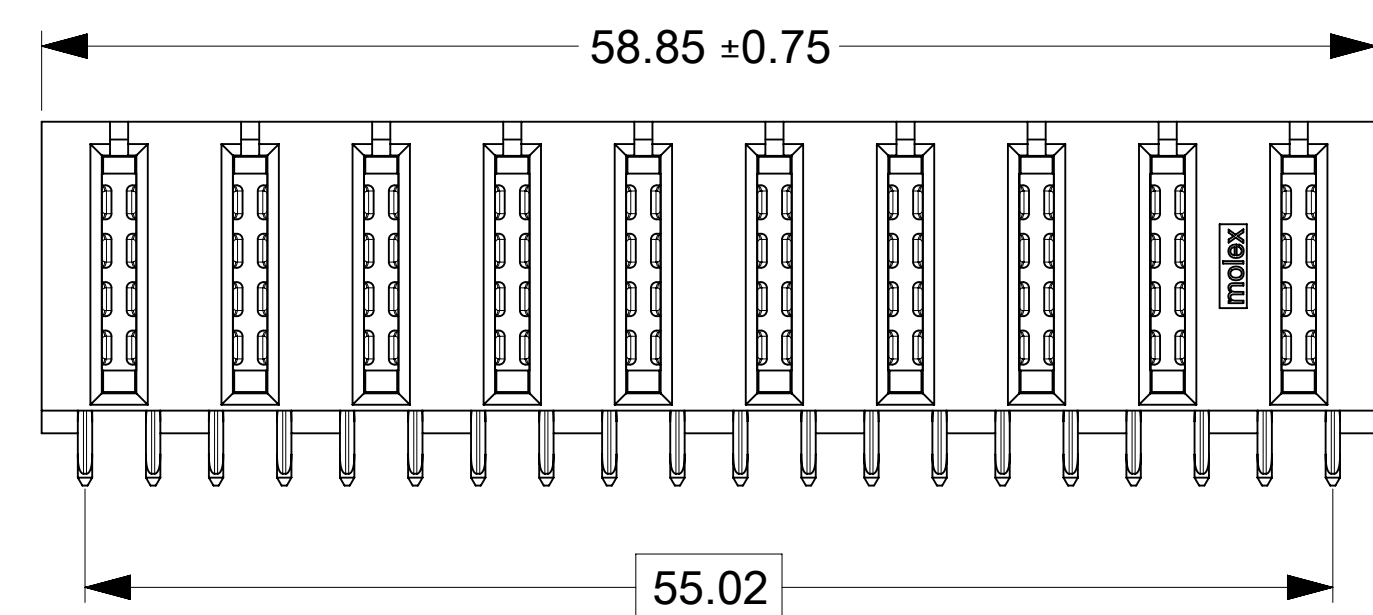
PART NUMBER	CONFIGURATION	QUANTITY PER CARTON (DU)
219564-0038	8P	75



PART NUMBER	CONFIGURATION	QUANTITY PER CARTON (DU)
219564-0039	9P	75



PART NUMBER	CONFIGURATION	QUANTITY PER CARTON (DU)
219564-0040	10P	60



THIS DRAWING CONTAINS INFORMATION THAT IS PROPRIETARY TO MOLEX ELECTRONIC TECHNOLOGIES, LLC AND SHOULD NOT BE USED WITHOUT WRITTEN PERMISSION

DIMENSION UNITS	SCALE	CURRENT REV DESC:	
mm	3:1		
GENERAL TOLERANCES (UNLESS SPECIFIED)			
ANGULAR TOL	±	°	
4 PLACES	±		
3 PLACES	±		
2 PLACES	±	0.25	
1 PLACE	±	0.3	
0 PLACES	±		
DRAFT WHERE APPLICABLE MUST REMAIN WITHIN DIMENSIONS		THIRD ANGLE PROJECTION	DRAWING
			D-SIZE
		SERIES	219564
		MATERIAL NUMBER	SEE CHART
		CUSTOMER	
		SHEET NUMBER	2 OF 2

molex

GUARDIAN HD REC POWER ONLY
UNGUIDED PF

PRODUCT CUSTOMER DRAWING

DOCUMENT NUMBER	DOC TYPE	DOC PART	REVISION
2195649003-SD	PSD	000	A3