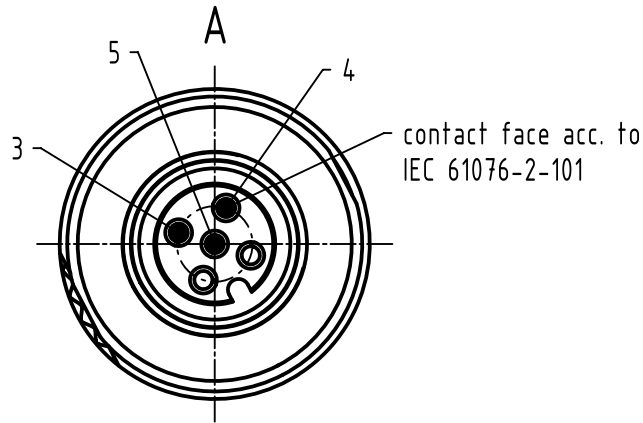
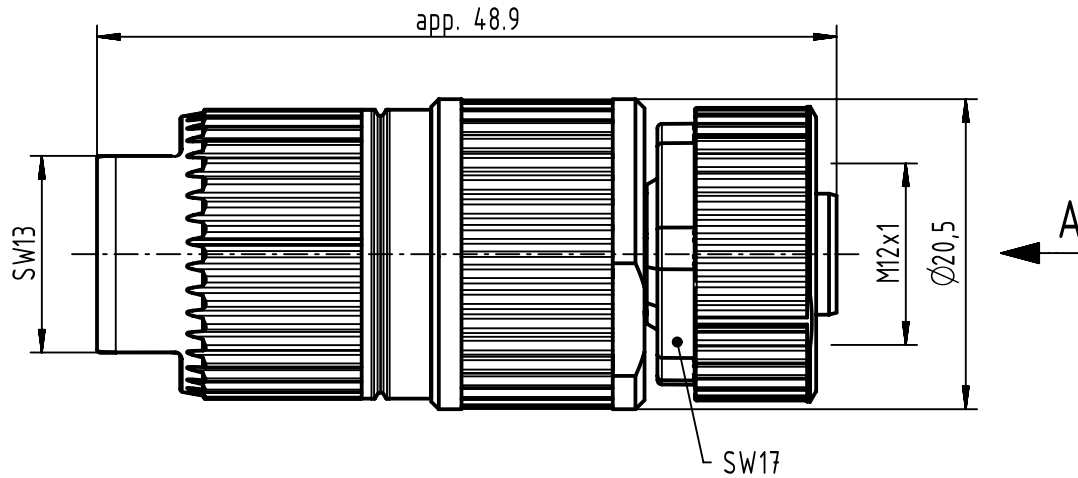
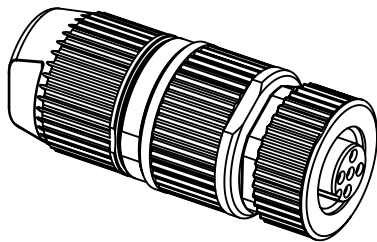
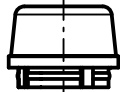
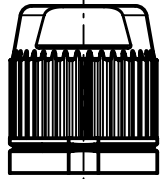


1 2 3 4 5 6

(1:1)



conductor cross section	0.34 - 0.75mm ² AWG22-AWG18
cable outside diameter	6.0 - 8.0mm

All Dimensions in mm Original Size DIN A4	Scale 2:1		Free size tol.		Ref. Sub. TB 21032122400 / 50000095997 / 2015-11-13	
	All rights reserved Department EC PD - DE HARTING Electronics GmbH D-32339 Espelkamp	Created by HELLMANN	Inspected by EISFELD	Standardisation HOFFMANN	Date 2016-02-25	State Final Release
Title HARTING M12-L 3-pole A-coded female Type TB Number 21032122400					Doc-Key / ECM-Nr. 100191038/UGD/002/D 500000100313 Rev. D Page 1/1	