

CUSTOMER PRINT

PART NUMBER: 16982-XPG-5XX

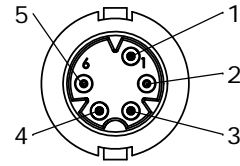
ASS'Y P/N	CONTACT QTY.	KEY STYLE
16982-5PG-5XX	5 - #26	A-KEY
16982-6PG-5XX	6 - #26	B-KEY
16982-7PG-5XX	7 - #26	A-KEY

ASS'Y P/N	CABLE O.D.
16982-XPG-518	0.175 - 0.185 [4.4-4.7]
16982-XPG-521	0.205 - 0.215 [5.2-5.5]
16982-XPG-522	0.215 - 0.225 [5.5-5.7]

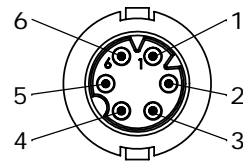
- NOTES:  
 1. PARTS ARE TO BE BULK PACKED.  
 2. CONTACTS ARE ASSEMBLED INTO CONNECTOR.  
 3. PARENTHESIS ( ) INDICATE REFERENCE DIMENSION.  
 4. BRACKETS [ ] INDICATE METRIC DIMENSIONS.

NUMBER OF CONTACTS

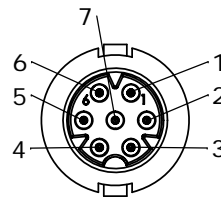
GROMMET SIZE



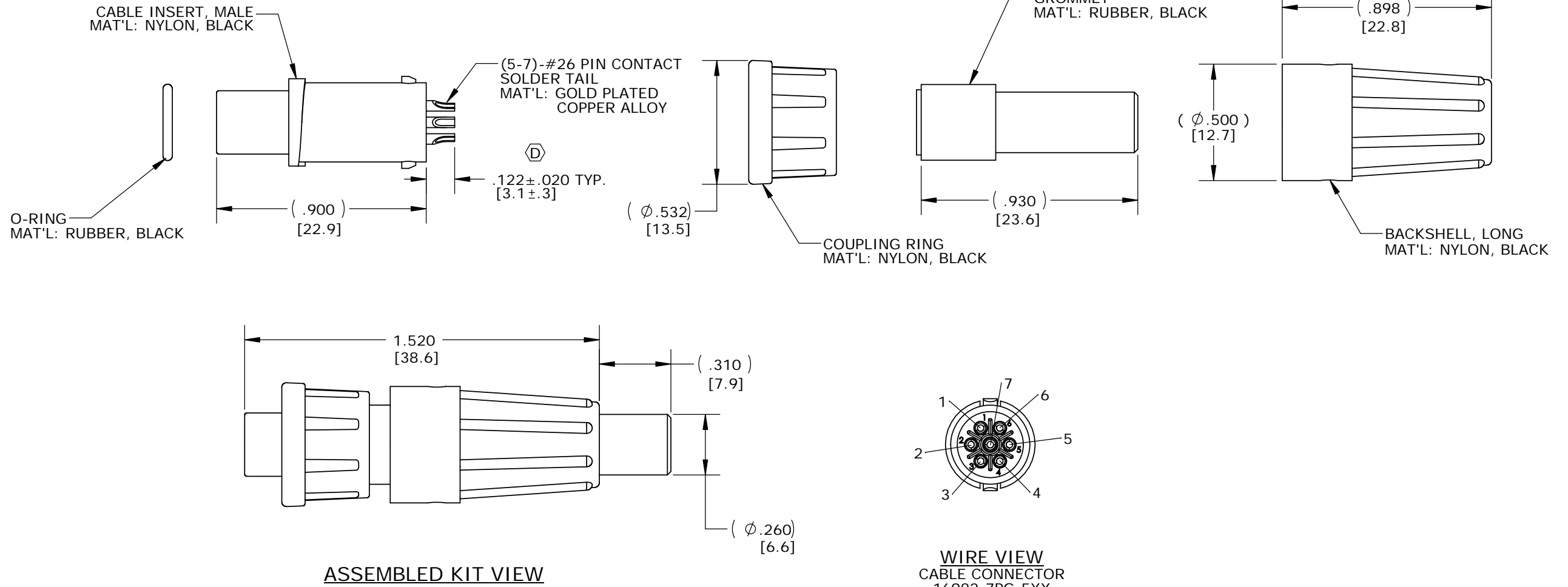
FACE VIEW  
 16982-5PG-5XX  
 5 POSITION  
 A-KEY



FACE VIEW  
 16982-6PG-5XX  
 6 POSITION  
 B-KEY



FACE VIEW  
 16982-7PG-5XX  
 7 POSITION  
 A-KEY



ASSEMBLED KIT VIEW

WIRE VIEW  
 CABLE CONNECTOR  
 16982-7PG-5XX

CUSTOMER APPROVAL

THIS DOCUMENT CONTAINS CONFIDENTIAL INFORMATION PROPRIETARY TO CONXALL CORPORATION. ANY REPRODUCTION, DISCLOSURE, OR USE OF THIS DOCUMENT /INFORMATION IS EXPRESSLY PROHIBITED UNLESS AUTHORIZED IN WRITING BY CONXALL CORPORATION.

APPROVED BY: \_\_\_\_\_  
 DATE: \_\_\_\_\_

RoHS COMPLIANT

REV.	INIT.	DATE	DESCRIPTION
D	MA	10-27-17	TOL. ON CONTACT LOCATION DIM WAS ±.010 PER ECR 9211 #1
C	AN	03-26-12	DRAWING NO. WAS 16982-XPG-XXX, REMOVED SHORT BACKSHELL ASSEMBLIES. PER ECR 8074
B	PD	09-01-11	UPDATE MANUFACTURING DRAWING PER ECR 7959
A	PAK	02-11-10	DRAWING CREATED PER DOR 06-E168CS

ALL INFORMATION ILLUSTRATED IS THE PROPERTY OF CONXALL CORPORATION. UNAUTHORIZED DUPLICATION OR DISTRIBUTION OF THIS DOCUMENT IS PROHIBITED.		ORIG. DRAWN BY: PAK DATE: 02-11-10 CHECKED BY:	 601 E. WILDWOOD VILLA PARK, IL 60181
ALL UNITS ARE IN FEET, INCHES, FRACTION OF INCHES AND DECIMALS.		APPROVED BY:	
SCALE: NTS	SIZE: B	SHEET: 1 OF 1	TITLE: CABLE CONNECTOR KIT #26 PIN CONTACT, SOLDER CUP MICRO-CON-X, A-KEY & B-KEY STANDARD PRODUCT CUSTOMER:
FILE: 16982-XPG-5XX	DIRECTORY: SLW	PART NUMBER: 16982-XPG-5XX	REV D