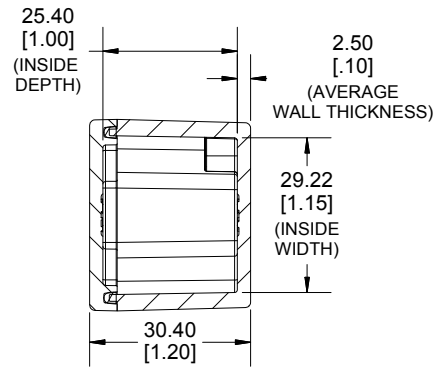
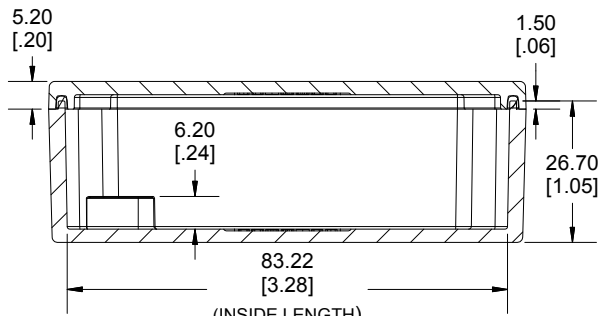


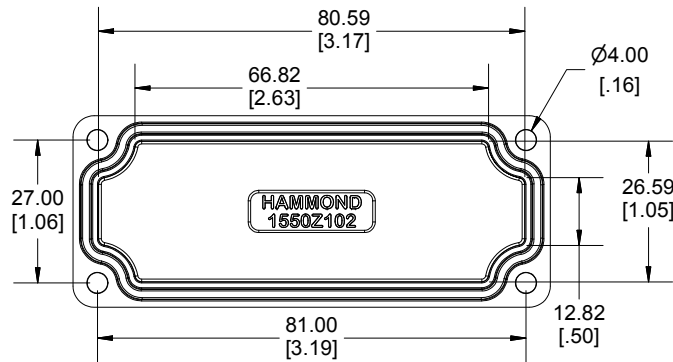
**TOP VIEW**



**SECTION A-A  
END VIEW**



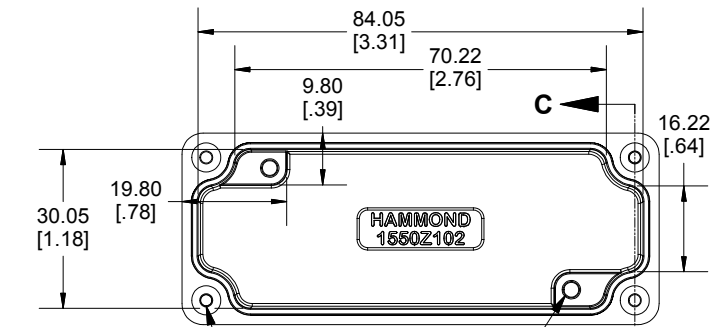
**SECTION B-B  
SIDE VIEW**



**INSIDE LID**



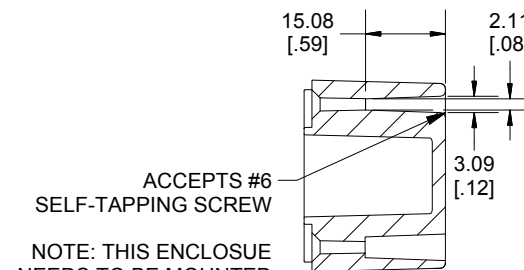
Enclosures can be Factory Modified ( Milling, Drilling, Printing etc.)  
 Contact Factory [mjm@hammondmfg.com](mailto:mjm@hammondmfg.com) for quotes  
 Solid models of this enclosure available in STEP or IGES.  
 (Part number and text placement/orientation on our products are subject to change,  
 we do not recommend using them as a locating reference for modification purposes)



**INSIDE BOX**

ACCEPTS M4 - 0.7  
MACHINE SCREW

ACCEPTS  
#6 SELF TAPPING  
GROUND SCREW



**SECTION C-C  
MOUNTING HOLE**

ACCEPTS #6  
SELF-TAPPING SCREW  
  
NOTE: THIS ENCLOSURE  
NEEDS TO BE MOUNTED  
FROM THE BOTTOM SIDE

NOTE	
Purchased assembly includes box, lid, silicone gasket, and 4 cover screws. Box and lid are made from Diecast Aluminum Alloy.	
<b>Screws should not be torqued past 5-7.5 lbf.in ( 50 -75 cN.m)</b>	
PART NUMBERS	
1550Z102 Enclosure	
Basic Enclosure	1550Z102
Black Enclosure	1550Z102BK
ACCESSORIES	
Pre-Formed Silicone Gasket	1550Z102GASKET

**HAMMOND  
MANUFACTURING**

**1550Z102**

[www.hammondmfg.com](http://www.hammondmfg.com)

Dimensions:  
mm  
[inches]