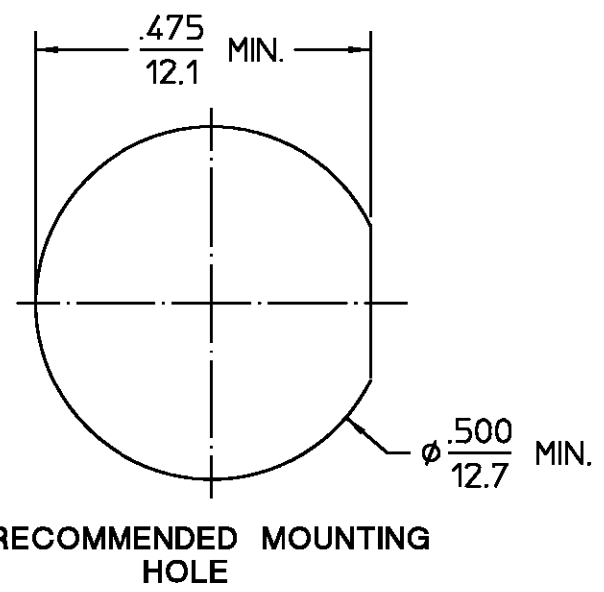
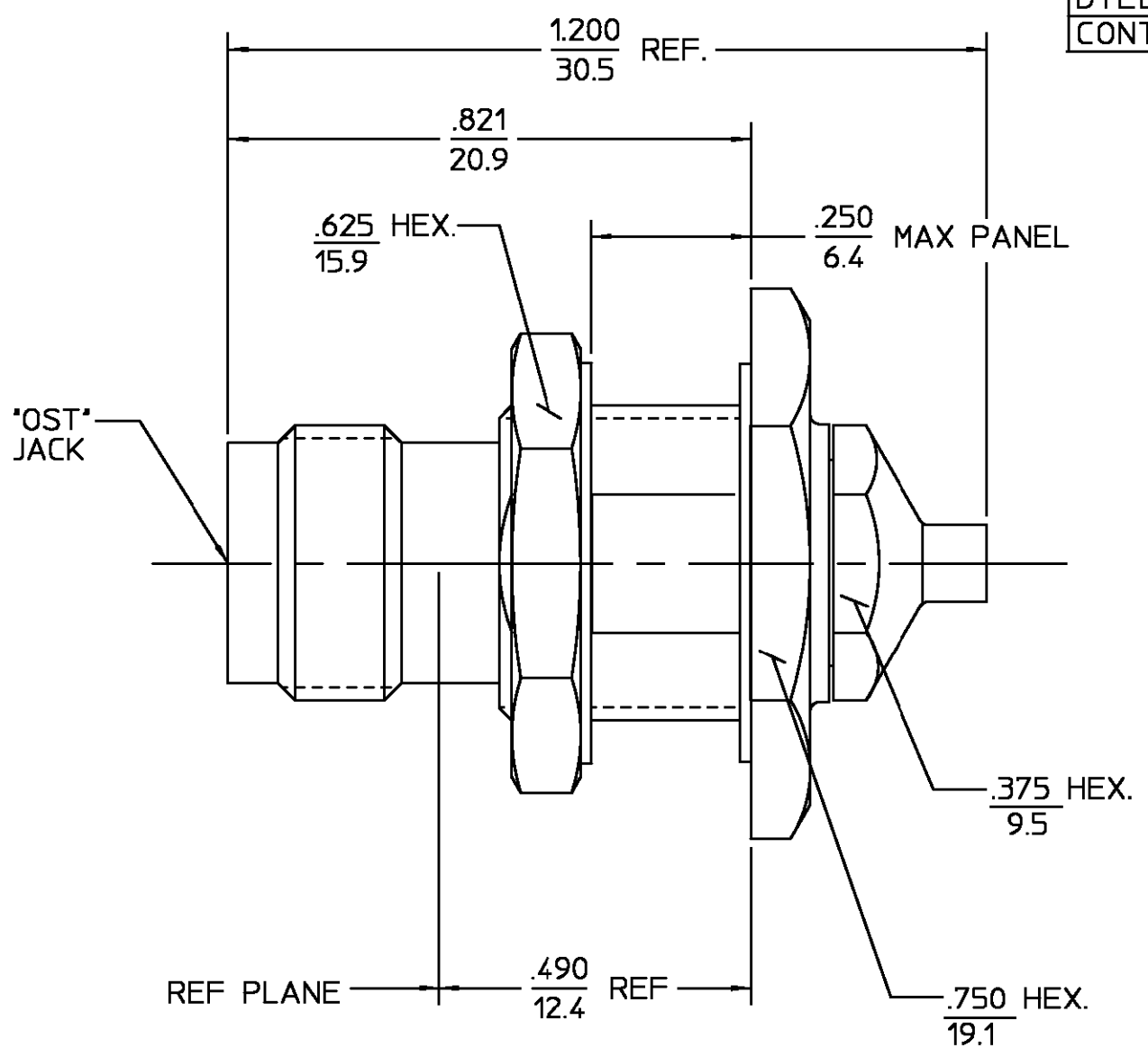


DESIGNED FOR USE WITH .085 S.R.	
CABLE ENTRY DIAMETER MINIMUM	
HOUSING	.088
DIELECTRIC	.066
CONTACT	.025

REVISIONS			
REV	DESCRIPTION	DATE	APPROVED
03 ₂	REVISED	DPG 7/23/96	DPG 7/30/96



HOUSING MOUNTING NUT LOCKWASHER	STAINLESS STEEL PER ASTM-A484 AND ASTM- A582, TYPE 303	PASSIVATE PER QQ-P-35
HOUSING	BRASS PER ASTM-B-16, HALF HARD	GOLD PLATE PER MIL-G-45204
DIELECTRIC	TFE FLUOROCARBON PER ASTM-D-1457	N/A
CENTER CONTACT	BERYLLIUM COPPER PER ASTM-B-196 OR ASTM-B-197, ALLOY C17300, CONDITION H	GOLD PLATE PER MIL-G-45204
GASKET	SILICONE RUBBER PER ZZ-R-765	N/A

COMPONENT	MATERIAL	FINISH
UNLESS OTHERWISE SPECIFIED DIMENSIONS ARE IN INCHES	DRAWN BY B.W.C.	DATE 1/27/69
FRAC. DEC. ANGLES ± 1/64 ±.005 ± 1°	CHECKED BY P.R.B.	DATE 1/27/69
	APPD BY P.R.B.	DATE 1/27/69
These drawings and speci- fications are the property of M/A COM Interconnect Div. and shall not be reproduced or copied or used in whole or in part as the basis for the manufacture or sale of item(s) without written permission.	USE ASSY PROCEDURE 408-04720 (31-125) NO. A.P.	TITLE 'OST' STRAIGHT BULKHEAD CABLE JACK DIRECT SOLDER VERSION AMP Incorporated 140 Fourth Avenue Waltham, MA 02451-7599
	SIZE B	CODE IDENT NO. 26805
	SCALE 4:1	3104-7985-00
		REV 03 ₂
		SHEET 1 OF 1

.XXX = in
XX.X = mm (REF)

CUSTOMER DRAWING

AMP PART # 1057679-1
SHEET 1 OF 1 REV A