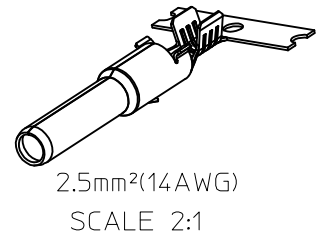
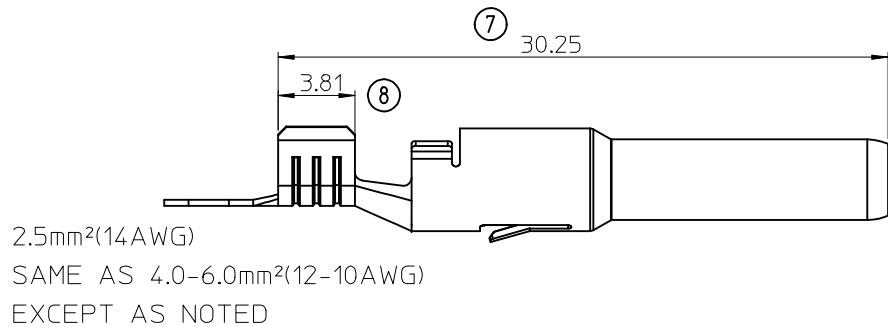
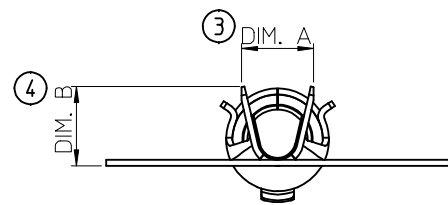
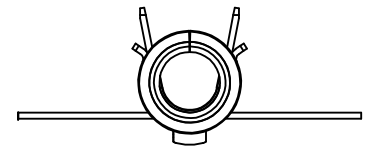
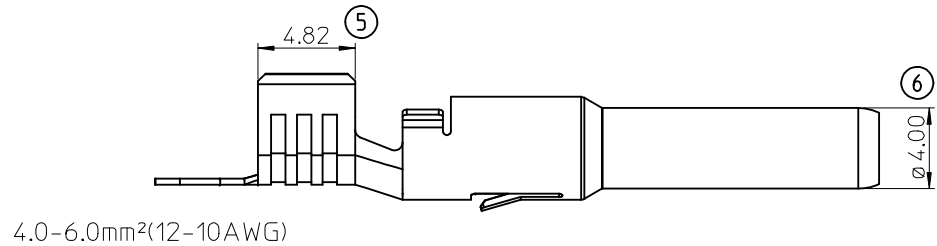
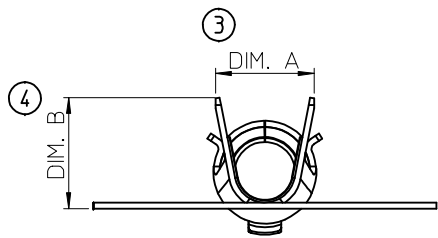
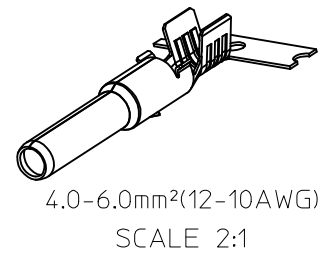
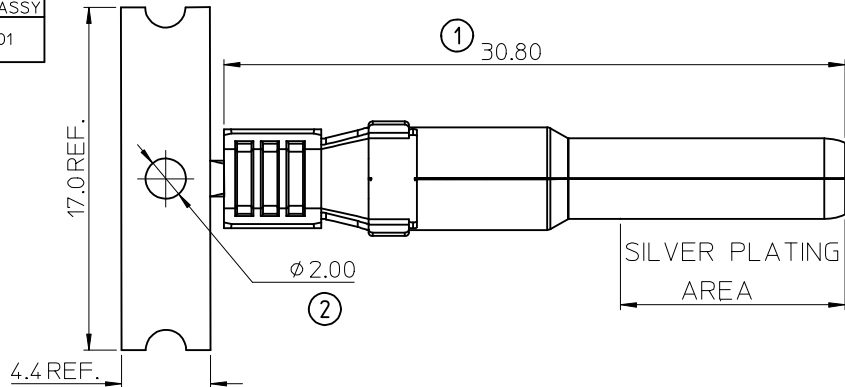


MATERIAL NO. ON STRIP	MATERIAL NO. LOOSE PIECE	CABLE SIZE	DIM "A"	DIM "B"	USE WITH HOUSING ASSY
93302-0003	93302-0005	2.5mm <sup>2</sup> / 14AWG	3.58	3.94	93301-0201
93302-0004	93302-0006	4.0-6.0mm <sup>2</sup> / 12-10AWG	4.90	5.51	



NOTES:

1. MATERIAL: COPPER ALLOY 0.30 THK.
2. FINISH: SELECTIVE SILVER OVER NICKEL.
3. TERMINAL FOR USE WITH 93301 SERIES PIN HOUSING ASSEMBLY. SEE CHART FOR APPLICABLE PART NUMBERS.
4. PRODUCT SPECIFICATION: PS-93301-001.
5. PACKAGING SPECIFICATION: PK-93302-001.
6. APPLICABLE TOOLING AND CRIMP SPECIFICATION: CONSULT FACTORY.
7. PARTS ARE ROHS COMPLIANT.

LAST INSPECTION No USED: 8

ORIGINAL RELEASE EC NO: E2011-0292 DRWN:DBYRNES 2011/07/04 CHKD:SMCGREEVY 2011/08/16 APPR:EFOLAN 2011/08/26	QUALITY SYMBOLS	GENERAL TOLERANCES (UNLESS SPECIFIED)	DIMENSION STYLE MM ONLY	SCALE 4:1	DESIGN UNITS METRIC	THIRD ANGLE PROJECTION
	▽=0 ◻=0	mm INCH	DRAWN BY DATE	TITLE		
		4 PLACES ± --- ± ---	DBYRNES 2011/07/04	SOLARSPEC PIN CONTACT PV SOLAR PANEL MOUNT 2.5MM $\phi$ $\frac{1}{2}$ & 4-6MM $\phi$ $\frac{1}{2}$		
		3 PLACES ± --- ± ---	CHECKED BY DATE	MOLEX INCORPORATED		
	2 PLACES ± 0.10 ± ---	SMCGREEVY 2011/08/16	APPROVED BY DATE	DOCUMENT NO.		
	1 PLACE ± 0.20 ± ---	EFOLAN 2011/08/26	MATERIAL NO.			
	ANGULAR ± 2 °		SEE CHART			
			DRAFT WHERE APPLICABLE MUST REMAIN WITHIN DIMENSIONS			
			SIZE A3	THIS DRAWING CONTAINS INFORMATION THAT IS PROPRIETARY TO MOLEX INCORPORATED AND SHOULD NOT BE USED WITHOUT WRITTEN PERMISSION		
				SD-93302-001		SHEET NO. 1 OF 1