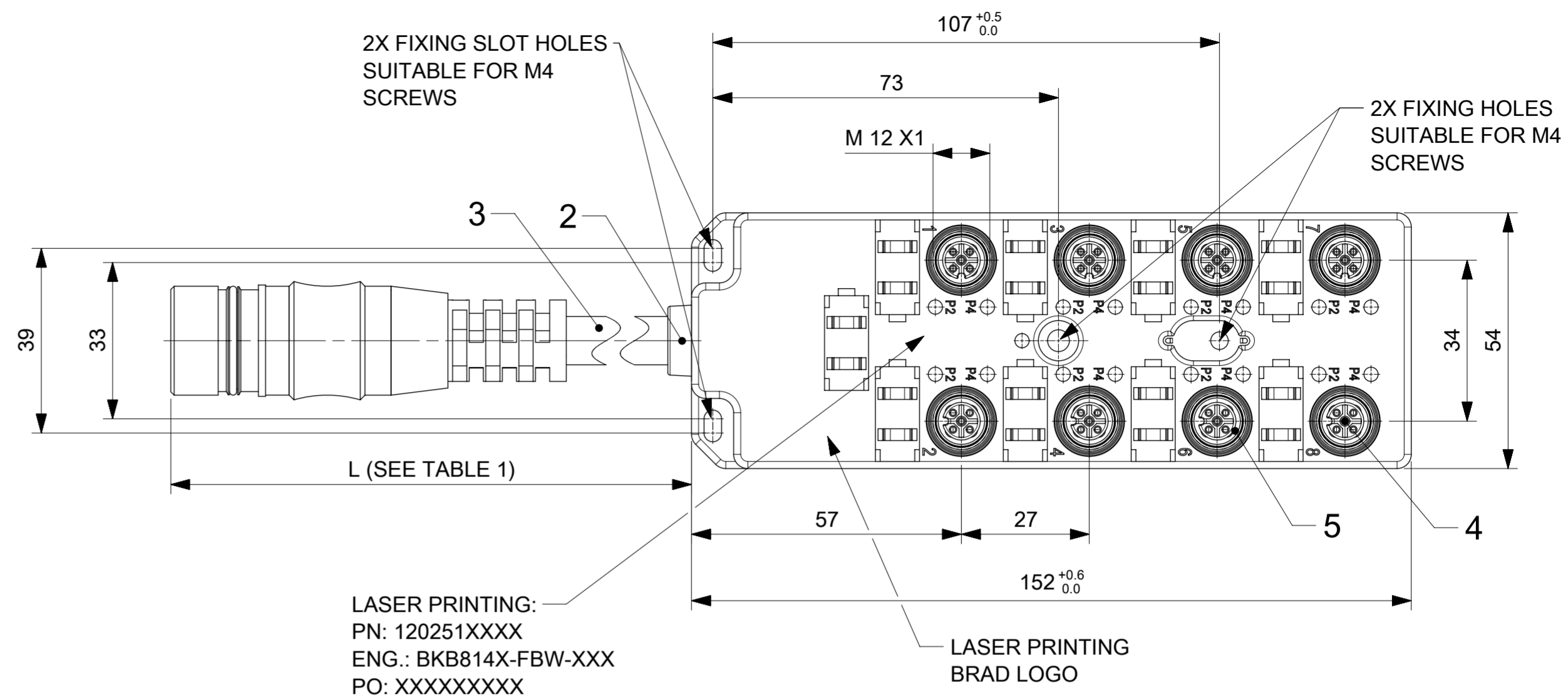


TABLE 1

MOLEX P/N	ENG. NO.	CABLE LENGTH (mm)	LED
1202510095	BKB814P-FBW-003	300	YES
1202510096	BKB814P-FBW-006	600	YES

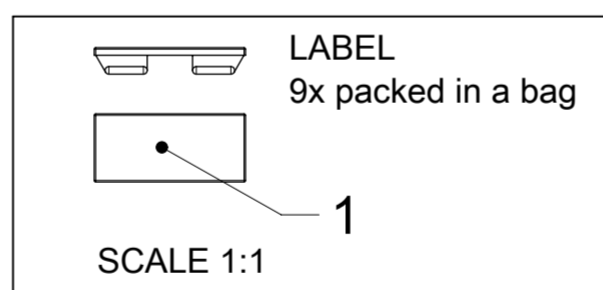
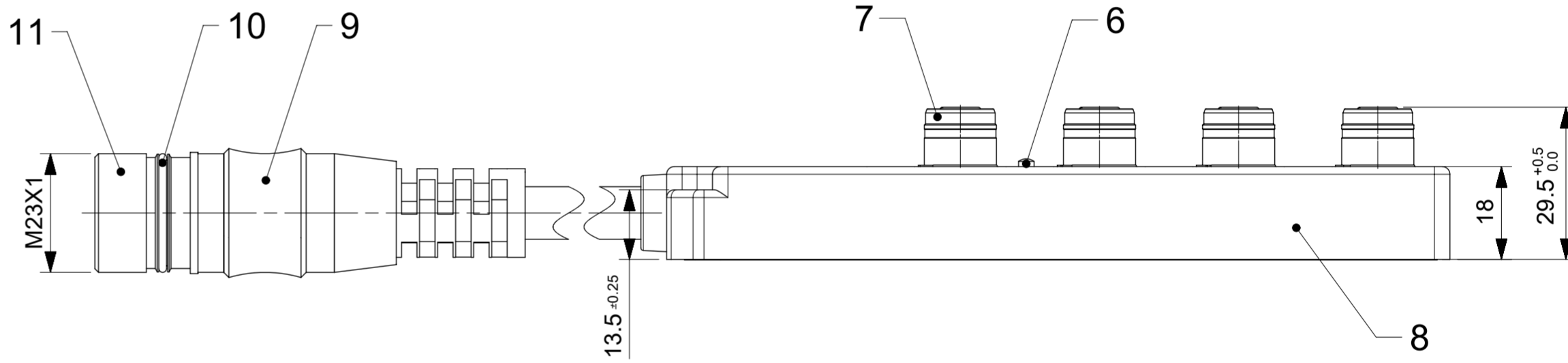
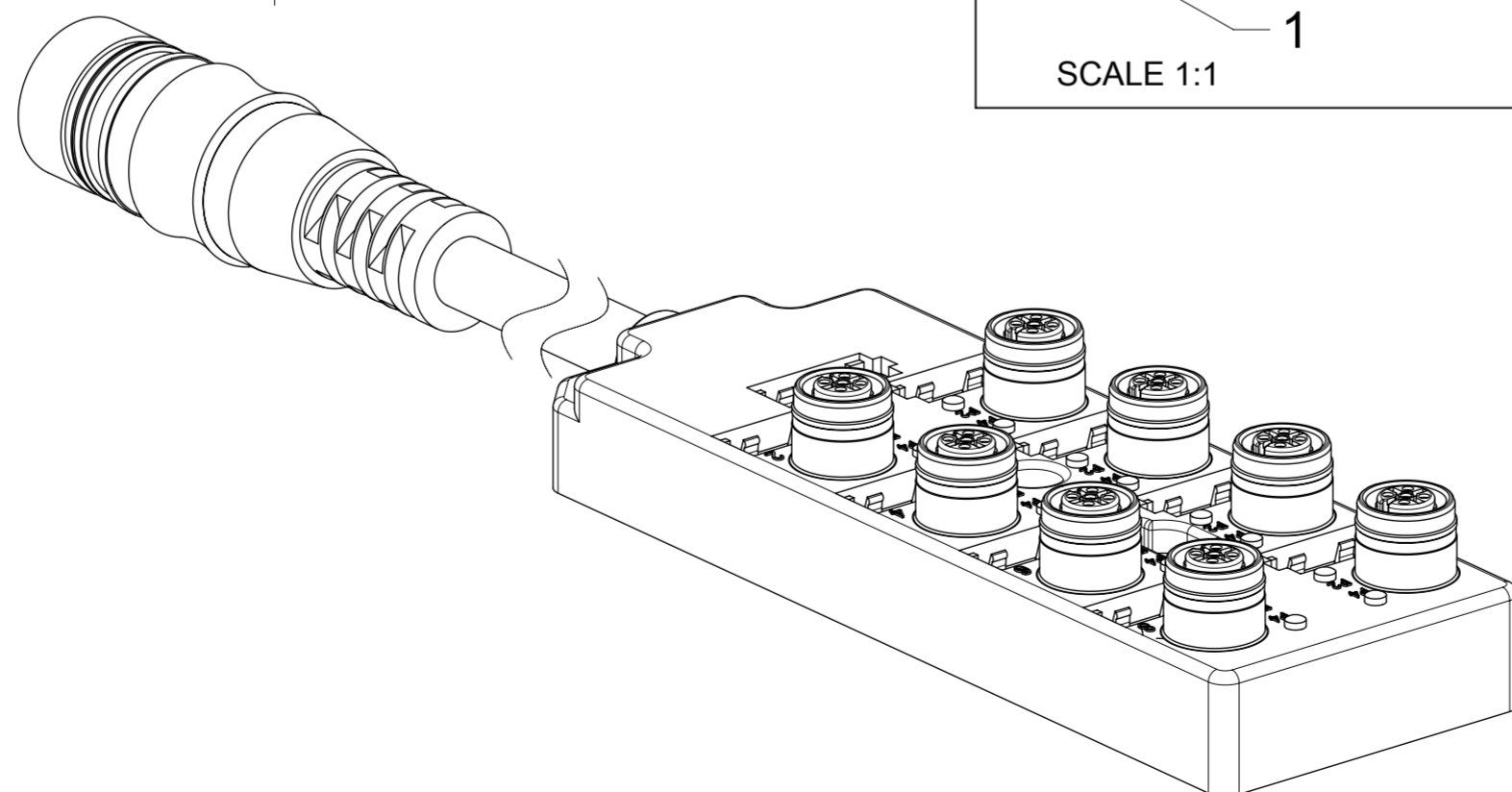
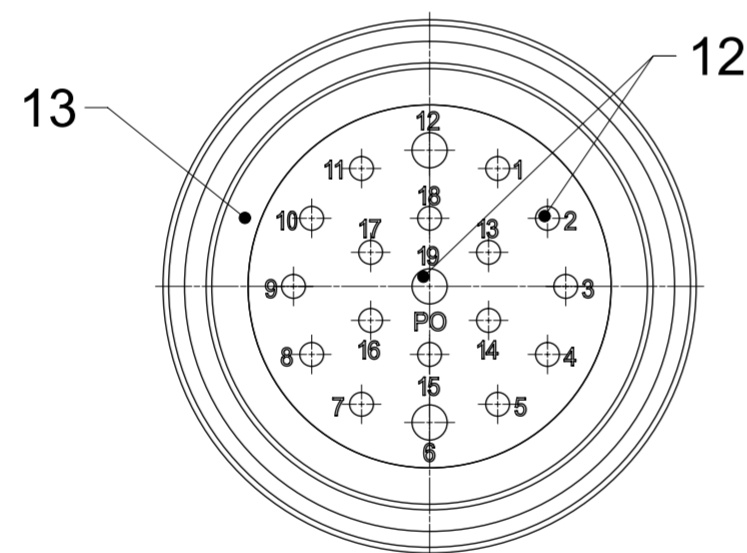
TABLE 2 BILL OF MATERIAL

ITEM	DESCRIPTION	MATERIAL	FINISH
1	LABEL	ABS	WHITE
2	CABLE PLATE	PBT	BLACK
3	CABLE	TPU BASED	BLACK
4	CONTACT	BRONZE	GOLD OVER NICKEL
5	O-RING	FPM	RED
6	LED	NON LED = PA	BLACK
		WITH LED = PA	TRANSPARENT
7	SHELL	BRASS	NICKEL PLATED
8	HOUSING	PBT	BLACK
9	OVERMOLD	PUR	BLACK
10	O-RING	NBR	BLACK
11	SHELL	BRASS	NICKEL PLATED
12	CONTACT	BRONZE	GOLD OVER NICKEL
13	O-RING	NBR	BLACK



PIN	COLOR
1	VIOLET
2	RED
3	GREY
4	RED/BLUE
5	GREEN
6	BLUE
7	GREY/PINK
8	WHITE/GREEN
9	WHITE/YELLOW
10	WHITE/GREY
11	BLACK
12	YELLOW/GREEN
13	YELLOW/BROWN
14	BROWN/GREEN
15	WHITE
16	YELLOW
17	PINK
18	GREY/BROWN
19	BROWN

M23 19 POLE FRONT VIEW



GENERAL CHARACTERISTICS:

ELECTRICAL AND MECHANICAL DATA ACC. TO IEC 61076-2-101

NOMINAL VOLTAGE: 10-30 V DC
 AMPERE RATING: 4 A PER PORT / 12 A MAX
 AMPERE RATING WITH UL REGISTRATION: 3 A PER PORT / 9 A MAX
 IP DEGREE OF PROTECTION: IP 67
 TEMPERATURE RANGE: -25°C to + 85°C

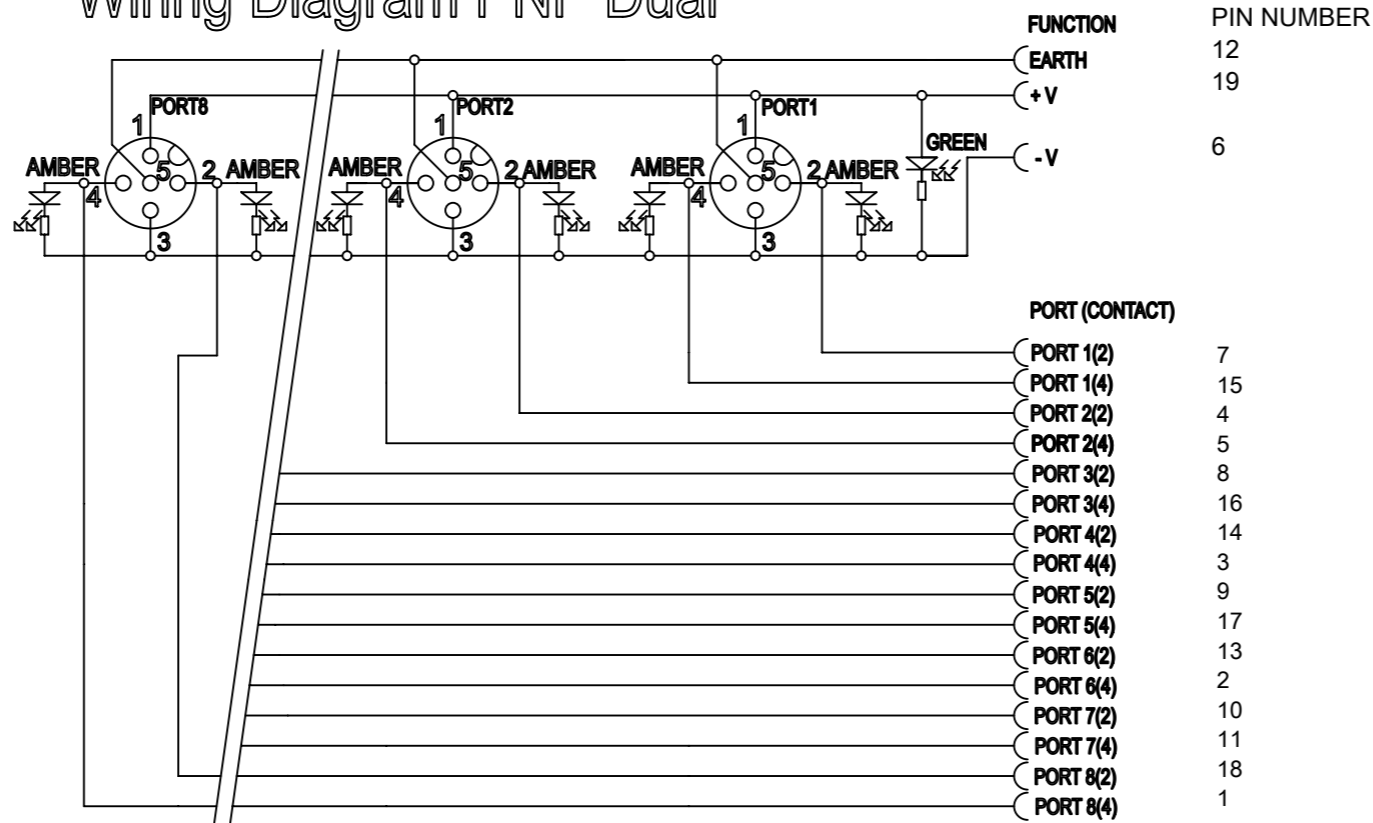
SYMBOLS	THIS DRAWING CONTAINS INFORMATION THAT IS PROPRIETARY TO MOLEX ELECTRONIC TECHNOLOGIES, LLC AND SHOULD NOT BE USED WITHOUT WRITTEN PERMISSION	
DIMENSION UNITS	SCALE	CURRENT REV DESC: INITIAL RELEASE
∇ = 0	mm	1:1
∇ = 0	GENERAL TOLERANCES (UNLESS SPECIFIED)	
∇ = 0	ANGULAR TOL ± 1.0°	
∇ = 0	4 PLACES ±	
∇ = 0	3 PLACES ±	
∇ = 0	2 PLACES ± 0.05	
∇ = 0	1 PLACE ± 0.3	
∇ = 0	0 PLACES ± 0.5	
∇ = 0	DRAFT WHERE APPLICABLE MUST REMAIN WITHIN DIMENSIONS	
∇ = 0	THIRD ANGLE PROJECTION	DRAWING SERIES
∇ = 0	A2-SIZE	120251
EC NO: 631635		DRWN: MDHARMANTI 2020/01/28
CHK'D: RSILLER 2020/02/05		APPR: RSILLER 2020/02/05
INITIAL REVISION:		DRWN: SSM 2019/01/04
		APPR: RSILLER 2020/01/17
DOCUMENT NUMBER		DOC TYPE DOC PART REVISION
1202510095		PSD 000 A1
MATERIAL NUMBER		CUSTOMER SHEET NUMBER
SEE TABLE 1		GENERAL MARKET 1 OF 2



MPIS U12 PNP 5P 8PT 0.3M M23 19P BK

PRODUCT CUSTOMER DRAWING

Wiring Diagram PNP Dual



CABLE LENGTH TOLERANCES

LENGTH [m]	TOLERANCE [mm]
0-1	+40
>1-5	+60
>5-10	+80
>10-20	+140
>20-30	+160
>30	+1% length

SYMBOLS	THIS DRAWING CONTAINS INFORMATION THAT IS PROPRIETARY TO MOLEX ELECTRONIC TECHNOLOGIES, LLC AND SHOULD NOT BE USED WITHOUT WRITTEN PERMISSION		CURRENT REV DESC: INITIAL RELEASE		molex
	DIMENSION UNITS	SCALE			
▽ = 0	mm	1:1			MPIS U12 PNP 5P 8PT 0.3M M23 19P BK
▽ = 0	GENERAL TOLERANCES (UNLESS SPECIFIED)				
▽ = 0	ANGULAR TOL ± 1.0°				PRODUCT CUSTOMER DRAWING
▽ = 0	4 PLACES ±		EC NO: 631635		
▽ = 0	3 PLACES ±		DRWN: MDHARMANTI 2020/01/28		DOCUMENT NUMBER 1202510095
▽ = 0	2 PLACES ± 0.05		CHK'D: RSILLER 2020/02/05		
▽ = 0	1 PLACE ± 0.3		APPR: RSILLER 2020/02/05		DOC TYPE DOC PART REVISION PSD 000 A1
▽ = 0	0 PLACES ± 0.5		INITIAL REVISION:		
☒ = 0	DRAFT WHERE APPLICABLE MUST REMAIN WITHIN DIMENSIONS		THIRD ANGLE PROJECTION	DRAWING	SERIES
▽ = 0			A3-SIZE	120251	MATERIAL NUMBER
			SEE TABLE 1	CUSTOMER	SHEET NUMBER
			GENERAL MARKET	2 OF 2	