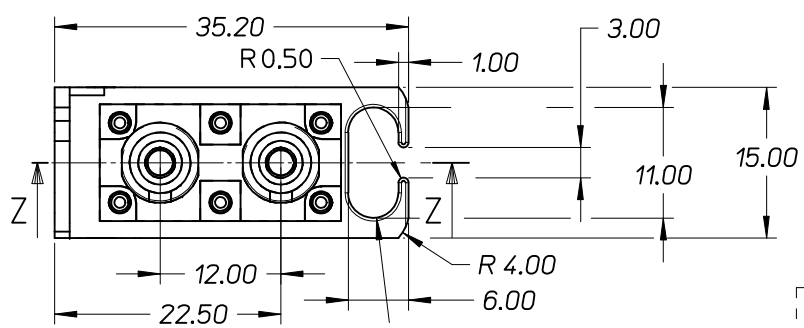
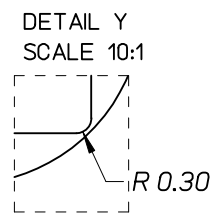


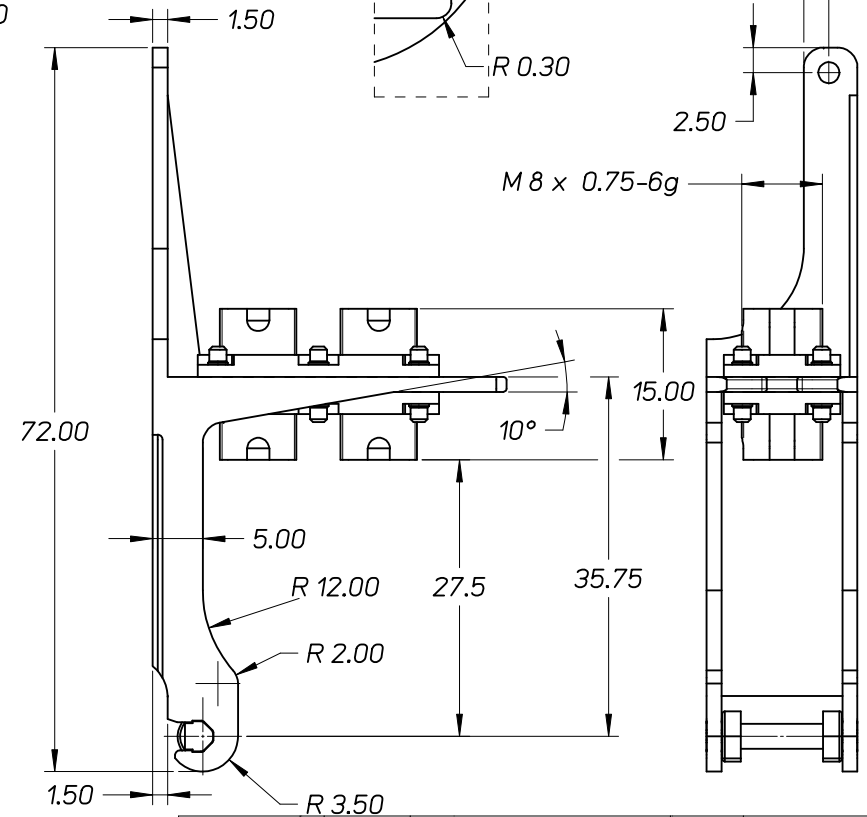
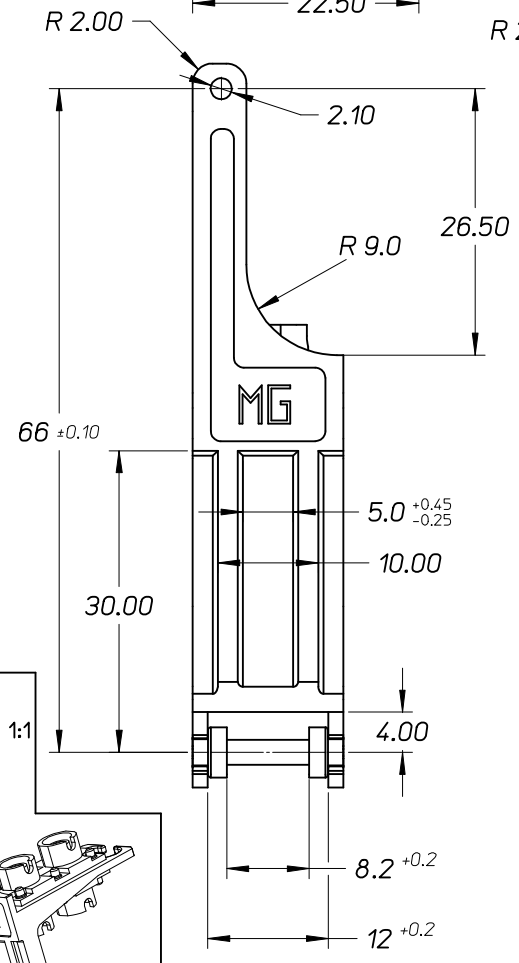
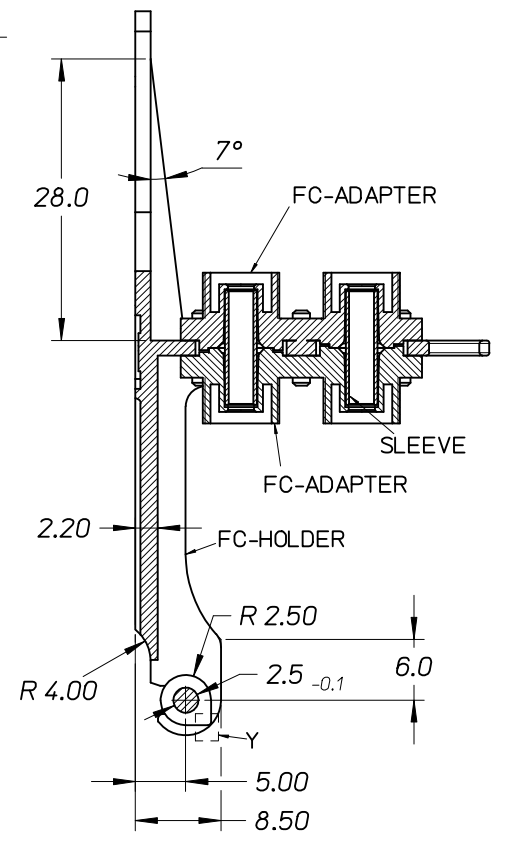
PART NO. 85337-0001  
 DWG. NO. SD-85337-003



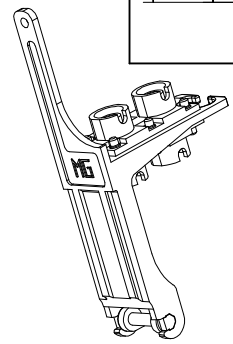
- NOTES:  
 1- MATERIAL POLYESTER  
 COLOR: BLACK RAL 9011  
 2- PART TO BE 94V0 APPROVED BY UL  
 3- PRODUCT SPECIFICATION: PS-85337-015  
 4- PACKAGING SPECIFICATION: PK-85337-016



SECTION Z-Z



SCALE 1:1



EC NO. MG1999-0321 DRWN: fhermann CHK: mfasold APPR: fboardron	DESCRIPTION MAJOR CRITICAL C	QUALITY SYMBOLS GENERAL TOLERANCES: (UNLESS SPECIFIED)	SCALE 2:1	DESIGN UNITS <input checked="" type="checkbox"/> mm <input type="checkbox"/> INCH	THIRD ANGLE PROJECTION <input type="checkbox"/> mm <input type="checkbox"/> INCH <input checked="" type="checkbox"/> mm ONLY	SHT REV	REVISE ON CAD ONLY	
	REV A	4 PLACES ±--- ±--- 3 PLACES ±--- ±--- 2 PLACES ±0.25 ±--- 1 PLACE ±0.50 ±--- ANGULAR: ± 2°	DRAWN BY & DATE fherman 2000/07/26 CHECKED BY & DATE MRAUCH APPROVED BY & DATE fboardron 2000/07/26 CAD FILENAME	TITLE: <b>FC-FC ADAPTER</b>		MATERIAL NO. <b>85337-0001</b>		SHEET NO. <b>1 of 1</b>
	DRAFT WHERE APPLICABLE MUST REMAIN WITHIN DIMENSIONS			THIS DRAWING CONTAINS INFORMATION THAT IS PROPRIETARY TO MOLEX INCORPORATED AND SHOULD NOT BE USED WITHOUT WRITTEN PERMISSION.				SIZE B
	MOLEX INCORPORATED							