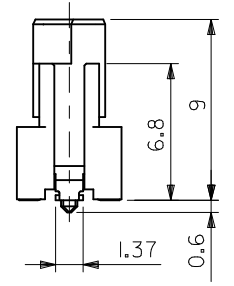
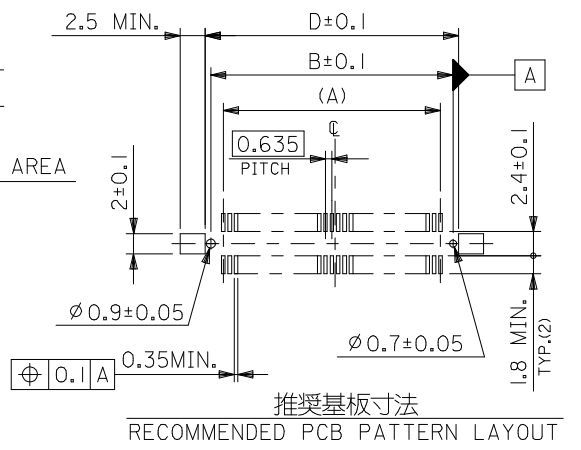
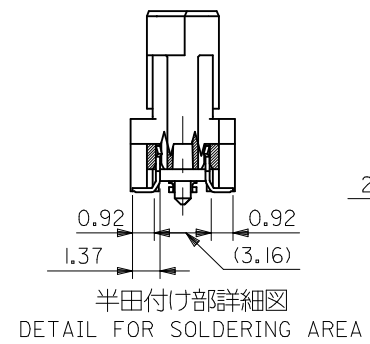
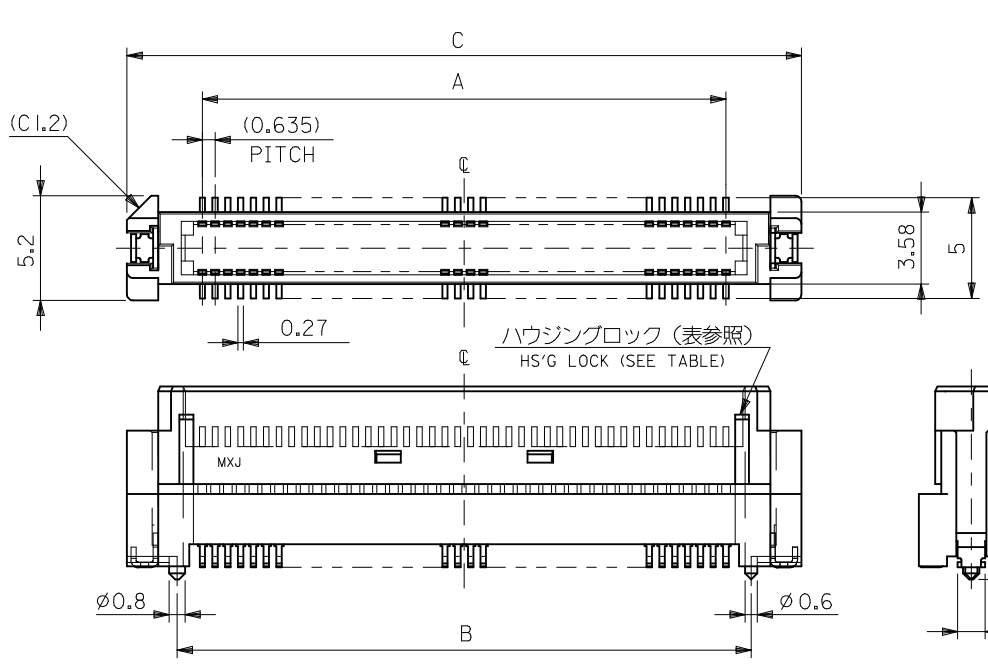


- 注) NOTES
- 材質 MATERIAL
ハウジング: ガラス入りPPS、茶色、UL94V-0
HOUSING: GLASS FILLED PPS, BROWN, UL94V-0
ターミナル: 黄銅 ($\phi=0.2$)
TERMINAL: BRASS
 - メッキ仕様 PLATING
接点部 : 金メッキ 0.25 μm 以上
CONTACT AREA: GOLD 0.25 MICROMETER MINIMUM
半田付け部: 錫メッキ 1.0 μm 以上
SOLDER TAIL AREA: TIN 1.0 MICROMETER MINIMUM
下地メッキ: ニッケルメッキ 1.5 μm 以上
UNDER-PLATING: NICKEL 1.5 MICROMETER MINIMUM
 - テールのバラツキ寸法 TAIL COPLANARITY
テールの平坦度は、0.1以下とする。
TAIL COPLANARITY TO BE 0.1 MAXIMUM.
 - 本製品は 53553-***7 の鉛フリー品である。
THIS PRODUCT IS LEAD FREE OF 53553-***7.

10 mm	52760 シリーズ
基板間寸法 STACKING HEIGHT	嵌合相手 TO BE MATED WITH

無し NO	66.47	70.37	65.37	62.865	---	---	53553-2077	200
	60.12	64.02	59.02	56.515	---	53553-1879	53553-1877	180
	53.77	57.67	52.67	50.165	---	53553-1679	53553-1677	160
	47.42	51.32	46.32	43.815	---	53553-1479	53553-1477	140
	34.72	38.62	33.62	31.115	53553-1078	53553-1079	53553-1077	100
28.37	32.27	27.27	24.765	53553-0878	---	53553-0877	80	
有り YES	22.02	25.92	20.92	18.415	---	53553-0679	53553-0677	60
15.67	19.57	14.57	12.065	---	---	53553-0477	40	
ハウジングロック HSG LOCK	D	C	B	A	エンボス梱包 EMBOSSED PACKAGING	スティック梱包 STICK PACKAGING	製品番号 MATERIAL NO.	極数 CKT. NO.
							MODEL NO.	53553-***77

REVISED EC NO: J2017-0575 DRW: KTOYODA CHKD: TASAKAWA APPR: MSASAO 2012/02/02 2012/02/02 2017/06/29	DESCRIPTION	GENERAL TOLERANCES (UNLESS SPECIFIED)	DIMENSION STYLE MM ONLY	SCALE ---	DESIGN UNITS METRIC	THIRD ANGLE PROJECTION
		0.25 UNDER ± 0.05 0.25 OVER 0.5 UNDER ± 0.05 0.5 OVER 1.0 UNDER ± 0.1 1.0 OVER 10 UNDER ± 0.2 10 OVER 30 UNDER ± 0.25 30 OVER ± 0.3	DRAWN BY T. UENO DATE '04/02/27	TITLE 0.635 PITCH B-T0-B S/T PLUG HSG ASSY -LEAD FREE-		
		ANGULAR $\pm 3^\circ$	CHECKED BY M. SASAO DATE '04/02/27			
		DRAFT WHERE APPLICABLE MUST REMAIN WITHIN DIMENSIONS	APPROVED BY M. SASAO DATE '04/02/27			
			SIZE A3	THIS DRAWING CONTAINS INFORMATION THAT IS PROPRIETARY TO MOLEX ELECTRONIC TECHNOLOGIES, LLC AND SHOULD NOT BE USED WITHOUT WRITTEN PERMISSION		

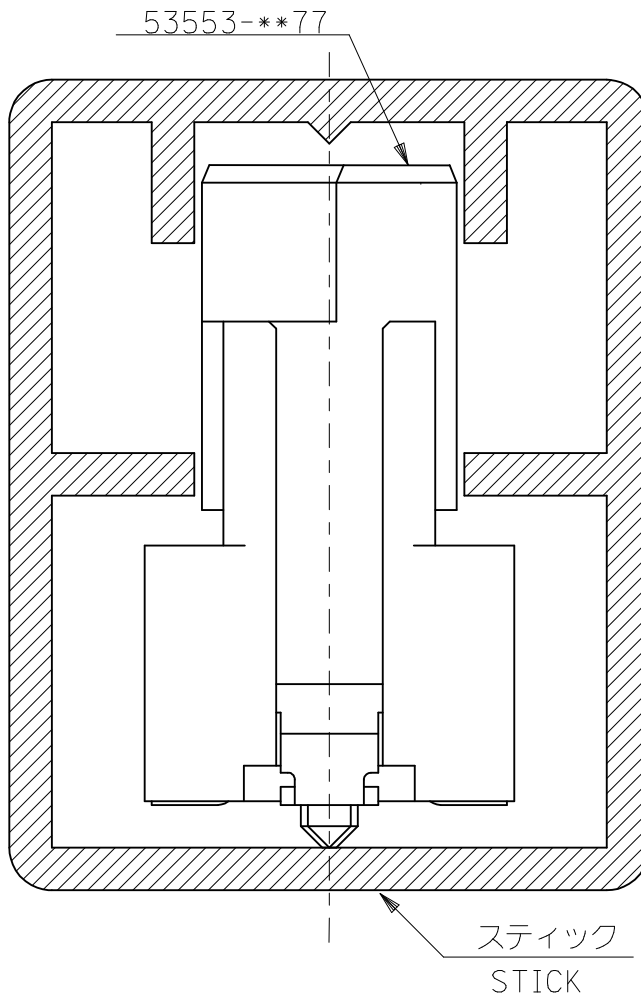


- 注) NOTES
- 材質 MATERIAL
ハウジング: ガラス入りPPS、茶色、UL94V-0
HOUSING: GLASS FILLED PPS, BROWN, UL94V-0
ターミナル: 黄銅 ($\phi=0.2$)
TERMINAL: BRASS
 - メッキ仕様 PLATING
接点部 : 金メッキ 0.25 μm 以上
CONTACT AREA: GOLD 0.25 MICROMETER MINIMUM
半田付け部: 錫メッキ 1.0 μm 以上
SOLDER TAIL AREA: TIN 1.0 MICROMETER MINIMUM
下地メッキ: ニッケルメッキ 1.5 μm 以上
UNDER-PLATING: NICKEL 1.5 MICROMETER MINIMUM
 - テールのバラツキ寸法 TAIL COPLANARITY
テールの平坦度は、0.1以下とする。
TAIL COPLANARITY TO BE 0.1 MAXIMUM.
 - 本製品は 53553-***7 の鉛フリー品である。
THIS PRODUCT IS LEAD FREE OF 53553-***7.

10 mm	52760 シリーズ
基板間寸法 STACKING HEIGHT	嵌合相手 TO BE MATED WITH

無し NO	66.47	70.37	65.37	62.865	---	---	53553-2077	200
	60.12	64.02	59.02	56.515	---	53553-1879	53553-1877	180
	53.77	57.67	52.67	50.165	---	53553-1679	53553-1677	160
	47.42	51.32	46.32	43.815	---	53553-1479	53553-1477	140
	34.72	38.62	33.62	31.115	53553-1078	53553-1079	53553-1077	100
28.37	32.27	27.27	24.765	53553-0878	---	53553-0877	80	
有り YES	22.02	25.92	20.92	18.415	---	53553-0679	53553-0677	60
15.67	19.57	14.57	12.065	---	---	53553-0477	40	
ハウジングロック HSG LOCK	D	C	B	A	エンボス梱包 EMBOSSED PACKAGING	スティック梱包 STICK PACKAGING	製品番号 MATERIAL NO.	極数 CKT. NO.
							MODEL NO.	53553-***77

REVISED EC NO: J2017-0575 DRW: KTOYODA CHKD: TASAKAWA APPR: MSASAO 2012/02/02 2012/02/02 2017/06/29	GENERAL TOLERANCES (UNLESS SPECIFIED)	DIMENSION STYLE MM ONLY	SCALE ---	DESIGN UNITS METRIC	THIRD ANGLE PROJECTION
	0.25 UNDER ± 0.05	DRAWN BY T. UENO	DATE '04/02/27	TITLE 0.635 PITCH B-T0-B S/T PLUG HSG ASSY -LEAD FREE-	
	0.25 OVER 0.5 UNDER ± 0.05	CHECKED BY M. SASAO	DATE '04/02/27		
	0.5 OVER 1.0 UNDER ± 0.1	APPROVED BY M. SASAO	DATE '04/02/27		
1.0 OVER 10 UNDER ± 0.2	MATERIAL NO.	SEE CHART	DOCUMENT NO.	SD-53553-006	SHEET NO. 1 OF 1
10 OVER 30 UNDER ± 0.25	DRAFT WHERE APPLICABLE MUST REMAIN WITHIN DIMENSIONS				
30 OVER ± 0.3	SIZE A3	THIS DRAWING CONTAINS INFORMATION THAT IS PROPRIETARY TO MOLEX ELECTRONIC TECHNOLOGIES, LLC AND SHOULD NOT BE USED WITHOUT WRITTEN PERMISSION			



注)
NOTES.

1. スティック両端はキャップ止め。
BOTH ENDS WITH CAPS.
2. 全長：600±2
TOTAL LENGTH
3. 肉厚：0.6±0.2
THICKNESS
4. 本製品は53553-***9の
鉛フリー品である。
THIS PRODUCT IS LEAD FREE
OF 53553-***9.

8	53553-1879	180
9	53553-1679	160
11	53553-1479	140
14	53553-1079	100
21	53553-0679	60
梱包数 QUANTITY	製品番号 MATERIAL NO.	極数 NO. OF CKT.

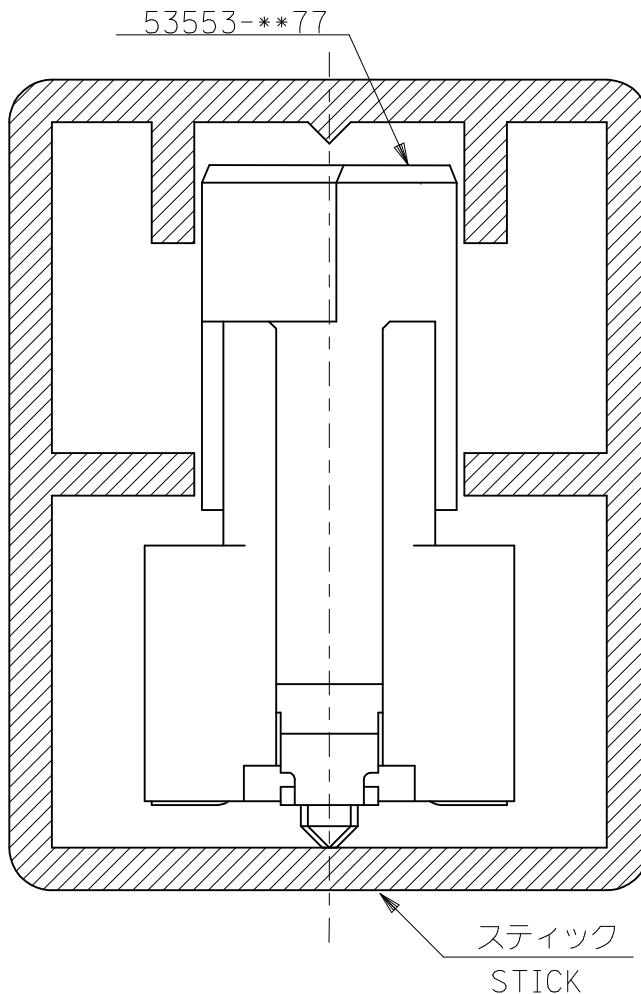
材料 MATERIAL	スティック：ポリ塩化ビニル STICK:P.V.C.
仕上げ FINISH	—//—
適用電線範囲 WIRE RANGE	—//—
被覆外径 INS. RANGE	—//—

REVISED	EC NO: J2018-0012	2017/07/26
DRWNGS	CHKD:	APPR:MSASAO
DESCRIPTION	2017/07/28	

GENERAL TOLERANCES (UNLESS SPECIFIED)			
0.25 UNDER			±0.03
0.25 OVER	0.5 UNDER		±0.05
0.5 OVER	1.0 UNDER		±0.1
1.0 OVER	10 UNDER		±---
10 OVER	30 UNDER		±---
30 OVER			±---
ANGULAR			±--- °
DRAFT WHERE APPLICABLE MUST REMAIN WITHIN DIMENSIONS			

MODEL NO.	53553-***79
DIMENSION STYLE MM ONLY	
DRAWN BY	DATE
T.UENO	2004/02/27
CHECKED BY	DATE
M.SASAO	2004/02/27
APPROVED BY	DATE
M.SASAO	2004/02/27
MATERIAL NO.	
SEE CHART	
SIZE	A4

SCALE	---
DESIGN UNITS	METRIC
THIRD ANGLE PROJECTION	
53553-***77 STICK PACKAGING -LEAD FREE-	
molex	
DOCUMENT NO.	SD-53553-008
SHEET NO.	1 OF 1
THIS DRAWING CONTAINS INFORMATION THAT IS PROPRIETARY TO MOLEX ELECTRONIC TECHNOLOGIES, LLC AND SHOULD NOT BE USED WITHOUT WRITTEN PERMISSION	



注)
NOTES.

1. スティック両端はキャップ止め。
BOTH ENDS WITH CAPS.
2. 全長：600±2
TOTAL LENGTH
3. 肉厚：0.6±0.2
THICKNESS
4. 本製品は53553-***9の
鉛フリー品である。
THIS PRODUCT IS LEAD FREE
OF 53553-***9.

8	53553-1879	180
9	53553-1679	160
11	53553-1479	140
14	53553-1079	100
21	53553-0679	60
梱包数 QUANTITY	製品番号 MATERIAL NO.	極数 NO. OF CKT.

材料 MATERIAL	スティック：ポリ塩化ビニル STICK:P.V.C.
仕上げ FINISH	—//—
適用電線範囲 WIRE RANGE	—//—
被覆外径 INS. RANGE	—//—

REVISED	EC NO: J2018-0012	2017/07/26
DRWNG:GES	CHKD:	APPR:MSASAO
DESCRIPTION	2017/07/28	
REV	A	

GENERAL TOLERANCES (UNLESS SPECIFIED)			
0.25 UNDER	±0.03		
0.25 OVER 0.5 UNDER	±0.05		
0.5 OVER 1.0 UNDER	±0.1		
1.0 OVER 10 UNDER	±---		
10 OVER 30 UNDER	±---		
30 OVER	±---		
ANGULAR	±--- °		
DRAFT WHERE APPLICABLE MUST REMAIN WITHIN DIMENSIONS			

MODEL NO.	53553-***79
DIMENSION STYLE MM ONLY	
DRAWN BY	DATE
T.UENO	2004/02/27
CHECKED BY	DATE
M.SASAO	2004/02/27
APPROVED BY	DATE
M.SASAO	2004/02/27
MATERIAL NO.	
SEE CHART	
SIZE	A4

SCALE	---	DESIGN UNITS	METRIC	THIRD ANGLE PROJECTION
53553-***77 STICK PACKAGING -LEAD FREE-				
molex			DOCUMENT NO.	SHEET NO.
			SD-53553-008	1 OF 1
THIS DRAWING CONTAINS INFORMATION THAT IS PROPRIETARY TO MOLEX ELECTRONIC TECHNOLOGIES, LLC AND SHOULD NOT BE USED WITHOUT WRITTEN PERMISSION				