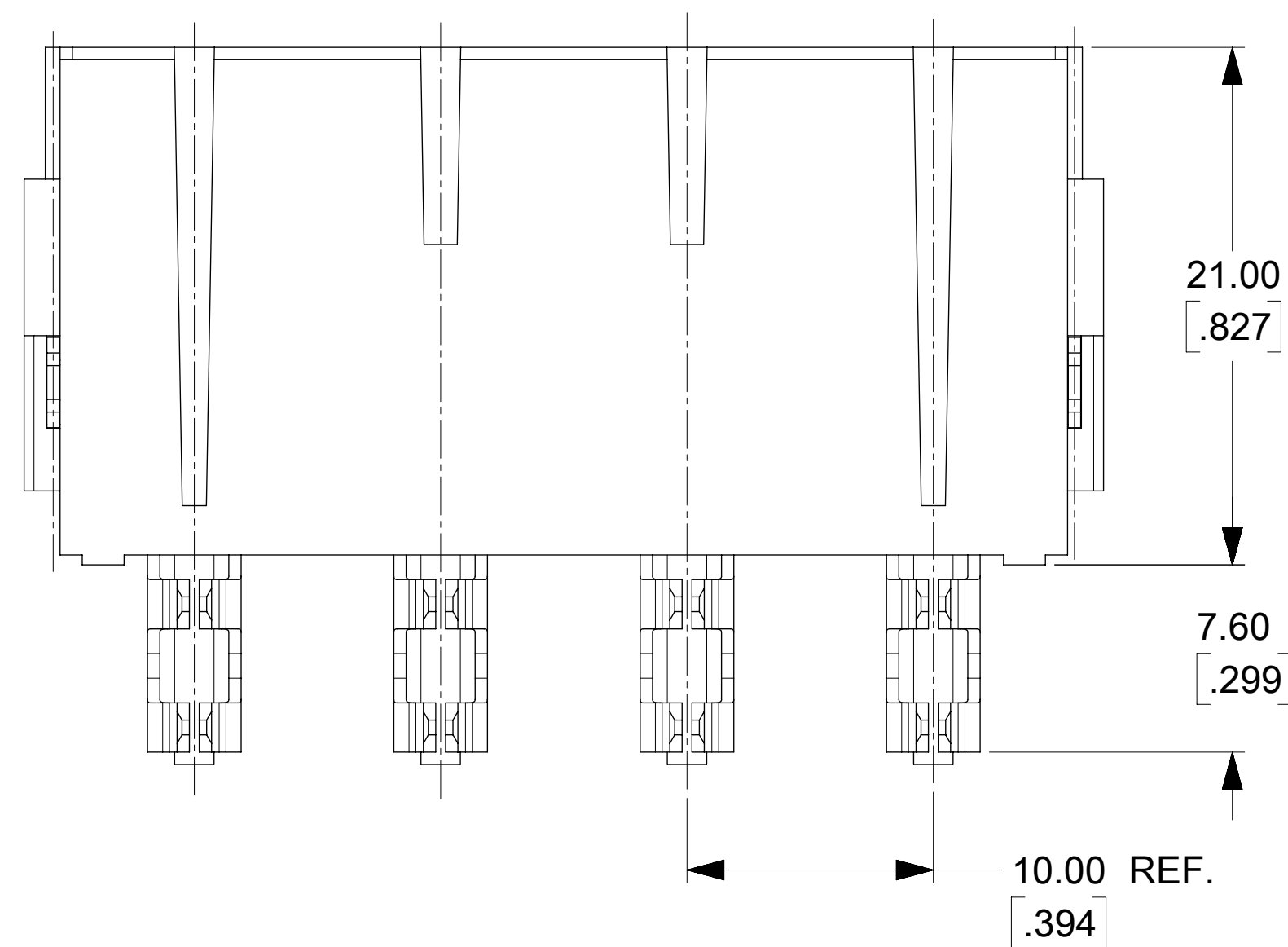


- NOTES:**
- MATERIAL:**
HOUSING MATERIAL: LCP, GLASS FILLED, UL94V-0. COLOR: BLACK.
TERMINAL MATERIAL: COPPER
 - FINISH:** 2 = .000100/(0.00254) MIN. TIN OVER .000050/(.00127) MIN. NICKEL. (SEE NOTE 9)
3 = .000030/(0.00076) MIN. SELECT GOLD IN CONTACT AREA.
.000100/(.000254) MIN. SELECT TIN ON SOLDER TAILS
OVER .000050/(0.00127) MIN. NICKEL.
 - PRODUCT SPECIFICATION:** PS-42815-001
 - PACKAGING INFORMATION:** SEE CHART.
 - PART MATES WITH MOLEX RECEPTACLE #42816-***2 WITH TPA.**
 - PART IS DESIGNED IN METRIC.**
 - AN "X" IN FRONT OF THE ITEM NUMBER INDICATES THE PART IS NOT TOOLED.**
 - PARTS ARE NOT TO BE MATED OR UNMATED WHILE CIRCUITS ARE LIVE.**
 - WHEN USING OVERALL TIN PLATED TERMINALS: FOR APPLICATIONS INVOLVING VIBRATION AND/OR THERMAL CYCLING, MOLEX STRONGLY RECOMMENDS THE USE OF NYE LUBRICANT (NYOGEL 760G) ON THE MATING SURFACE OF THE TERMINAL. REFER TO AS-42815-001.**
 - PARTS CONFORM TO CLASS 'B' REQUIREMENTS OF COSMETIC SPECIFICATION PS-45499-002.**
 - BOARD CLIP HOLE MAY OR MAY NOT BE PLATED. REFER TO CHART FOR PLATED / UNPLATED CLIPS.**



LEGEND:

A- 46984 - * * * *

CIRCUIT SIZE (2-6)

P.C. BOARD THICKNESS

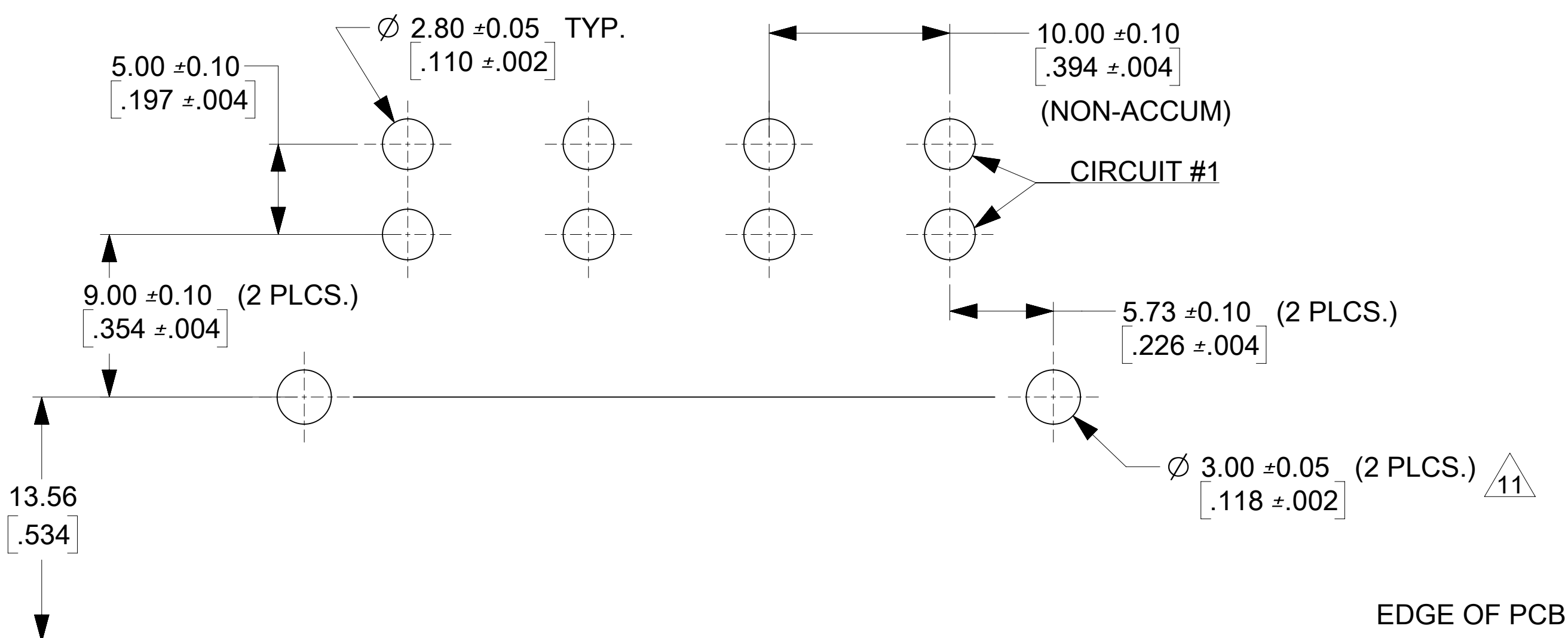
1 = .062/(1.57) NOMINAL
2 = .093/(2.36) NOMINAL
3 = .125/(3.18) NOMINAL
4 = .250/(6.35) NOMINAL

PACKAGING

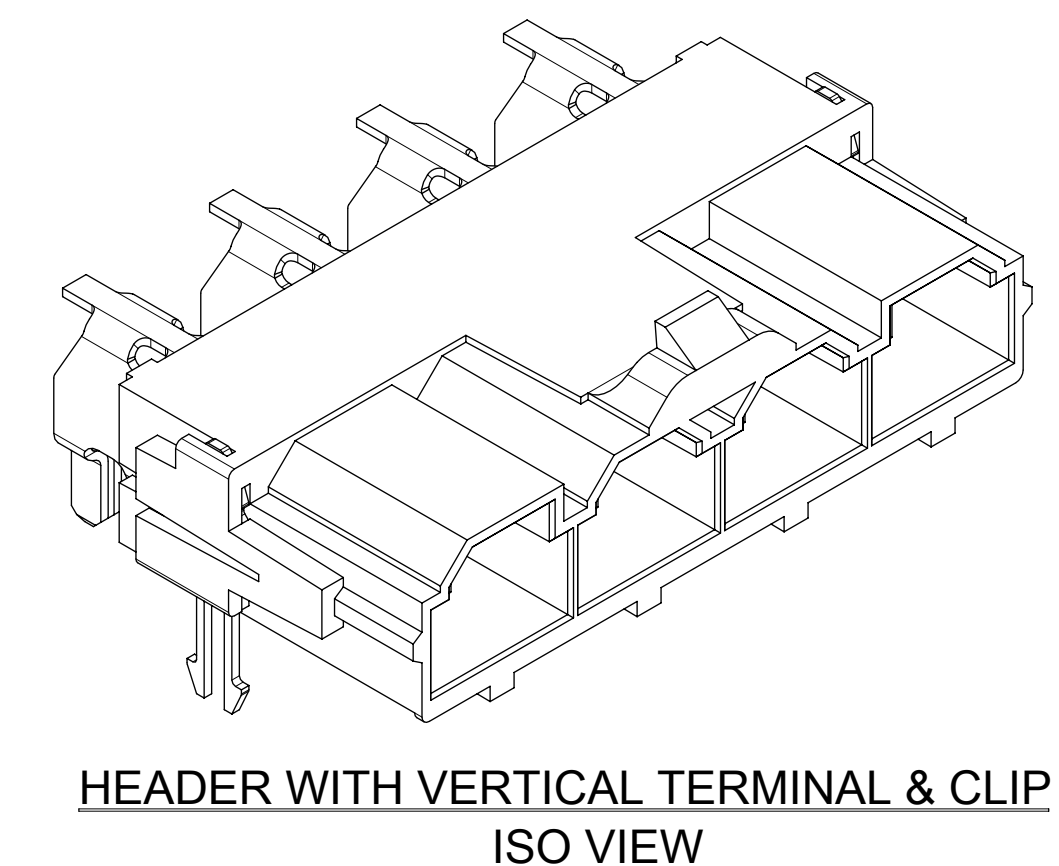
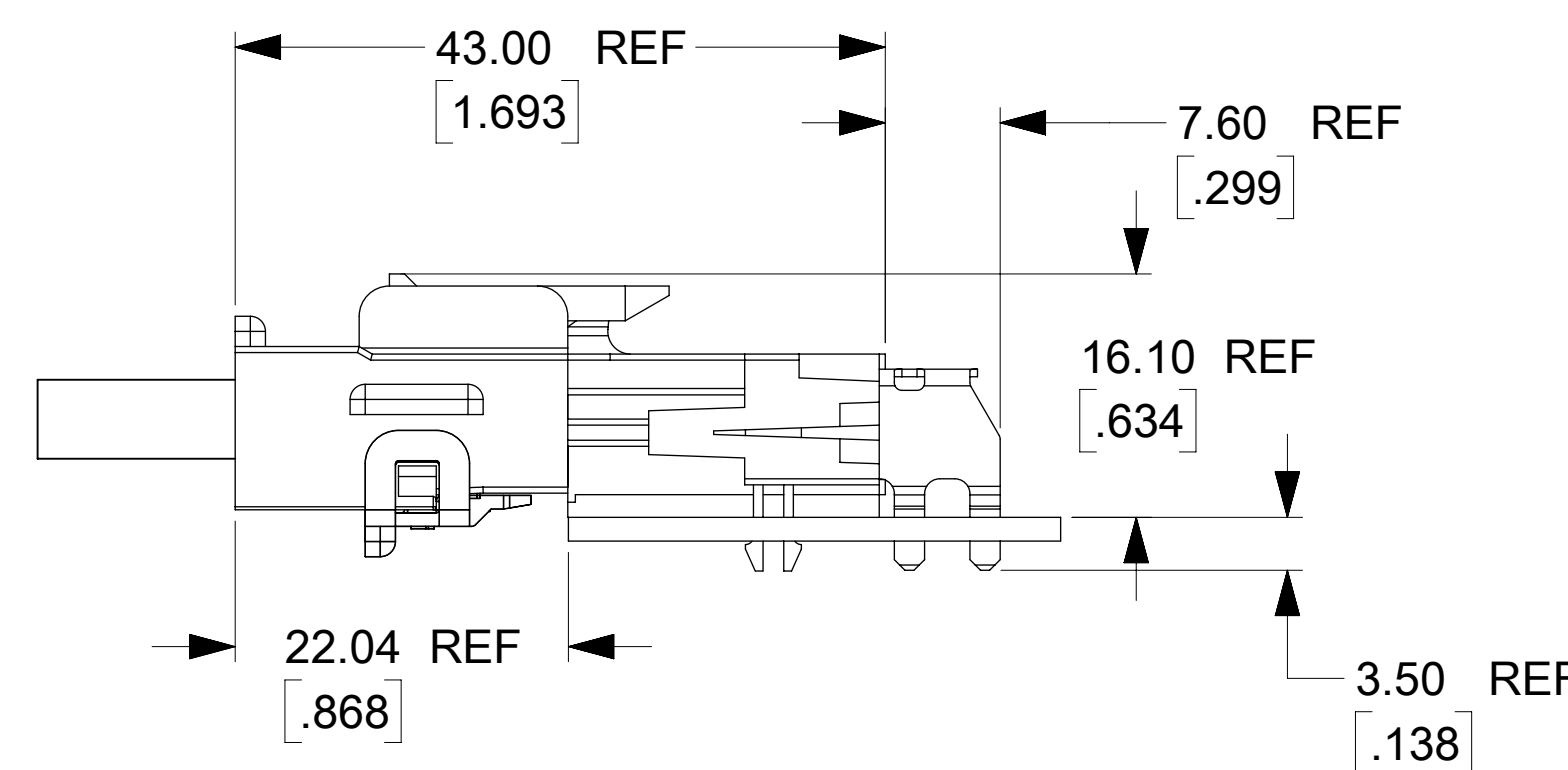
1) = TRAY
2) = TUBE
3) = TAPE & REEL

PLATING

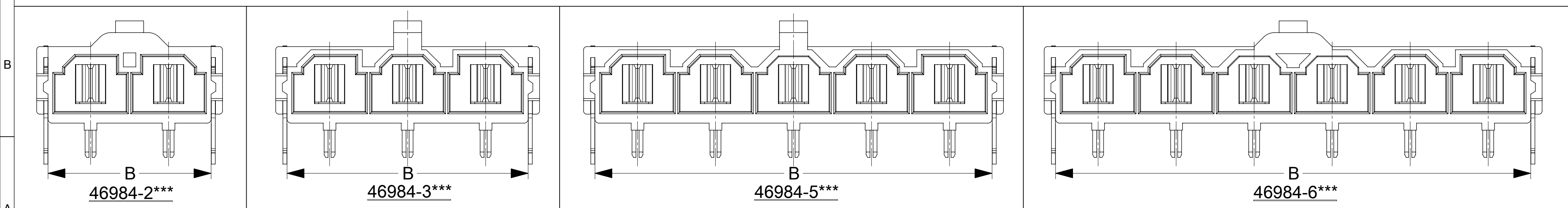
2 OR 9 = PURE BRIGHT TIN OVER NICKEL
3 OR 8 = SELECT GOLD AND SELECT PURE MATTE TIN OVER NICKEL
7 = PURE MATTE TIN OVER NICKEL



RECOMMENDED P.C. BOARD PLATED-THRU HOLE LAYOUT
(4 CKT. SHOWN FOR REF.)



ITEM NUMBER	CKT. SIZE	DIM. A	DIM. B	DIM. C	TERMINAL PLATING	PACKAGING SPECIFICATION	CLIP PLATING
469842221	2	3.50	20.90	2.60	OVERALL BRIGHT TIN	PK-42820-910	NONE
469842121	2	3.50	20.90	1.80		PK-42820-910	
469842123	2	3.50	20.90	1.80		SEE PN 45986-0002 PER PK-45986-004	
469842223	2	3.50	20.90	2.60		SEE PN 45986-0004 PER PK-45986-004	
469842231	2	3.50	20.90	2.60	SELECT GOLD-MATING END SELECT MATTE TIN - SOLDER T.	PK-42820-910	NONE
469842133	2	3.50	20.90	1.80	SELECT GOLD-MATING END SELECT MATTE TIN - SOLDER T.	SEE PN 45986-0005 PER PK-45986-004	
469842233	2	3.50	20.90	2.60	SELECT GOLD-MATING END SELECT MATTE TIN - SOLDER T.	SEE PN 45986-0006 PER PK-45986-004	



THIS DRAWING CONTAINS INFORMATION THAT IS PROPRIETARY TO MOLEX ELECTRONIC TECHNOLOGIES, LLC AND SHOULD NOT BE USED WITHOUT WRITTEN PERMISSION

DIMENSION UNITS	SCALE	CURRENT REV DESC: REVISED AND UPDATED	
IN/MM	4:1		
GENERAL TOLERANCES (UNLESS SPECIFIED)			
	MM	INCH	
4 PLACES ±	±	±	EC NO: 640944
3 PLACES ±	±	± 0.01	DRWN: MKP 2020/07/06
2 PLACES ±	0.25 ±		CHK'D: ISHWARG 2020/08/07
1 PLACE ±	0.4 ±		APPR: ISHWARG 2020/08/07
0 PLACES ±	±		INITIAL REVISION:
ANGULAR TOL ±	0.5 °		DRWN: AELHAG 2010/08/05
			APPR: FSMITH 2014/02/18
DRAFT WHERE APPLICABLE MUST REMAIN WITHIN DIMENSIONS		THIRD ANGLE PROJECTION	DRAWING SERIES
			D-SIZE 46984
DOCUMENT NUMBER	DOC TYPE	DOC PART	REVISION
SDA-46984-001	PSD	001	B2
MATERIAL NUMBER		CUSTOMER	SHEET NUMBER
SEE CHART		GENERAL MARKET	1 OF 1