

NOTES :

1) MATERIALS :
 HOUSING : LCP, GLASS-FILLED, UL94V-0, COLOR BLACK.
 INSULATOR : NYLON, GLASS-FILLED, UL94V-0, COLOR BLACK.
 TERMINALS : PHOSPHOR BRONZE, 0.30 mm THICKNESS.
 FITTING NAILS : BRASS ALLOY, 0.25 mm THICKNESS.

2) FINISH :
 TERMINAL PLATING OPTIONS : (SEE TABLE)
 (A) SELECT GOLD IN CONTACT AREA: 0.00127 mm MIN.,
 *SELECT MATTE TIN IN PC TAIL AREA: 0.00254 mm MIN.,
 WITH OVERALL NICKEL UNDERPLATE: 0.00127 mm MIN.
 (B) SELECT GOLD IN CONTACT AREA: 0.00076 mm MIN.,
 *SELECT MATTE TIN IN PC TAIL AREA: 0.00254 mm MIN.,
 WITH OVERALL NICKEL UNDERPLATE: 0.00127 mm MIN.
 (C) SELECT GOLD IN CONTACT AREA: 0.00038 mm MIN.,
 *SELECT MATTE TIN IN PC TAIL AREA: 0.00254 mm MIN.,
 WITH OVERALL NICKEL UNDERPLATE: 0.00127 mm MIN.

FITTING NAILS :
 *2.54 MICROMETER MATTE TIN OVER 1.27 MICROMETER NICKEL UNDERPLATE
 *THE PRIMARY SHIPPING CARTON WILL BE LABELED "ELV AND
 RoHS COMPLIANT". CARTONS WITHOUT THIS LABEL MAY
 CONTAIN PRODUCT WITH TIN-LEAD IN THE PC TAIL AREA.

3) PRODUCT SPECIFICATION : PS-43743-0001

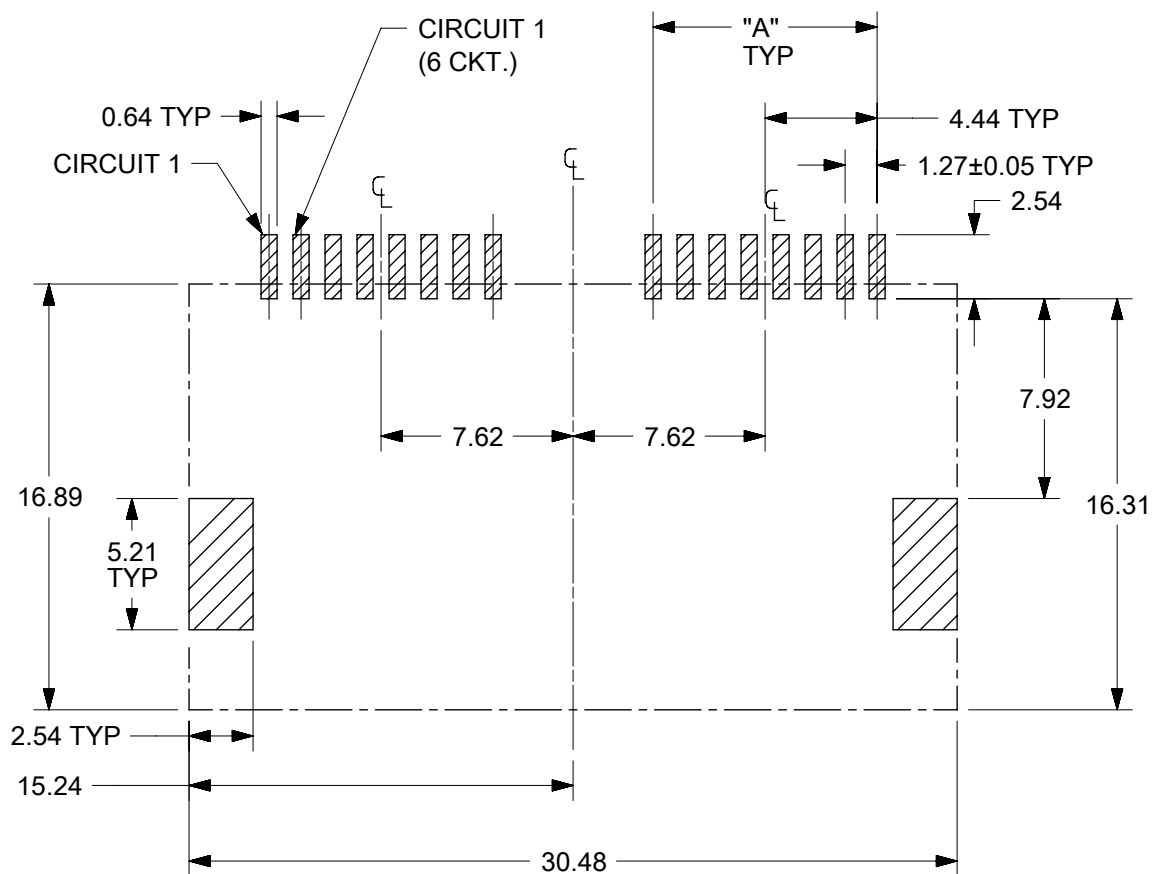
4) COPLANARITY SPECIFICATIONS:
 WITH THE MODULAR JACK SITTING ON A LEVEL SURFACE, THE MAXIMUM GAP BETWEEN
 THE LEVEL SURFACE AND ALL TERMINAL TAILS AND BOTH FITTING NAILS IS 0.15 mm.

5) CONVECTION SOLDERING TECHNOLOGY SHOULD BE USED WHEN GANGING MODULAR
 JACKS WITH INBOARD NAILS SIDE-BY-SIDE.

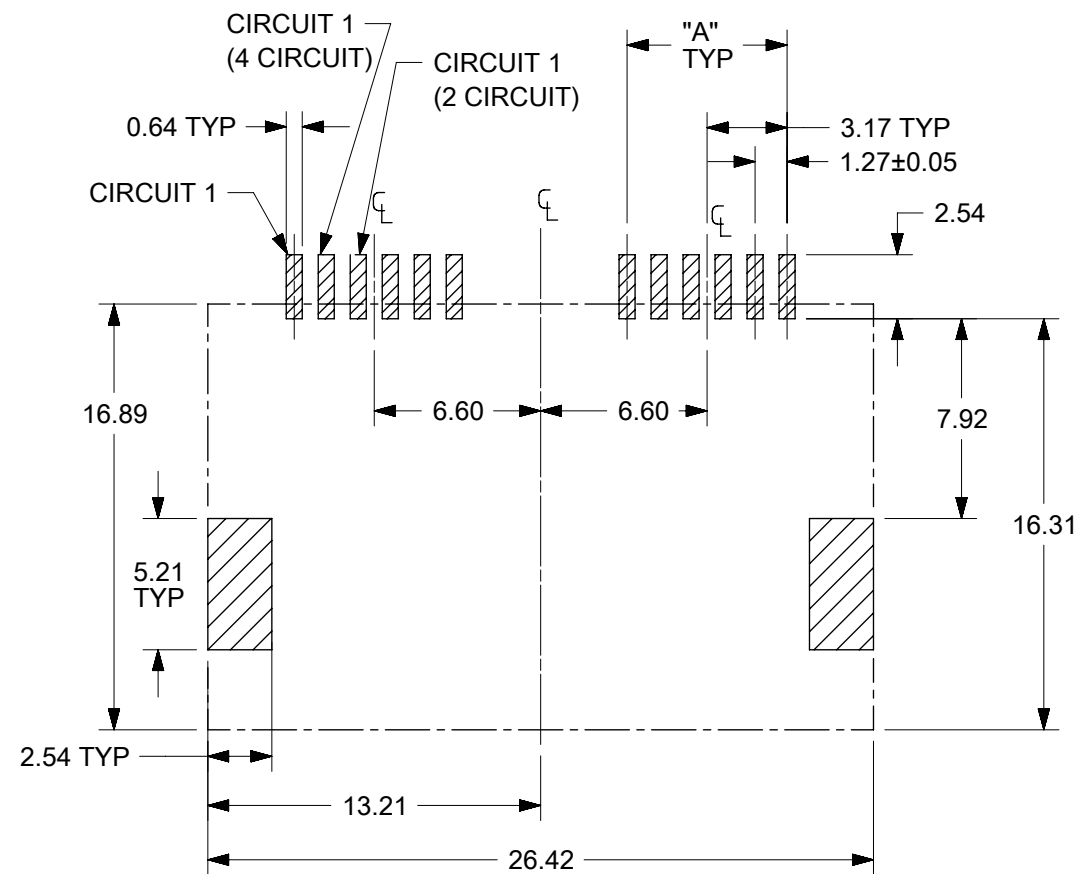
6) THIS PART CONFORMS TO CLASS B REQUIREMENTS OF COSMETIC
 SPECIFICATION PS-45499-002.

HOUSING SIZE	CIRCUIT SIZE	DIM. A
6	6	6.35
6	4	3.81
6	2	1.27
8	8	8.89
8	6	6.35
8	4	3.81

SYMBOLS		THIS DRAWING CONTAINS INFORMATION THAT IS PROPRIETARY TO MOLEX ELECTRONIC TECHNOLOGIES, LLC AND SHOULD NOT BE USED WITHOUT WRITTEN PERMISSION		CURRENT REV DESC: INITIAL RELEASE			
DIMENSION UNITS		SCALE		EC NO: 175951			
MM		3:1		DRWN: AFENG02 2018/04/16		2 PORT SMT. JACK ASSY LCP W/FLUSH MOUNT NAILS	
GENERAL TOLERANCES (UNLESS SPECIFIED)		ANGULAR TOL ± 0.5°		CHK'D: KLANG 2018/05/03			
▽ = 0		4 PLACES ±		APPR: KLANG 2018/05/03		PRODUCT CUSTOMER DRAWING	
▽ = 0		3 PLACES ±		INITIAL REVISION:			
▽ = 0		2 PLACES ± 0.25		DRWN: AFENG02 2018/04/16		DOCUMENT NUMBER	
▽ = 0		1 PLACE ± 0.38		APPR: KLANG 2018/05/03		441930103	
□ = 0		0 PLACES ±		THIRD ANGLE PROJECTION		DOC TYPE	
DRAFT WHERE APPLICABLE MUST REMAIN WITHIN DIMENSIONS		DRAWING		SERIES		DOC PART	
		A3-SIZE		44193		REVISION	
		DRAWING		MATERIAL NUMBER		CUSTOMER	
		A3-SIZE		SEE CHART		GENERAL MARKET	
						SHEET NUMBER	
						1 OF 2	

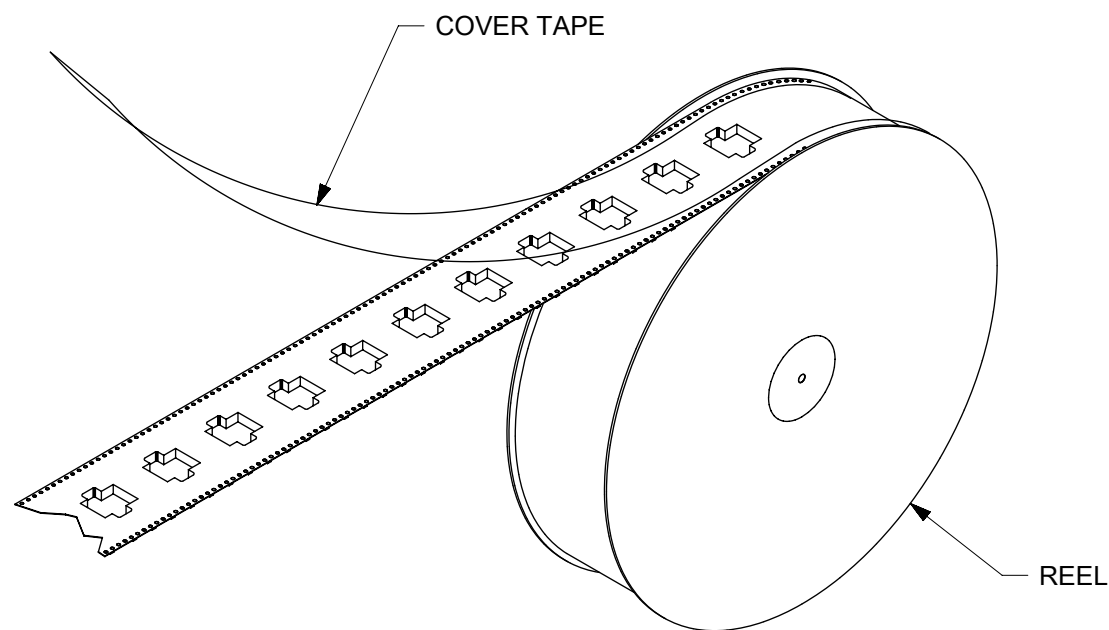


**PC BOARD LAYOUT FOR
8 POSITION HOUSING**
(COMPONENT SIDE OF BOARD)



**PC BOARD LAYOUT FOR
6 POSITION HOUSING**
(COMPONENT SIDE OF BOARD)

HOUSING SIZE	CIRCUIT SIZE	DIM. A
6	6	6.35
6	4	3.81
6	2	1.27
8	8	8.89
8	6	6.35
8	4	3.81



VACUUM FORMED CARRIER TAPE WITH
SPROCKET HOLES
TAPE AND REEL PACKAGING

ASSEMBLY ITEM NO.	CONNECTOR SIZE	CIRCUIT SIZE	TERMINAL PLATING	TAPE & REEL PACKAGING NO.
44193-0103	8	8	A	PK-70873-7014
44193-0104	6	4	A	PK-70873-7013
44193-0105	6	6	A	PK-70873-7013

SYMBOLS	THIS DRAWING CONTAINS INFORMATION THAT IS PROPRIETARY TO MOLEX ELECTRONIC TECHNOLOGIES, LLC AND SHOULD NOT BE USED WITHOUT WRITTEN PERMISSION		CURRENT REV DESC: INITIAL RELEASE			
	DIMENSION UNITS	SCALE				
▽ = 0	MM	3:1				
▽ = 0	GENERAL TOLERANCES (UNLESS SPECIFIED)					molex
▽ = 0	ANGULAR TOL ± 0.5°					
▽ = 0	4 PLACES ±		EC NO: 175951	2018/04/16	2 PORT SMT. JACK ASSY LCP W/FLUSH MOUNT NAILS	
▽ = 0	3 PLACES ±		DRWN: AFENG02	2018/05/03	PRODUCT CUSTOMER DRAWING	
▽ = 0	2 PLACES ± 0.25		CHK'D: KLANG	2018/05/03	DOCUMENT NUMBER	
▽ = 0	1 PLACE ± 0.38		APPR: KLANG	2018/05/03	441930103	DOC TYPE DOC PART REVISION
▽ = 0	0 PLACES ±		INITIAL REVISION:		PSD	000 A
□ = 0	DRAFT WHERE APPLICABLE MUST REMAIN WITHIN DIMENSIONS		DRWN: AFENG02	2018/04/16	MATERIAL NUMBER	
▽ = 0			APPR: KLANG	2018/05/03	SEE CHART	CUSTOMER
			THIRD ANGLE PROJECTION	DRAWING	SERIES	SHEET NUMBER
				A3-SIZE	44193	2 OF 2