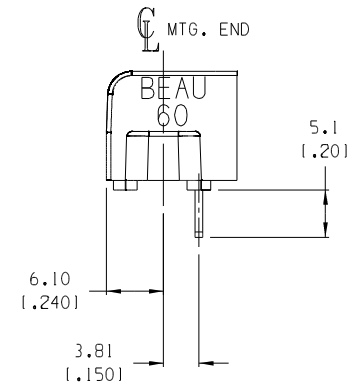
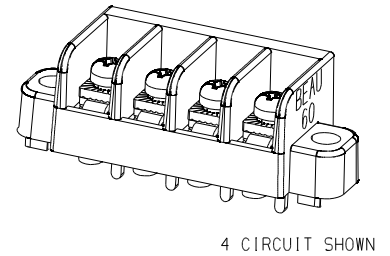
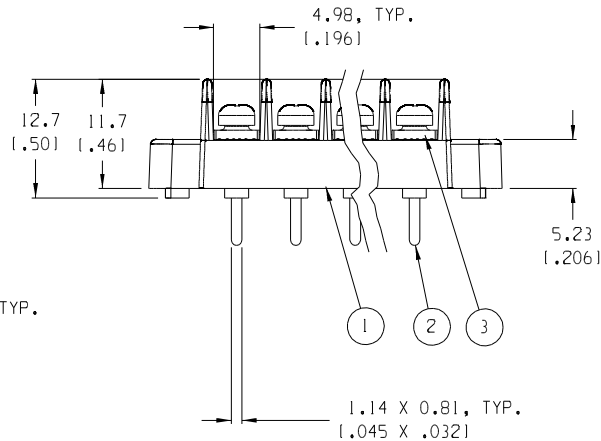
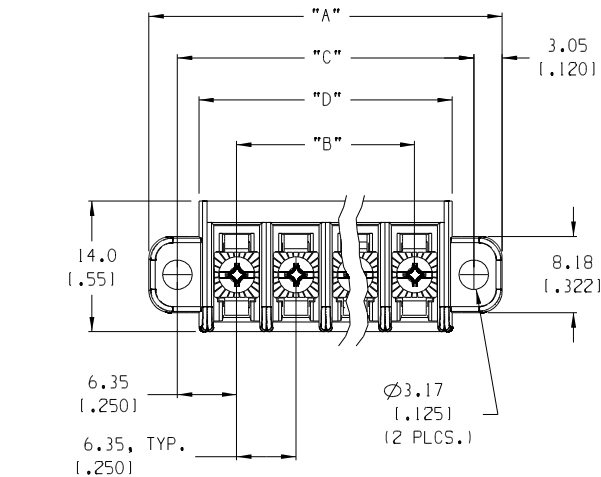
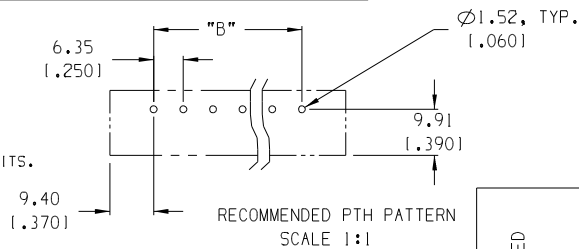


| QTY. OF CIRC. "XX" | DIM. "A" | DIM. "B" | DIM. "C" | DIM. "D" | MATERIAL # (-50 OPT.) |
|--------------------|--------------|----------------|----------------|--------------|-----------------------|
| 02 | 25.1 (1.99) | 6.35 (1.250) | 19.05 (1.750) | 14.4 (1.57) | 38600-7602 |
| 03 | 31.5 (1.24) | 12.70 (1.500) | 25.40 (1.000) | 20.8 (1.82) | 38600-7603 |
| 04 | 37.8 (1.49) | 19.05 (1.750) | 31.75 (1.250) | 27.1 (1.07) | 38600-7604 |
| 05 | 44.2 (1.74) | 25.40 (1.000) | 38.10 (1.500) | 33.5 (1.32) | 38600-7605 |
| 06 | 50.5 (1.99) | 31.75 (1.250) | 44.45 (1.750) | 39.8 (1.57) | 38600-7606 |
| 07 | 56.9 (2.24) | 38.10 (1.500) | 50.80 (2.000) | 46.2 (1.82) | 38600-7607 |
| 08 | 63.2 (2.49) | 44.45 (1.750) | 57.15 (2.250) | 52.5 (2.07) | 38600-7608 |
| 09 | 69.6 (2.74) | 50.80 (2.000) | 63.50 (2.500) | 58.9 (2.32) | 38600-7609 |
| 10 | 75.9 (2.99) | 57.15 (2.250) | 69.85 (2.750) | 65.2 (2.57) | 38600-7610 |
| 11 | 82.3 (3.24) | 63.50 (2.500) | 76.20 (3.000) | 71.6 (2.82) | 38600-7611 |
| 12 | 88.6 (3.49) | 69.85 (2.750) | 82.55 (3.250) | 77.9 (3.07) | 38600-7612 |
| 13 | 95.0 (3.74) | 76.20 (3.000) | 88.90 (3.500) | 84.3 (3.32) | 38600-7613 |
| 14 | 101.3 (3.99) | 82.55 (3.250) | 95.25 (3.750) | 90.6 (3.57) | 38600-7614 |
| 15 | 107.7 (4.24) | 88.90 (3.500) | 101.60 (4.000) | 97.0 (3.82) | 38600-7615 |
| 16 | 114.0 (4.49) | 95.25 (3.750) | 107.95 (4.250) | 103.3 (4.07) | 38600-7616 |
| 17 | 120.4 (4.74) | 101.60 (4.000) | 114.30 (4.500) | 109.7 (4.32) | 38600-7617 |
| 18 | 126.7 (4.99) | 107.95 (4.250) | 120.65 (4.750) | 116.0 (4.57) | 38600-7618 |
| 19 | 133.1 (5.24) | 114.30 (4.500) | 127.00 (5.000) | 122.4 (4.82) | 38600-7619 |
| 20 | 139.4 (5.49) | 120.65 (4.750) | 133.35 (5.250) | 128.7 (5.07) | 38600-7620 |
| 21 | 145.8 (5.74) | 127.00 (5.000) | 139.70 (5.500) | 135.1 (5.32) | 38600-7621 |
| 22 | 152.1 (5.99) | 133.35 (5.250) | 146.05 (5.750) | 141.4 (5.57) | 38600-7622 |
| 23 | 158.5 (6.24) | 139.70 (5.500) | 152.40 (6.000) | 147.8 (5.82) | 38600-7623 |
| 24 | 164.8 (6.49) | 146.05 (5.750) | 158.75 (6.250) | 154.1 (6.07) | 38600-7624 |
| 25 | 171.2 (6.74) | 152.40 (6.000) | 165.10 (6.500) | 160.5 (6.32) | 38600-7625 |
| 26 | 177.5 (6.99) | 158.75 (6.250) | 171.45 (6.750) | 166.8 (6.57) | 38600-7626 |
| 27 | 183.9 (7.24) | 165.10 (6.500) | 177.80 (7.000) | 173.2 (6.82) | 38600-7627 |
| 28 | 190.2 (7.49) | 171.45 (6.750) | 184.15 (7.250) | 179.5 (7.07) | 38600-7628 |
| 29 | 196.6 (7.74) | 177.80 (7.000) | 190.50 (7.500) | 185.9 (7.32) | 38600-7629 |
| 30 | 202.9 (7.99) | 184.15 (7.250) | 196.85 (7.750) | 192.2 (7.57) | 38600-7630 |
| 31 | 209.3 (8.24) | 190.50 (7.500) | 203.20 (8.000) | 198.6 (7.82) | 38600-7631 |
| 32 | 215.6 (8.49) | 196.85 (7.750) | 209.55 (8.250) | 204.9 (8.07) | 38600-7632 |

- NOTES:
1. MATERIAL: SEE TABLE
 2. FINISHES: SEE TABLE
 3. PRODUCT SPECIFICATION: NOT REQUIRED
 4. PACKAGING: NOT REQUIRED
 5. MATES WITH: NONE
 6. "XX" REFERS TO THE QUANTITY OF CIRCUITS.



| 3 | XX | SCREW, #3-48, PHIL-SLOT, SQ WASHER (-50 OPT.) | STEEL | ZN, CLEAR CHROMATE |
|------|------|---|----------|--------------------|
| 2 | XX | TERMINAL, PC | BRASS | TIN PLATE |
| 1 | 1 | INSULATOR, SR, CLOSED SIDE | BLACK | THERMOPLASTIC |
| ITEM | QTY. | DESCRIPTION | MATERIAL | FINISH |

| | | | | | | | | | |
|------------------------|-----------------|--|------|--|---|--|--------------|------------------|---|
| EC NO. RELEASED CLY | QUALITY SYMBOLS | GENERAL TOLERANCES: (UNLESS SPECIFIED) | | SCALE: 2:1 | DESIGN UNITS: <input type="checkbox"/> mm <input checked="" type="checkbox"/> INCH | THIRD ANGLE PROJECTION | PROJECT NO.: | - | - |
| | | mm | INCH | DRAWN BY & DATE C. YORK 11-22-04 | DIMENSIONS: <input checked="" type="checkbox"/> mm <input type="checkbox"/> INCH <input type="checkbox"/> mm ONLY | | SHT | REV | |
| MAJOR | CRITICAL | 4 PLACES ±.0015 | | CHECKED BY & DATE | | TITLE: 6.35mm (.250") SR BTS ASSY, CLOSED SIDE, CLAMP WASHER SCREW | | | |
| | | 3 PLACES ±.038 ±.005 | | APPROVED BY & DATE | | MATERIAL NO. SEE CHART | | | |
| SPC | S | 2 PLACES ±.13 ±.01 | | CAD FILENAME: 605XX | | DRAWING NO. SD-38600-003 | | SHEET NO. 1 OF 1 | |
| | | 1 PLACE ±.3 | | MATERIAL NO. SEE CHART | | DRAWING NO. SD-38600-003 | | SIZE B | |
| ANGULAR: ±2° | | DRAFT WHERE APPLICABLE MUST REMAIN WITHIN DIMENSIONS | | THIS DRAWING CONTAINS INFORMATION THAT IS PROPRIETARY TO MOLEX INCORPORATED AND SHOULD NOT BE USED WITHOUT WRITTEN PERMISSION. | | | | | |