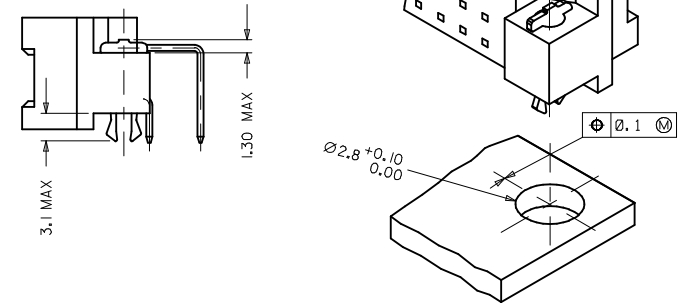


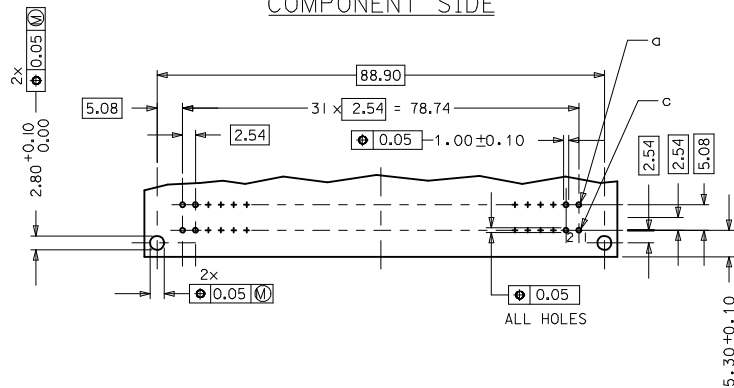
WITH MOUNTING CLIPS



NOTES:

- 1) MATERIAL : THERMOPLASTIC POLYESTER, GLASS FILLED  
UL94 V-0, COLOR : PEBBLE GREY RAL 7032  
TERMINAL - BRASS  
MOUNTING CLIP : STEEL
- 2) FINISH : TERMINAL CONTACT AREA  
1) PERFORMANCE LEVEL 3: SELECTIVE GOLD (Au), THICKNESS = 0.3 MICROMETER  
OVER NICKEL, THICKNESS = 1.25 MICROMETER  
TERMINATION AREA:  
SELECTIVE TIN, THICKNESS = 2.5 MICROMETER  
OVER NICKEL, THICKNESS = 1.25 MICROMETER OVERALL
- 3) MOUNTING CLIP :  
TIN (Sn), THICKNESS = 5-10 MICROMETER  
OVER NICKEL (Ni) THICKNESS = 2.5 MICROMETER
- 4) FOR NON MOUNTING CLIP OPTION, CONNECTOR TO BE SECURED WITH  
RIVETS : 2 TUBULAR RIVETS 2.5 X 0.3 ... DIN 7340  
SCREWS : 2 CHEESEHEAD SCREWS M2.5 X ... DIN 84 AND HEXAGONAL NUTS M2.5 DIN 934
- 5) MATERIAL NUMBER, BATCH CODE, UL AND CSA MARKING TO BE PRINTED ON THE CONNECTOR
- 6) CUT FACE OF TIP WITHOUT PLATING PERMITTED
- 7) PRODUCT SPECIFICATION PS: 36502-001

RECOMMENDED PCB LAYOUT  
COMPONENT SIDE

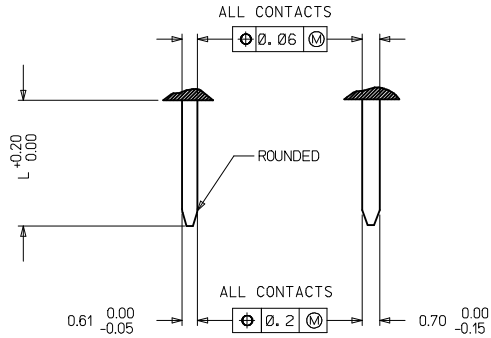


RoHS COMPLIANT

<b>ENTER DESCRIPTION</b> ELEC NO: 12009-0311 DRAWN BY: DRWINP JT CHKD BY: HARSHA APPR: SPANDI 2009/02/02 2009/02/02 2009/02/03	<b>QUALITY SYMBOLS</b> ▽=0 ▽=0	<b>GENERAL TOLERANCES (UNLESS SPECIFIED)</b>		<b>DIMENSION STYLE</b> MM ONLY		SCALE 1:1	DESIGN UNITS METRIC	THIRD ANGLE PROJECTION	
		4 PLACES ± --- ± --- 3 PLACES ± 0.005 ± --- 2 PLACES ± 0.10 ± --- 1 PLACE ± 0.15 ± ---	mm INCH	DRAWN BY SURAJ	DATE 2006/08/25	TITLE ASSEMBLY, DIN 41612 C MALE POLARIZED 64 POS CODING WTH MOUNTING CLPS			
		DRAFT WHERE APPLICABLE MUST REMAIN WITHIN DIMENSIONS		APPROVED BY SSUDHIR	DATE 2006/08/25	MATERIAL NO. 36504-0051			
				DOCUMENT NO. SD-36504-006	SHEET NO. 1 OF 2	MOLEX INCORPORATED			

20	19	18	17	16	15	14	13	12	11	10	9	8	7	6	5	4	3	2	1
MATERIAL NUMBER	MOLEX ENG NO	PERF LEVEL	PLATING	STD. CONTACT SEQUENCE/ROW	PREMATING CONTACT POS.	MOUNTING CLIP													
36504-0051	MM-B7600-C953	3	Au+Ni	a2-31, c2-31	a1, a32, c1, c32	YES													

DETAILY      DETAILX



PRE MATING CONTACTS	5.4
NORMAL CONTACTS	4.8
	L

RoHS COMPLIANT

<b>ENTER DESCRIPTION</b> EC NO: 12009-0311 DRAWN BY: CHYKOR HARSHA APPR: SPANDI 2009/02/02 2009/02/02 2009/02/03	<b>QUALITY SYMBOLS</b> ▽=0 ▽=0	<b>GENERAL TOLERANCES (UNLESS SPECIFIED)</b>		<b>DIMENSION STYLE</b> <b>MM ONLY</b>		<b>SCALE</b> 1:1	<b>DESIGN UNITS</b> METRIC	THIRD ANGLE PROJECTION	
		4 PLACES ± --- ± ---	mm	INCH	<b>DRAWN BY</b> SURAJ	<b>DATE</b> 2006/08/25	<b>TITLE</b> ASSEMBLY, DIN 41612 C MALE POLARIZED 64 POS CODING WTH MOUNTING CLPS		
		3 PLACES ± 0.005 ± ---			<b>CHECKED BY</b> SHANKAR	<b>DATE</b> 2006/08/25	<b>MOLEX INCORPORATED</b>		
		2 PLACES ± 0.10 ± ---			<b>APPROVED BY</b> SSUDHIR	<b>DATE</b> 2006/08/25	<b>MATERIAL NO.</b> 36504-0051	<b>DOCUMENT NO.</b> SD-36504-006	<b>SHEET NO.</b> 2 OF 2
1 PLACE ± 0.15 ± ---			ANGULAR ± 2 °		DRAFT WHERE APPLICABLE MUST REMAIN WITHIN DIMENSIONS				
				SIZE 1		THIS DRAWING CONTAINS INFORMATION THAT IS PROPRIETARY TO MOLEX INCORPORATED AND SHOULD NOT BE USED WITHOUT WRITTEN PERMISSION			