

REVISION HISTORY		
1/27/10	1	INITIAL RELEASE
5/3/10	1.1	MOVE SPEAKER OUTPUT, ADD CAP, BROWN SUPERCAP
5/16/10	2	INCREASED VIBRO STOP AFTERBURN AND CHANGE ACCELEROMETERS, CHANGE PRG_LED TO STATUS, DNL D5, ENLARGE HDG HOLES, MICROPHONE AND ROSE JYER OUTPUT
4/01/11	3	MODIFY CONTROLS TO SUPPORT EPIC174 & TO MORE CLOSELY MATCH THE DESIGN
3/08/2012	4	UPDATE RESET OUT, ADD FCT & PRG/COMB, CHANGE BL DEFAULT TO D5/D6/D7
5/31/2012	5	CHANGE LCD INTERFACE TO SUPPORT 'D521' MODULE
10/18/2013	6	ADD BROWN BUTTON TO RESET SIGNAL
07/24/2013	7	ADD -OEM-00.311F5.1 OPTIONS FOR LCD, ADD A24 TO NON_FLASH, ADD Buzzer DEFAULT TO 50Hz
10/15/2013	7.1	CHANGE TX DEFAULT FROM LOAD

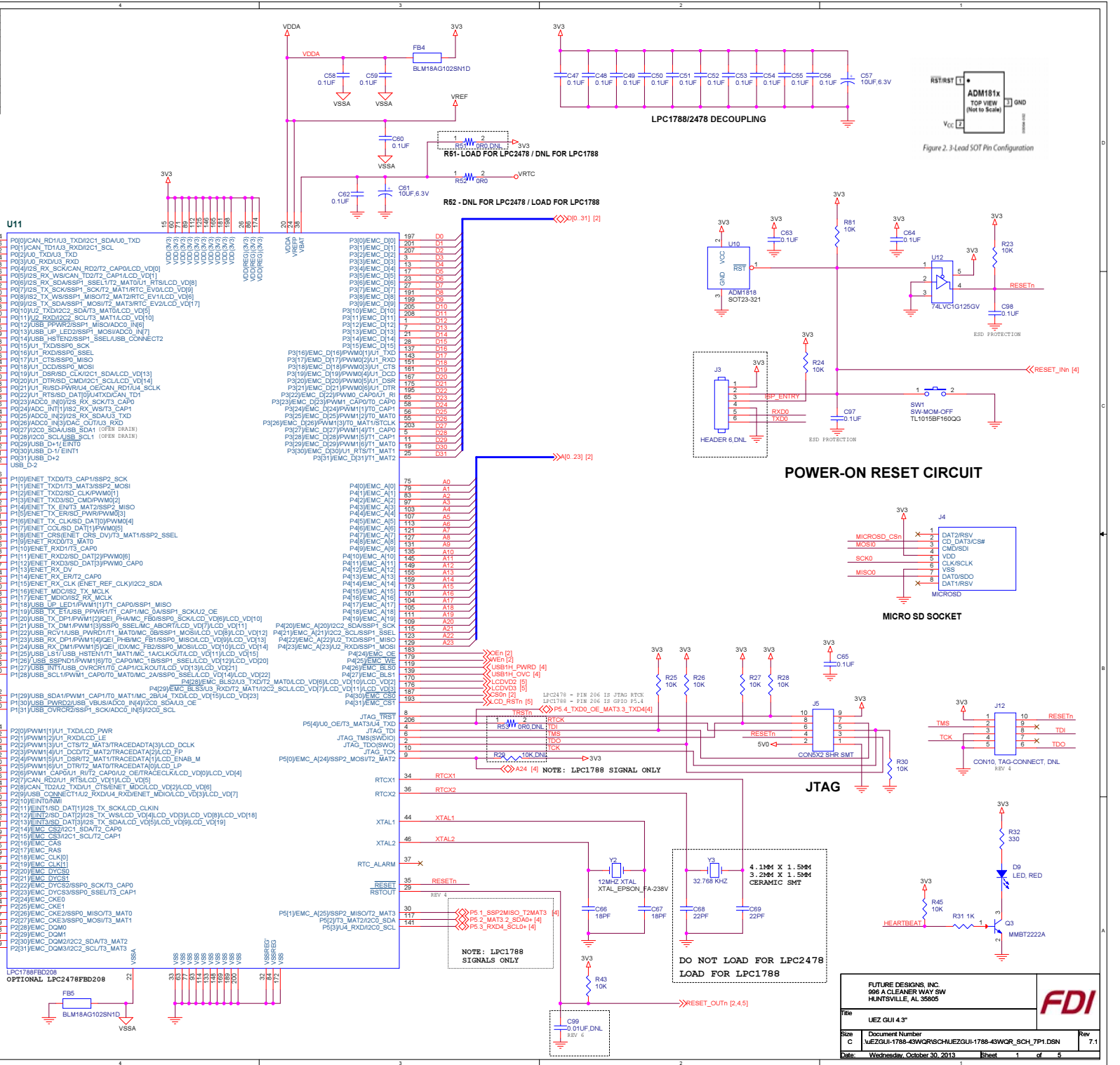


Figure 2. 3-Lead SOT Pin Configuration

**POWER-ON RESET CIRCUIT**

**MICRO SD SOCKET**

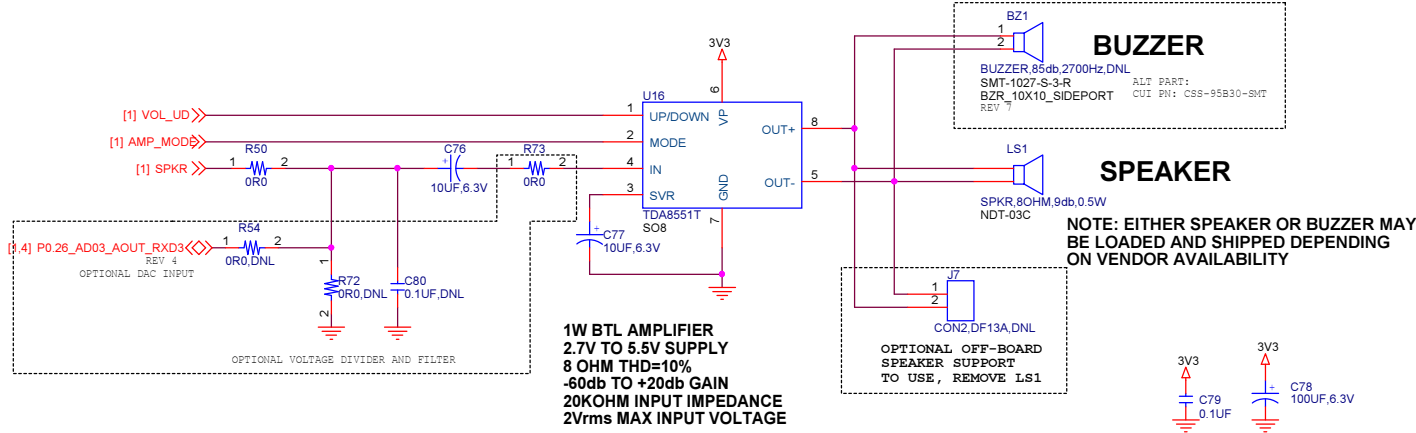
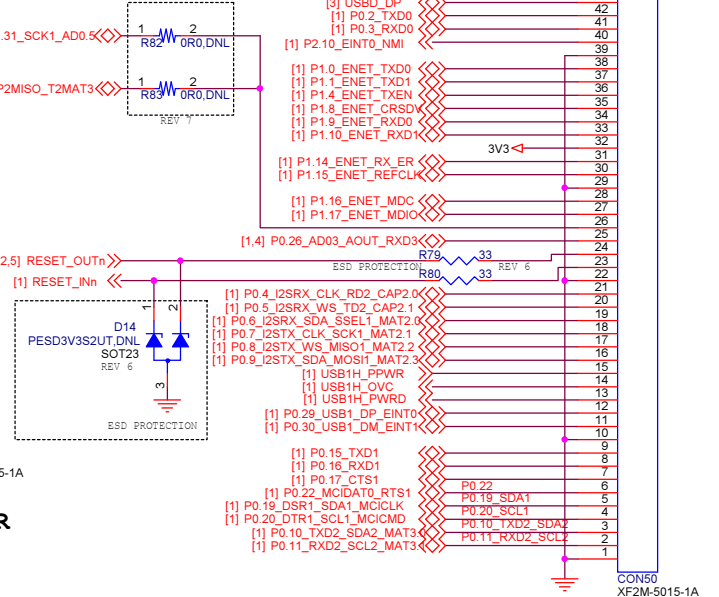
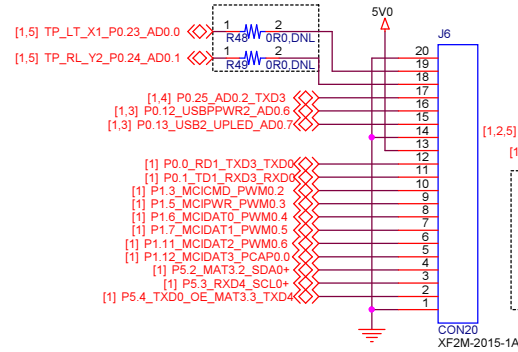
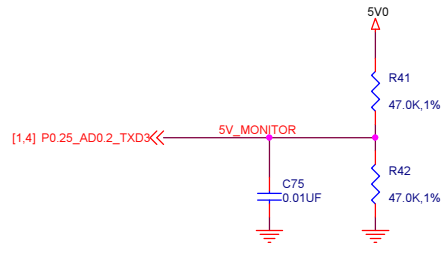
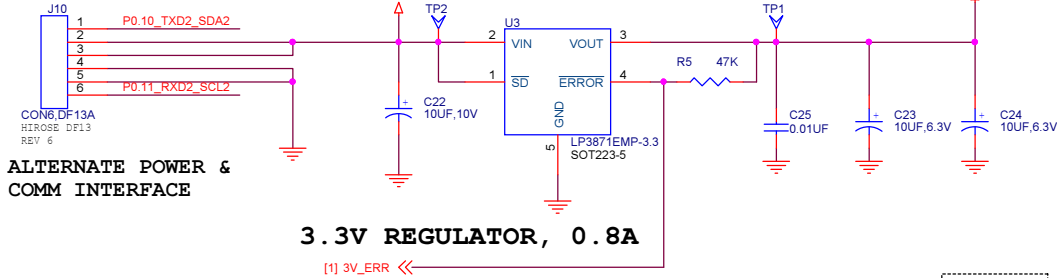
**JTAG**

**DO NOT LOAD FOR LPC2478 LOAD FOR LPC1788**

FUTURE DESIGNS, INC. 996 A CLEVER WAY SW HUNTSVILLE, AL 35895		
File: LEZ GUI 4.3*	Document Number: LEZGUI-1788-43WGRSCHAEVJ-1788-43WGR_SCH_7P1.DSN	
Date: Wednesday, October 30, 2013	Sheet: 1 of 5	

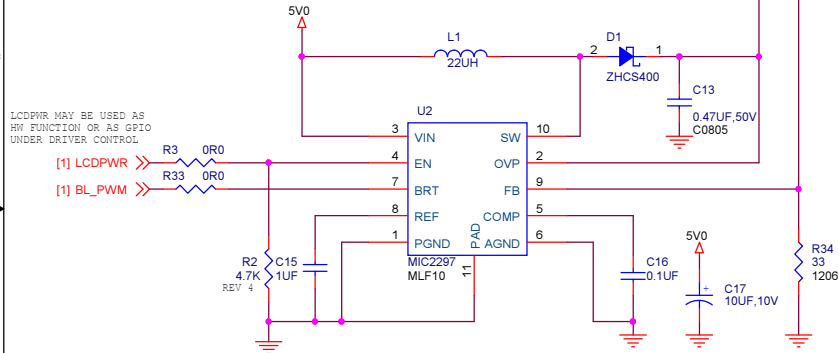
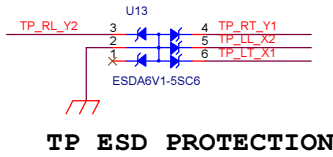






FUTURE DESIGNS, INC. 996 A CLEANER WAY SW HUNTSVILLE, AL 35805		<b>FDI</b>
Title: UEZ GUI 4.3"		
Size: B	Document Number: \uezgui-1788-43wqrischuezgui-1788-43wqr_sch_7p1.dsn	Rev: 7.1
Date: Wednesday, October 30, 2013	Sheet: 4	of 5

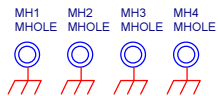
# SHARP LCD (DG28)



BACKLIGHT CURRENT CALCULATION:

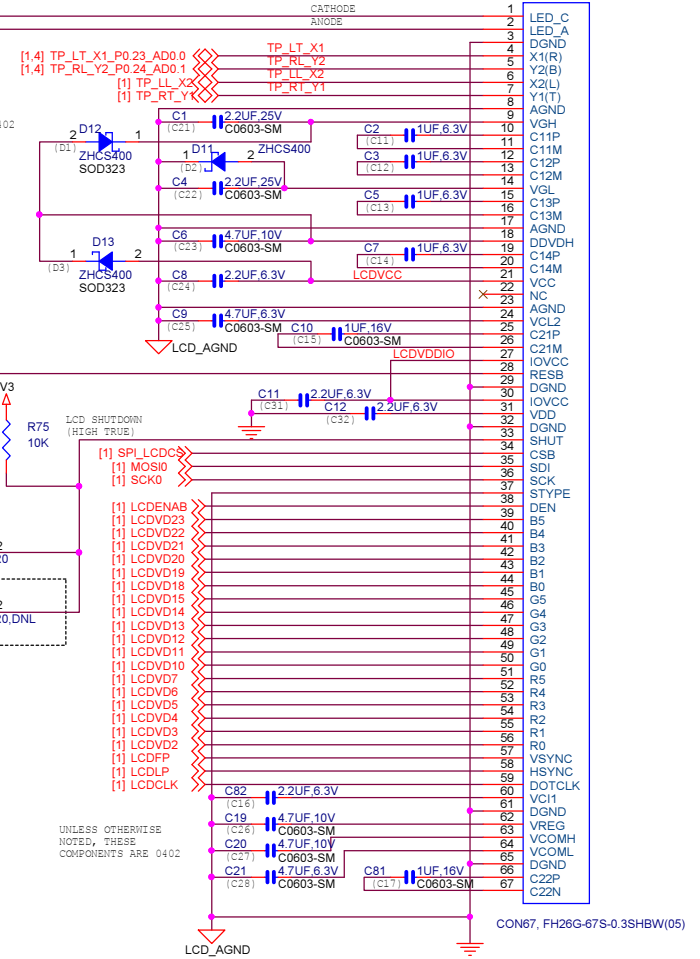
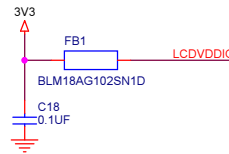
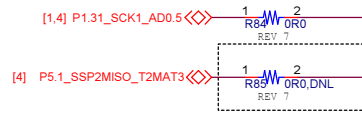
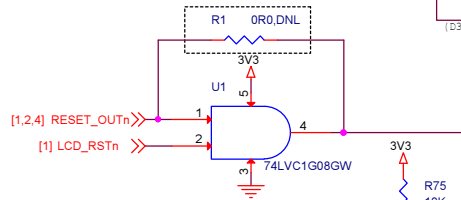
$$I_{LED} = \frac{V_{peak} \cdot D}{5 \cdot R_{sense}}$$

I<sub>LED</sub> = 20mA FOR THE FOLLOWING;  
 R<sub>SENSE</sub> (R34) = 330HM  
 V<sub>PEAK</sub> (BRT PIN) = 3.3V  
 D (BRT PIN) = 0% TO 100%



UNLESS OTHERWISE NOTED, THESE COMPONENTS ARE 0402

SUPPORT FOR CPU RESET CONTROL OF LCD MODULE LOAD U1 AND DNL R1



NOTE: SHIELD LCD\_AGND AND CONNECT TO GND AT A SINGLE POINT

FUTURE DESIGNS, INC. 996 A CLEANER WAY SW HUNTSVILLE, AL 35805		<b>FDI</b>
Title: UEZ GUI 4.3"		
Size: B	Document Number: \UEZGUI-1788-43WQR\SCH\UEZGUI-1788-43WQR_SCH_7P1.DSN	Rev: 7.1
Date: Wednesday, October 30, 2013	Sheet: 5	of 5