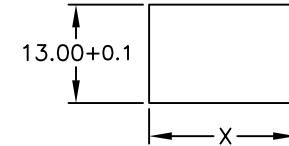
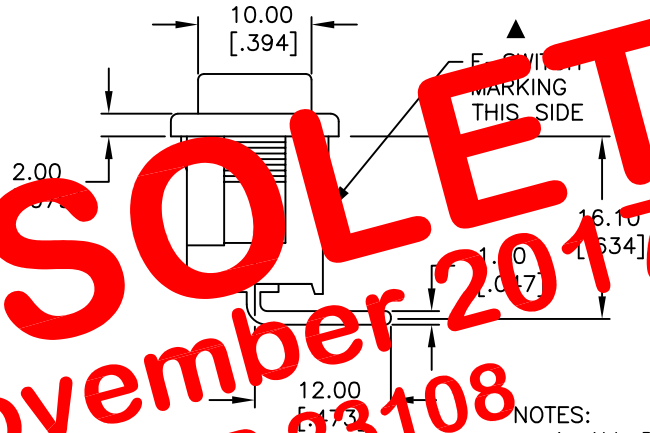
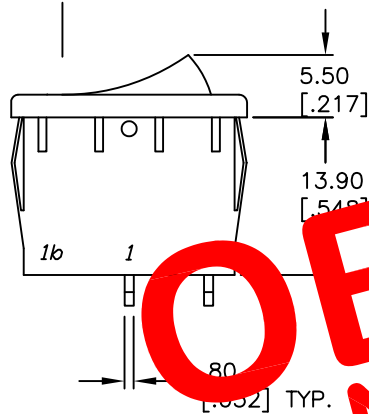


PANEL THICKNESS	X dimension
0.75-1.25 [.030-.049]	19.2-0.1 [.756]
1.25-2.0 [.049-.079]	19.4-0.1 [.764]
2.0-3.0 [.079-.118]	19.8-0.1 [.780]

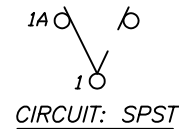


PANEL CUTOUT
NOT TO SCALE

ACTUATOR COLOR: WHITE ▲
BODY COLOR: WHITE ▲



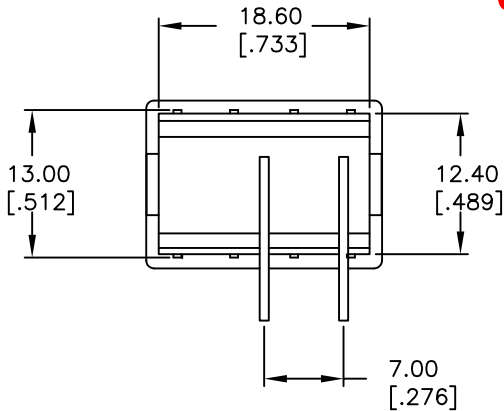
SWITCH FUNCTION	
POS. 1	POS. 2
ON	OFF
1-1a	OPEN



OBSOLETE
November 2017
PCR 23108

NOTES:

- ALL DIMENSIONS IN MM [INCH]
- GENERAL TOLERANCE: X.X=±0.4
X.XX=±0.25
- TERMINAL NUMBERS FOR REF ONLY
- RATING: 15A @ 125VAC OR
6A @ 250VAC
- APPROVALS:
(UL, CSA, VDE, NEMKO, SEMKO, FIMKO, DEMKO)
- MATERIALS: TERMINALS: Silver Plated Copper Alloy
CONTACTS: Coin Silver, Silver Plated
- ELECTRICAL LIFE: 10,000 cycles
- CONTACT RESISTANCE: <20 Mega Ω
- INSULATION RESISTANCE: >1000 Mega Ω
- DIELECTRIC STRENGTH: >1500 V 1 minute
>3000 V between poles
- ▲ DENOTES CRITICAL PARAMETER.



E-SWITCH®

TITLE		R1966AWHTWHTIR			
SCALE	DATE	DR	DWG	REV	
1.5:1	8/28/03	AR	M301252	A	

A	13411	RELEASED FOR PRODUCTION	8/28/03	AR
REV.	ECN No.	DESCRIPTION	DATE	CHKD

THE INFORMATION CONTAINED IN THIS DOCUMENT IS PROPRIETARY TO E-SWITCH AND IS NOT TO BE COPIED OR TRANSFERRED