



20dB 50ohm fixed attenuator BNC plug to BNC jack 4GHz rated 2 watt

RF Fixed Attenuators Technical Data Sheet

PE7437-20

Features

- DC to 4 GHz Frequency Range
- Attenuation 20 dB Typical
- Max Power 2 Watts (CW)
- VSWR < 1.25:1
- 50 Ohm Impedance

Applications

- Wireless
- Video Signal Transmission
- Radar Systems
- Test and Measurement
- Commercial and Military Communication
- Avionics

Description

Pasternack carries a wide range of fixed attenuators with a broad selection of attenuation levels, frequency ranges, and power dissipation ranges. RF microwave attenuators (also known as RF pads) lower the amplitude of a signal (attenuate) a known amount and can be used in a wide variety of applications. These attenuator pads are used when a signal needs to be reduced to protect measurement equipment or other circuitry, to extend the range of power meters and amplifiers, and to impedance match circuits by reducing the VSWR seen by adjacent components. RF attenuators can prevent signal overload in amplifiers, receivers and detectors, adjusting the signal level to a range that is optimal.

Few RF components are as commonly used as fixed coaxial attenuators, and Pasternack carries one of the largest in-stock varieties and ships them same day. The 20 dB Fixed Attenuator PE7437-20 is rated to 2 Watts and operates from DC to 4 GHz. The versatile coaxial package uses BNC male to BNC female connectors and is also REACH compliant.

Electrical Specifications

Description	Minimum	Typical	Maximum	Units
Frequency Range	DC		4	GHz
Impedance		50		Ohms
Nominal Attenuation		20		dB
Attenuation Accuracy		0.5		dB
VSWR			1.25:1	
Input Power, CW			2	Watts

Mechanical Specifications

Size

Length	2.087 in [53.01 mm]
Width/Diameter	0.571 in [14.5 mm]
Height	0.571 in [14.5 mm]
Weight	0.05 lbs [22.68 g]
Body Material and Plating	Brass, Tri-Metal

Click the following link (or enter part number in "SEARCH" on website) to obtain additional part information including price, inventory and certifications: [20dB 50ohm fixed attenuator BNC plug to BNC jack 4GHz rated 2 watt PE7437-20](#)



20dB 50ohm fixed attenuator BNC plug
to BNC jack 4GHz rated 2 watt

RF Fixed Attenuators Technical Data Sheet

PE7437-20

Configuration

Design Fixed

Connectors

Description	Connector 1	Connector 2
Type	BNC Male	BNC Female
Contact Material and Plating	Phosphor Bronze, Gold	Phosphor Bronze, Gold
Coupling Nut Material and Plating	Stainless Steel	
Body Material and Plating	Brass, Tri-Metal	Brass, Tri-Metal

Environmental Specifications

Temperature

Operating Range -55 to +125 deg C

Compliance Certifications (see [product page](#) for current document)

Plotted and Other Data

Notes:

20dB 50ohm fixed attenuator BNC plug to BNC jack 4GHz rated 2 watt from Pasternack Enterprises has same day shipment for domestic and International orders. Our RF, microwave and millimeter wave products maintain a 99.4% availability and are part of the broadest selection in the industry.

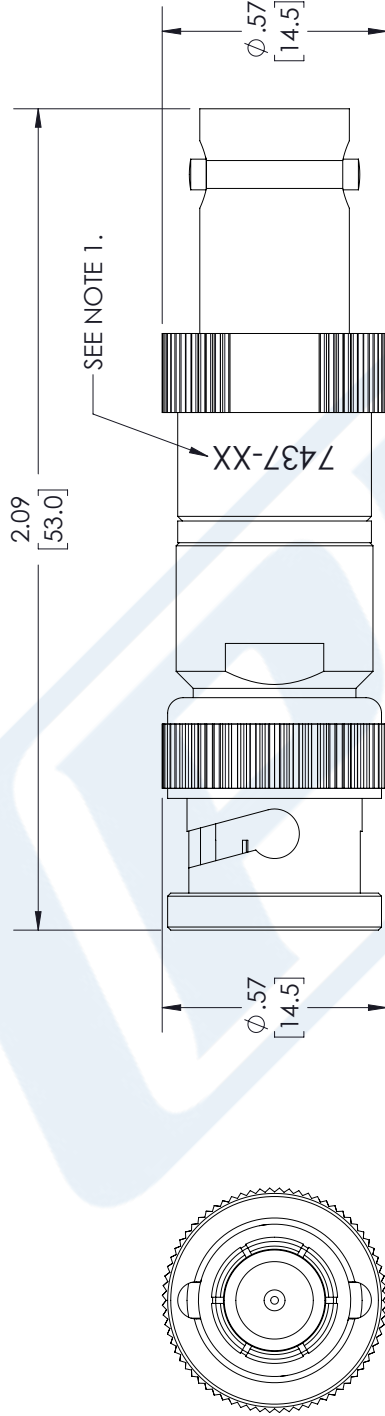
Click the following link (or enter part number in "SEARCH" on website) to obtain additional part information including price, inventory and certifications: [20dB 50ohm fixed attenuator BNC plug to BNC jack 4GHz rated 2 watt PE7437-20](#)

URL: <https://www.pasternack.com/20db-fixed-bnc-male-bnc-female-2-watts-attenuator-pe7437-20-p.aspx>

PE7437-20 CAD Drawing

20dB 50ohm fixed attenuator BNC plug to BNC jack 4GHz rated 2 watt

REVISIONS			
REV.	DESCRIPTION	DATE	APPROVED
A	INITIAL RELEASE	03/31/22	S. PONG



BNC JACK

BNC PLUG

<p>UNLESS OTHERWISE SPECIFIED LEADING DIMENSIONS ARE INCHES DIMENSIONS IN [] ARE MILLIMETERS</p> <p>TOLERANCES:</p> <table border="0"> <tr> <td>.X = ±.2 [5.08]</td> <td>FRACTIONS ±.1/32</td> </tr> <tr> <td>.XX = ±.02 [.51]</td> <td>ANGLES ± 1°</td> </tr> <tr> <td>.XXX = ±.005 [.13]</td> <td></td> </tr> </table> <p>CABLE LENGTH (L) TOLERANCES:</p> <table border="0"> <tr> <td>L ≤ 12 [305]</td> <td>±.1 [25] / -0</td> </tr> <tr> <td>12 [305] < L ≤ 60 [1524]</td> <td>±.2 [51] / -0</td> </tr> <tr> <td>60 [1524] < L ≤ 120 [3048]</td> <td>±.4 [102] / -0</td> </tr> <tr> <td>120 [3048] < L ≤ 300 [7620]</td> <td>±.6 [152] / -0</td> </tr> <tr> <td>300 [7620] < L</td> <td>±.5%L / -0</td> </tr> </table> <p>ALL DIMENSIONS SHOWN ARE FOR REFERENCE ONLY.</p>	.X = ±.2 [5.08]	FRACTIONS ±.1/32	.XX = ±.02 [.51]	ANGLES ± 1°	.XXX = ±.005 [.13]		L ≤ 12 [305]	±.1 [25] / -0	12 [305] < L ≤ 60 [1524]	±.2 [51] / -0	60 [1524] < L ≤ 120 [3048]	±.4 [102] / -0	120 [3048] < L ≤ 300 [7620]	±.6 [152] / -0	300 [7620] < L	±.5%L / -0	<p>PE PASTERNAK an INFINITI[®] brand</p> <p>Pasternack Enterprises, Inc. P. O. Box 16759, Irvine, CA 92623. Phone: 1.949.261.1920 1.866.727.8376 Fax: 1.949.261.7451 Website: www.pasternack.com E-mail: sales@pasternack.com</p>	<p>THIRD-ANGLE PROJECTION</p> <p>THE INFORMATION AND DESIGN IN THIS DOCUMENT IS THE PROPERTY OF PASTERNAK CORPORATION. ALL RIGHTS RESERVED.</p> <p>SHEET 1 OF 1</p> <p>SCALE N/A</p>
	.X = ±.2 [5.08]	FRACTIONS ±.1/32																
.XX = ±.02 [.51]	ANGLES ± 1°																	
.XXX = ±.005 [.13]																		
L ≤ 12 [305]	±.1 [25] / -0																	
12 [305] < L ≤ 60 [1524]	±.2 [51] / -0																	
60 [1524] < L ≤ 120 [3048]	±.4 [102] / -0																	
120 [3048] < L ≤ 300 [7620]	±.6 [152] / -0																	
300 [7620] < L	±.5%L / -0																	
<p>SIZE A</p> <p>CAGE CODE A</p> <p>DRAWN BY A.KRESOWSKI</p> <p>ITEM NO. PE7437</p> <p>REV A</p>																		

- NOTES:
- ITEM IS MARKED WITH PART NUMBER WHERE SHOWN.
"-XX" DENOTES THE ATTENUATION VALUE.
EXAMPLE: 7437-1 = 1dB, 7437-10 = 10dB, ETC.

THESE COMMODITIES, TECHNOLOGY OR SOFTWARE WERE EXPORTED FROM THE UNITED STATES IN ACCORDANCE WITH THE EXPORT ADMINISTRATION REGULATIONS. DIVERSION CONTRARY TO U.S. LAW PROHIBITED.