

Instruction manual for Evaluation Board of TB67B008FNG

July 2nd, 2019

Rev.1.1

【Outline】

The TB67B008FNG is a three-phase PWM chopper driver for sensorless brushless motors. It controls motor rotation speed by changing the PWM duty cycle, based on the speed control input.

BiCD process are adopted, and Rating of 40V and 3.0A is realized.

Necessary external parts are mounted on this board. So, it is possible to control the motor by connecting a motor.

Please sense the controllability of 3 phase brushless DC motor using TB67B008FNG.

【Note】

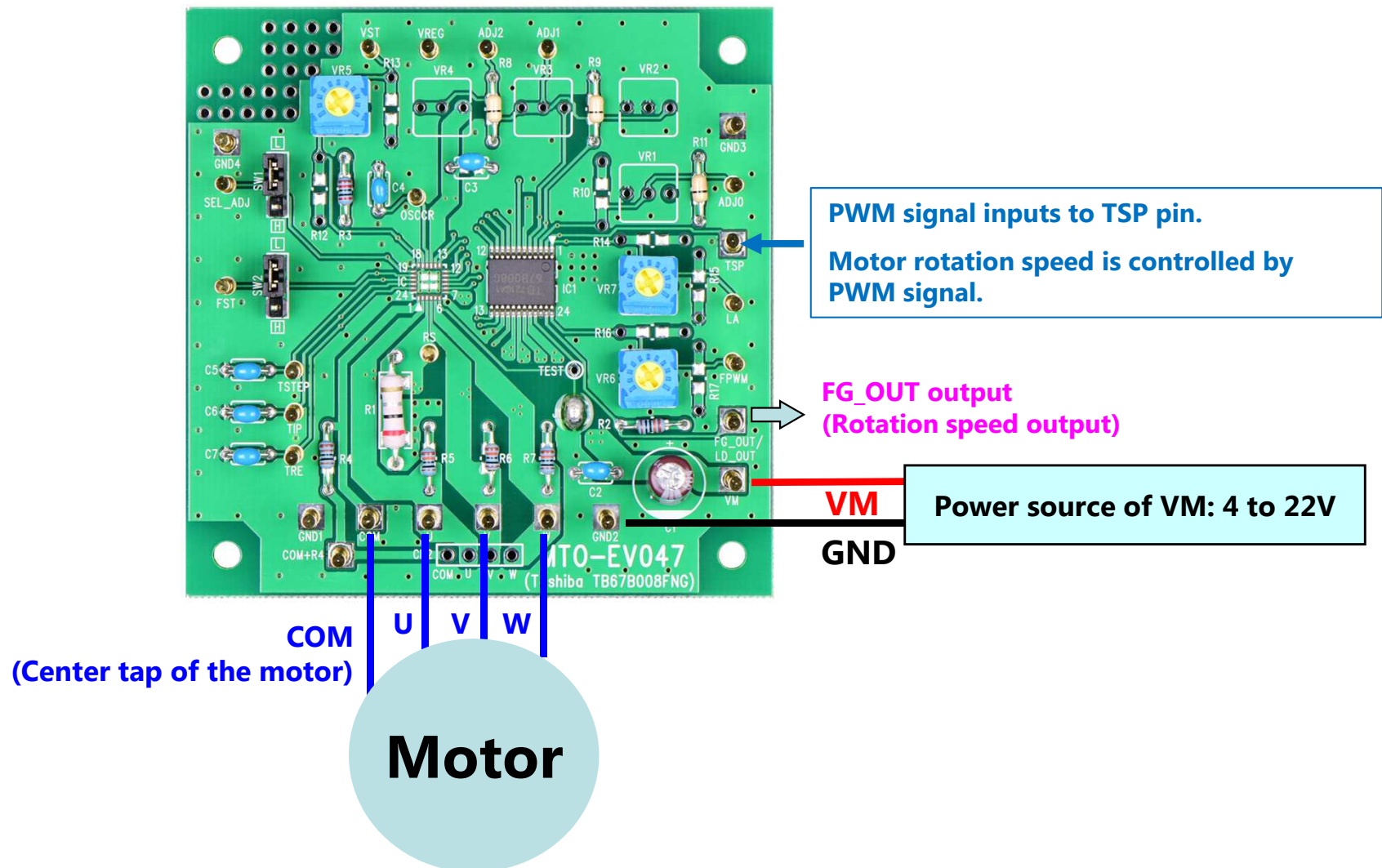
In using, please be careful about thermal condition sufficiently.

As for each control signal, please refer to the IC specification by accessing to the below URL.

<https://toshiba.semicon-storage.com/us/product/linear/motordriver/detail.TB67B008FNG.html>

Further, the application of this evaluation board is limited to the purpose of evaluating and learning the motor control. Please do not ship them to a market.

Connection to Evaluation board



Operation sequence

【Startup sequence】

- 1. Connect a motor to evaluation board**
- 2. Confirm the each conditions. And perform reconfiguration according to usage conditions.**
- 3. Turn on VM power supply: VM = 4 to 22V**
→When used in initial settings, a motor rotates at full speed.

【Stop sequence】

- 1. When stopping a motor rotation, set VR9 (TSP / VSP) voltage to 0V.**
- 2. Turn off VM power supply.**

【Notes】

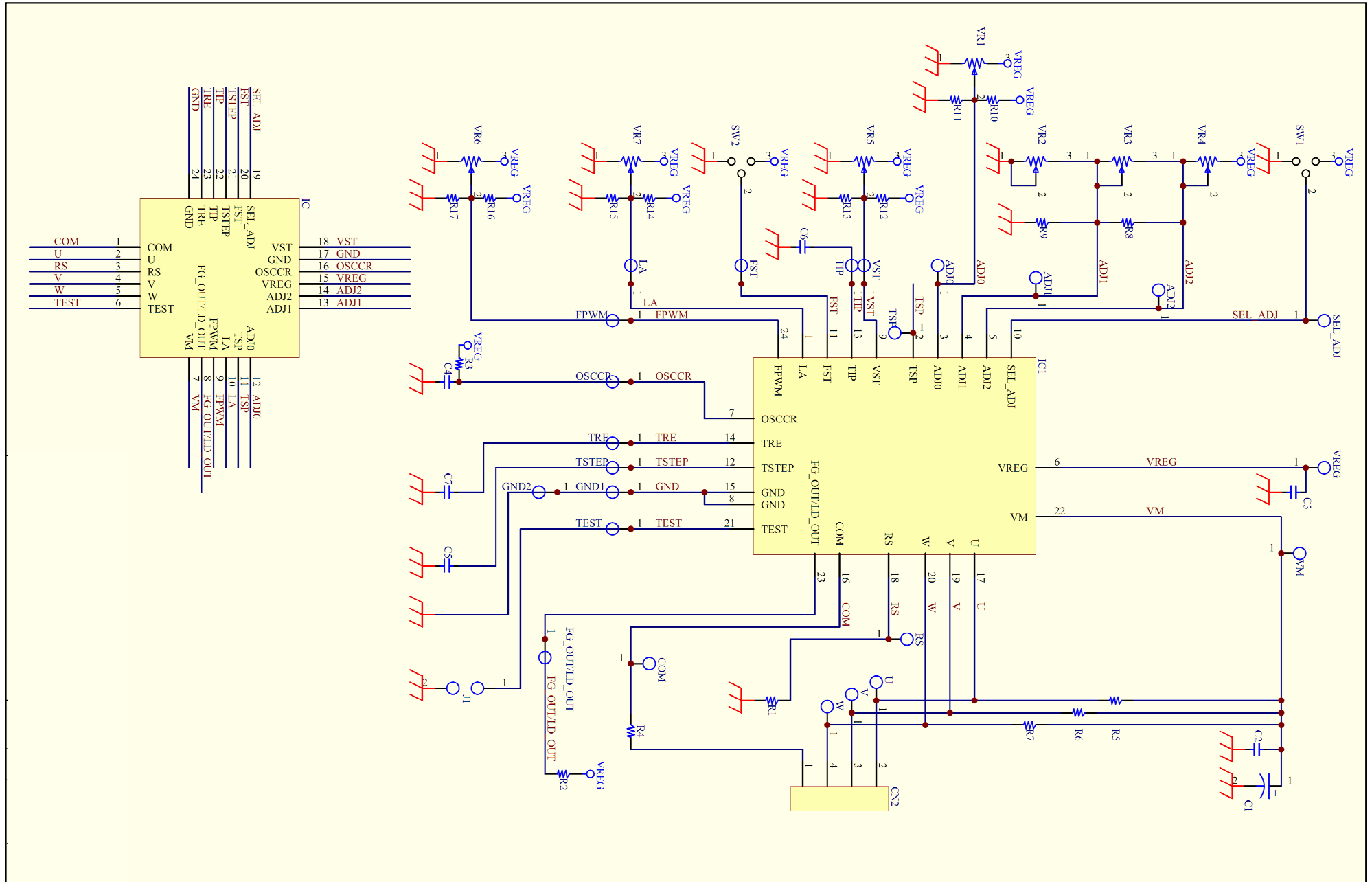
- Note 1 : When does not rotate correctly at startup, please adjust SW2, VR5, and C6 (FST, VST, TIP terminals).**

Settings

| Parts name | Pin name | H/L | Initial settings | Description |
|------------|----------|-----|------------------|--|
| SW1 | SEL_ADJ | H | - | Input duty and output duty are set to same settings. When uses ADJ terminal, please set it. |
| | | M | - | |
| | | L | ↳ | |
| SW2 | FST | H | - | Forced commutation frequency 1.6 Hz Please change when adjusting forced commutation frequency setting at startup. |
| | | M | - | |
| | | L | ↳ | |

| Parts name | Pin name | Initial settings | Description |
|------------|----------|------------------|---|
| VR5 | VST | Short to VREG | Startup with full duty mode. Please change this value when adjusting start setting. |
| VR6 | FPWM | Short to VREG | 8 steps is set. When adjusts output PWM frequency, please change by VR6. |
| VR7 | LA | Short to VREG | Lead angle is set to 30° When sets lead angle, please adjust by VR7. |
| C5 | TSTEP | 1nF | Approximately, 0.01s is set. When adjusts acceleration time, please change this value. |
| C6 | TIP | 0.1μF | Approximately, 1s is set. When adjusts DC resolution term at startup, please change this value. |
| C7 | TRE | 0.1μF | Approximately, 1s is set. When adjusts recovery time at abnormal detection, please change this value. |
| R1 | RS | 0.2Ω | Limit value of output current = $0.25V / 0.2\Omega = 1.25A$ |
| R8/9/11 | ADJ0/1/2 | Shorts to GND | Input duty and output duty are same settings. When uses ADJ terminals, please set this value. |

Circuit diagram of evaluation board



BOM List

| | Parts number | Parts type number | Supplier | Products type | Value | Mount /No mount | | Parts number | Parts type number | Supplier | Products type | Value | Mount /No mount |
|----|--------------|--------------------|-----------|----------------------|-------|-----------------|----|---------------|-------------------|----------|-------------------|-------------|-----------------|
| 1 | R1 | MOSX1CR20J | KOA | Resistor | 0.2Ω | 実装 | 25 | SW1 | 2130S1*3GSE | Linkman | Jumper | | 実装 |
| | | CSR1206FKR200 | Stackpole | Resistor (SMD type) | 0.2Ω | 未実装 | | | 2180BBA | Linkman | Short pin | | 実装 |
| 2 | R2 | MFS1/4CC1003F | KOA | Resistor | 100kΩ | 実装 | 26 | SW2 | 2130S1*3GSE | Linkman | Jumper | | 実装 |
| | | RK73B2BTDD104J | | Resistor (SMD type) | 100kΩ | 未実装 | | | 2180BBA | Linkman | Short pon | | 実装 |
| 3 | R3 | MFS1/4CC2002F | KOA | Resistor | 20kΩ | 実装 | 27 | VR1 | PVG3A104C01R00 | | Potentiometer | 100kΩ | 未実装 |
| | | RK73B2BTDD203J | | Resistor (SMD type) | 20kΩ | 未実装 | 28 | VR2 | PVG3A104C01R00 | | Potentiometer | 100kΩ | 未実装 |
| 4 | R4 | MFS1/4CC1001F | KOA | Resistor | 1kΩ | 実装 | 29 | VR3 | PVG3A104C01R00 | | Potentiometer | 100kΩ | 未実装 |
| | | RK73B2BTDD102J | | Resistor (SMD type) | 1kΩ | 未実装 | 30 | VR4 | PVG3A104C01R00 | | Potentiometer | 100kΩ | 未実装 |
| 5 | R5 | MFS1/4CC1003F | KOA | Resistor | 100kΩ | 実装 | 31 | VR5 | PVG3A104C01R00 | | Potentiometer | 100kΩ | 実装 |
| | | RK73B2BTDD104J | | Resistor (SMD type) | 100kΩ | 未実装 | 32 | VR6 | PVG3A104C01R00 | | Potentiometer | 100kΩ | 実装 |
| 6 | R6 | MFS1/4CC1003F | KOA | Resistor | 100kΩ | 実装 | 33 | VR7 | PVG3A104C01R00 | | Potentiometer | 100kΩ | 実装 |
| | | RK73B2BTDD104J | | Resistor (SMD type) | 100kΩ | 未実装 | 34 | J1 | | | Round for short | GND | 実装 |
| 7 | R7 | MFS1/4CC1003F | KOA | Resistor | 100kΩ | 実装 | 35 | COM | 型番:ST-1-3 | | Check pin | - | 実装 |
| | | RK73B2BTDD104J | | Resistor (SMD type) | 100kΩ | 未実装 | 36 | U | 型番:ST-1-3 | | Check pin | - | 実装 |
| 8 | R8 | Z16C | KOA | Resistor | Short | 実装 | 37 | V | 型番:ST-1-3 | | Check pin | - | 実装 |
| | | RK73Z2ETTD | KOA | Resistor (SMD type) | Short | 未実装 | 38 | W | 型番:ST-1-3 | | Check pin | - | 実装 |
| 9 | R9 | Z16C | KOA | Resistor | Short | 実装 | 39 | GND | 型番:ST-1-3 | | Check pin | - | 実装 |
| | | RK73Z2ETTD | KOA | Resistor (SMD type) | Short | 未実装 | 40 | VM | 型番:ST-1-3 | | Check pin | - | 実装 |
| 10 | R10 | | | Resistor | | 未実装 | 41 | FG_OUT/LD_OUT | 型番:ST-1-3 | | Check pin | - | 実装 |
| | | | | Resistor (SMD type) | - | 未実装 | 42 | TSP | 型番:ST-1-3 | | Check pin | - | 実装 |
| 11 | R11 | Z16C | KOA | Resistor | Short | 実装 | 43 | VREG | 型番:ST-1-3 | | Check pin | - | 実装 |
| | | RK73Z2ETTD | KOA | Resistor (SMD type) | Short | 未実装 | 44 | SEL_ADJ | 型番:ST-1-3 | | Check pin | - | 実装 |
| 12 | R12 | | | Resistor | | 未実装 | 45 | ADJ0 | 型番:ST-1-3 | | Check pin | - | 実装 |
| | | | | Resistor (SMD type) | - | 未実装 | 46 | ADJ1 | 型番:ST-1-3 | | Check pin | - | 実装 |
| 13 | R13 | | | Resistor | | 未実装 | 47 | ADJ2 | 型番:ST-1-3 | | Check pin | - | 実装 |
| | | | | Resistor (SMD type) | - | 未実装 | 48 | VST | 型番:ST-1-3 | | Check pin | - | 実装 |
| 14 | R14 | | | Resistor | | 未実装 | 49 | TIP | 型番:ST-1-3 | | Check pin | - | 実装 |
| | | | | Resistor (SMD type) | - | 未実装 | 50 | LA | 型番:ST-1-3 | | Check pin | - | 実装 |
| 15 | R15 | | | Resistor | | 未実装 | 51 | FPWM | 型番:ST-1-3 | | Check pin | - | 実装 |
| | | | | Resistor (SMD type) | - | 未実装 | 52 | OSCCR | 型番:ST-1-3 | | Check pin | - | 実装 |
| 16 | R16 | | | Resistor | | 未実装 | 53 | TRE | 型番:ST-1-3 | | Check pin | - | 実装 |
| | | | | Resistor (SMD type) | - | 未実装 | 54 | TSTEP | 型番:ST-1-3 | | Check pin | - | 実装 |
| 17 | R17 | | | Resistor | | 未実装 | 55 | TEST | 型番:ST-1-3 | | Check pin | - | 未実装 |
| | | | | Resistor (SMD type) | - | 未実装 | 56 | RS | 型番:ST-1-3 | | Check pin | - | 実装 |
| 18 | C1 | KMG50VB10M | | Capacitor | 10μF | 実装 | 57 | FST | 型番:ST-1-3 | | Check pin | - | 実装 |
| | | | | Capacitor (SMD type) | 10μF | 未実装 | 58 | COM+R4 | 型番:ST-1-3 | | Check pin | - | 実装 |
| 19 | C2 | RDER71H104K0K1H03B | murata | Capacitor | 0.1μF | 実装 | 59 | CN2 | | | | | 未実装 |
| | | GRM319R72A104KA01D | | Capacitor (SMD type) | 0.1μF | 未実装 | 60 | IC | TB67B008FNG | | Motor Driver x IC | TB67B008FNG | 実装 |
| 20 | C3 | RDER71H104K0K1H03B | murata | Capacitor | 0.1μF | 実装 | | | | | | | |
| | | GRM319R72A104KA01D | | Capacitor (SMD type) | 0.1μF | 未実装 | | | | | | | |
| 21 | C4 | RDE5C1H181J0K1H03B | murata | Capacitor | 180pF | 実装 | | | | | | | |
| | | 12061A181JAT2A | AVX | Capacitor (SMD type) | 180pF | 未実装 | | | | | | | |
| 22 | C5 | RDE5C1H102J0K1H03B | murata | Capacitor | 1 n F | 実装 | | | | | | | |
| | | 12065C102JAZ2A | AVX | Capacitor (SMD type) | 1 n F | 未実装 | | | | | | | |
| 23 | C6 | RDER71H104K0K1H03B | murata | Capacitor | 0.1μF | 実装 | | | | | | | |
| | | GRM319R72A104KA01D | | Capacitor (SMD type) | 0.1μF | 未実装 | | | | | | | |
| 24 | C7 | RDER71H104K0K1H03B | murata | Capacitor | 0.1μF | 実装 | | | | | | | |
| | | GRM319R72A104KA01D | | Capacitor (SMD type) | 0.1μF | 未実装 | | | | | | | |

◆ Important Note ◆

● This product was not designed for use with devices which could cause personal injury in the event of failure or malfunction, including devices for use in areas including medical, military, aviation, aerospace, nuclear control, other types of safety mechanisms, etc., or for use in devices which require a high standard of safety. Do not use this product for such applications. This company assumes no liability for damages which may result from use of the product.

Manufactured and Distributed by



<https://www.marutsu.com>

Marutsuelec Co., Ltd.

5-2-2, Seiki Daiichi Building 7F, Sotokanda, Chiyoda-ku,
Tokyo 101-0021, Japan

Tel: +81-3-6803-0209 FAX: +81-3-6803-0213