

# Customer Information Sheet

DRAWING No.: M80-906XX02

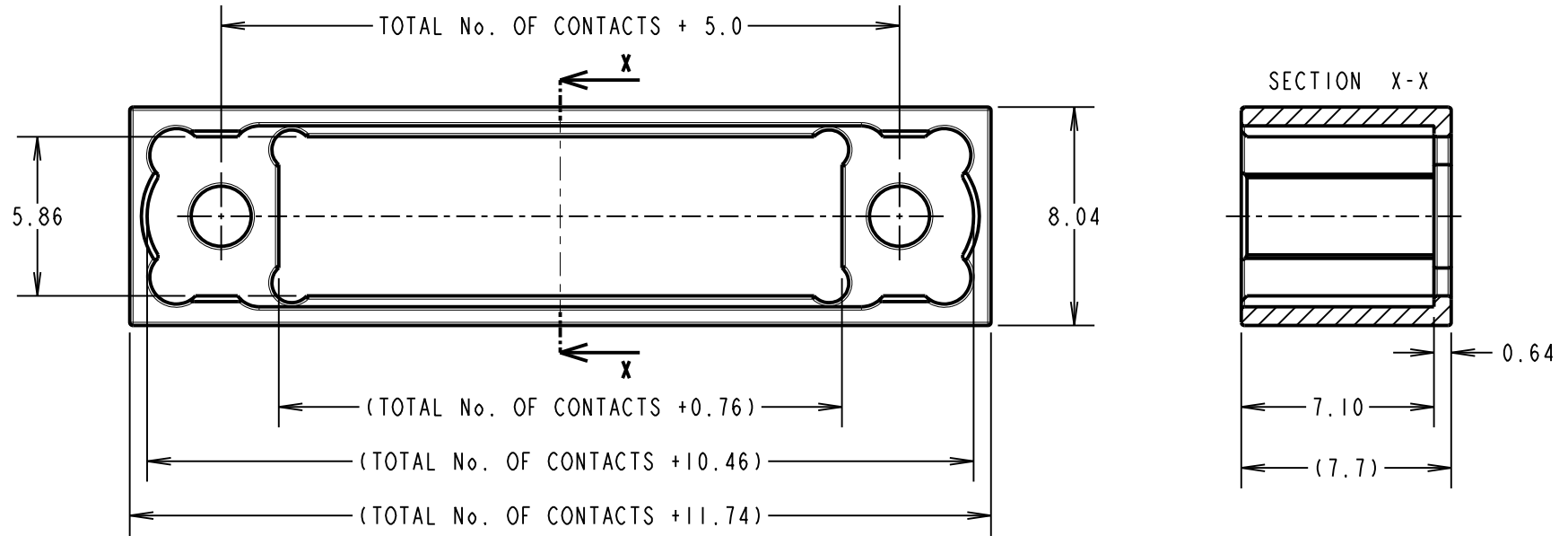
IF IN DOUBT - ASK

©

NOT TO SCALE

THIRD ANGLE PROJECTION

ALL DIMENSIONS IN mm



**SPECIFICATIONS:**

MATERIAL = ALUMINIUM ALLOY  
FINISH = ELECTROLESS NICKEL

**ELECTRICAL:**

RF ATTENUATION = 10kHz TO 400MHz @ >30dBs  
IN GENERAL ACCORDANCE WITH MIL-STD-1377

**ENVIRONMENTAL:**

TEMPERATURE RANGE = -55°C TO +125°C

**PACKING:**

INNER PACK: 5 (WRAPPED IN TISSUE)  
OUTER PACK: BAG  
FOR COMPLETE SPECIFICATION, SEE COMPONENT SPECIFICATION C042XX (LATEST ISSUE)

**ORDER CODE:**

**M80-906XX02**

**TOTAL No. OF CONTACTS**

08, 10, 12, 14, 16, 18,  
20, 22, 24, 26, 28, 32,  
34, 36, 38, 40, 42, 44,  
46, 48, 50

RA	11	15.10.20	30269
NAME	ISS.	DATE	CN/CO
APPROVED: R.ALEXANDER			
CHECKED:		R.PORTLOCK	
DRAWN:		S.FLOWER	
CUSTOMER REF.:			
ASSEMBLY DRG:			

**HARWIN**

www.harwin.com  
technical@harwin.com

THIS DRAWING AND ANY INFORMATION OR DESCRIPTIVE MATTER SET OUT HEREON ARE CONFIDENTIAL AND COPYRIGHT PROPERTY OF THE HARWIN GROUP AND MUST NOT BE DISCLOSED, LOANED, COPIED OR USED FOR MANUFACTURING, TENDERING OR FOR ANY OTHER PURPOSE WITHOUT THEIR WRITTEN PERMISSION.

**TOLERANCES**

X. = ±1mm  
X.X = ±0.50mm  
X.XX = ±0.20mm  
X.XXX = ±0.01mm  
ANGLES = ±5°  
UNLESS STATED

**MATERIAL:**

SEE ABOVE

FINISH: SEE ABOVE

S/AREA: mm<sup>2</sup>

**TITLE:**

DATAMATE J-TEK MALE  
PCB/PANEL MOUNT BACKSHELL

**DRAWING NUMBER:**

**M80-906XX02**

SHT  
5  
OF  
5