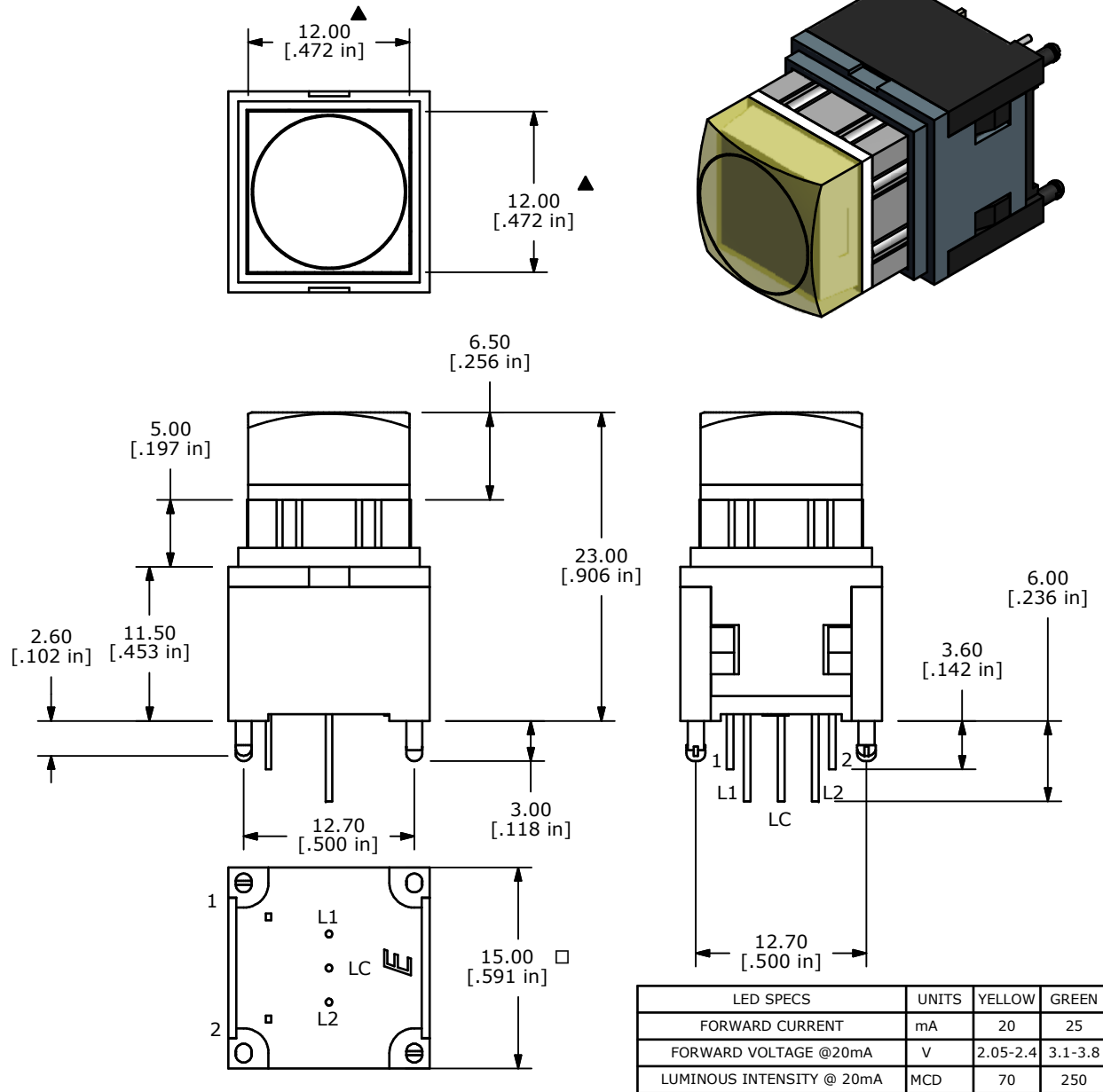


- NOTES:
1. ALL DIMENSIONS IN MM [INCH]
  2. GENERAL TOLERANCE: X.X=±0.4  
X.XX=±0.25
  3. TERM. NOS. FOR REFERENCE ONLY.
  4. RATING: 12VDC, 100mA
  5. CONTACT MATERIAL: GOLD PLATED
  6. CONTACT RESISTANCE: 200 MILLI-OHM MAX.
  7. INSULATION RESISTANCE: 500VDC, 100 MEGA-OHM MIN.
  - ▲ 8. OPERATING FORCE: 250 ± 100gf
  9. MECHANICAL LIFE: 1,000,000 CYCLES
  10. OPERATING TEMP: -20°C TO +70°C
  11. LED COLORS: YELLOW-GREEN
  12. TRAVEL: 4.50mm±0.20
  13. 2002/95/EC (ROHS) COMPLIANT
  14. ▲ DENOTES CRITICAL PARAMETER.



LED SPECS		UNITS	YELLOW	GREEN
FORWARD CURRENT		mA	20	25
FORWARD VOLTAGE @20mA		V	2.05-2.4	3.1-3.8
LUMINOUS INTENSITY @ 20mA		MCD	70	250

C	21454	CHANGE CONTACT MATERIAL TO GOLD	5/13/14	EBP
B	19357	UPDATE HOUSING, COVER, PLUNGER	11/08/10	BMA
A	18399	Release for Production	2/16/09	BLR
REV	PCR NO	DESCRIPTION	DATE	BY

**E-SWITCH**

**LAMB INDUSTRIES**

TITLE LP110A1NASYG

SCALE	DATE	DR	DWG	REV
2	2/16/2009	BLR	B231009	C