



American Opto Plus LED Corp.

L955T-WMC-Z

3.5 x 2.8 x 0.7mm PLCC-2

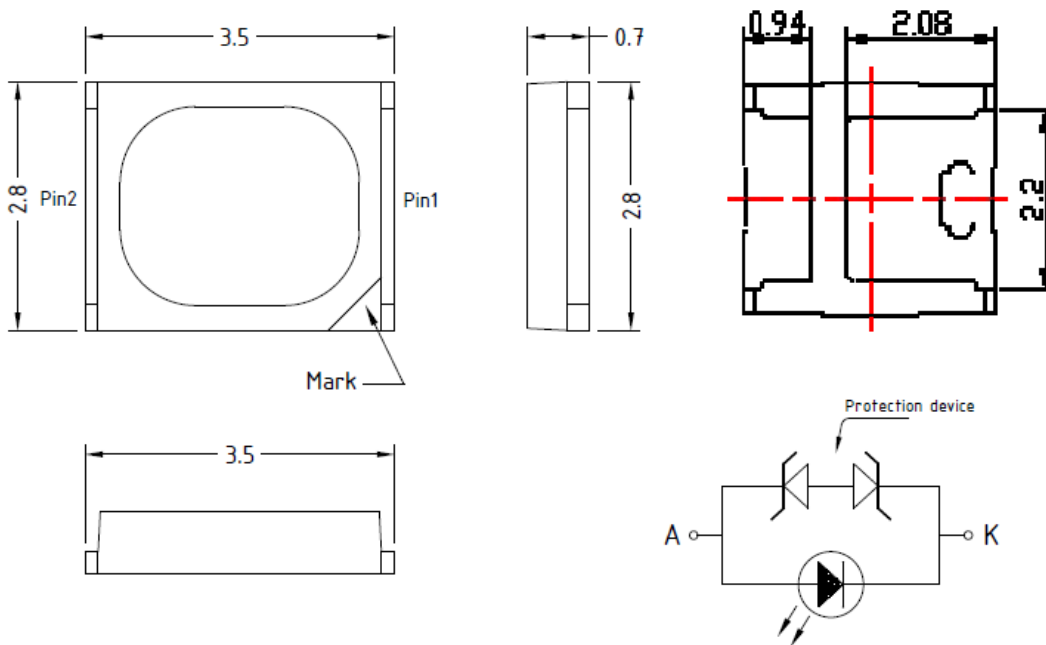
MAIN FEATURES:

- Low current requirement
- Wide viewing angle
- IR Reflow Soldering
- I.C. compatible

FEATURES:

- High Luminous Output Warm White SMD LED Lamp (InGaN)
- PLCC-2 3.5 x 2.8mm standard package with heat sink
- High reliability package
- Wide viewing angle 120 degree
- Available in 8mm carrier tape on 7 inch reel (2000 pieces)

PACKAGE OUTLINES:



Item	Materials
Package	Heat-Resistant Polymer
Encapsulating Resin	Silicone
Electrodes	Ag Plating Copper Alloy

NOTES:

1. All dimensions are in millimeters (inches);
2. Electrical Connection between all Cathodes is Recommended



American Opto Plus LED Corp.

L955T-WMC-Z

3.5 x 2.8 x 0.7mm PLCC-2

MAIN FEATURES:

- Low current requirement
- Wide viewing angle
- IR Reflow Soldering
- I.C. compatible

ABSOLUTE MAXIMUM RATINGS

(Ta=25°C)

Item	Symbol	Max Rating	Unit
DC Forward Current	I_F	150	mA
Peak Pulsed Forward Current	I_{FP}	200	mA
Reverse Voltage	V_R	-----	V
Junction Temperature	T_j	125	°C
Junction /Solder Point	$R_{th J_s}$	183	°C/W
Junction / Ambient	$R_{th J_a}$	200	°C/W
Power Dissipation	P_d	570	mW
Operating Temperature Range	T_{OPR}	-30 ~ +100	°C
Storage Temperature	T_{STG}	-40 ~ +100	°C
Solder Temperature	T_{SOL}	265°C for 10 sec	

IFP Conditions: Pulse Width ≤ 10msec and Duty ≤ 1/10

$R_{th J_a}$ Results from mounting on PC Board FR4 (PCB size 16*10mm)

OPTICAL-ELECTRICAL CHARACTERISTICS

(Ta=25°C)

Parameter	Symbol	Test Condition	Min	Typ	Max	Unit
Forward Voltage	V_F	$I_F = 100mA$	-	3.2	3.8	V
Luminous Flux	Φ_V	$I_F = 100mA$	23	28	--	lm
Chromaticity Coordinate	X	$I_F = 100mA$	--	0.41	--	--
Chromaticity Coordinate	Y	$I_F = 100mA$	--	0.39	--	--

Notes: Luminous intensity tolerance is ±10%



American Opto Plus LED Corp.

L955T-WMC-Z

3.5 x 2.8 x 0.7mm PLCC-2

MAIN FEATURES:

- Low current requirement
- Wide viewing angle
- IR Reflow Soldering
- I.C. compatible

LUMINOUS INTENSITY BIN TABLE

IF=100mA

Rank Name	Min (lm)	Max (lm)
1	23	26
2	26	29
3	29	32
4	32	34
5	34	37

Tolerance for each bin is $\pm 10\%$

VOLTAGE BIN TABLE

Rank Name	Min (V)	Max (V)
A	2.9	3.0
B	3.0	3.1
C	3.1	3.2
D	3.2	3.3
E	3.3	3.4
F	3.4	3.5
G	3.5	3.6
H	3.6	3.7
J	3.7	3.8

Tolerance for each bin is $\pm 0.5V$



American Opto Plus LED Corp.

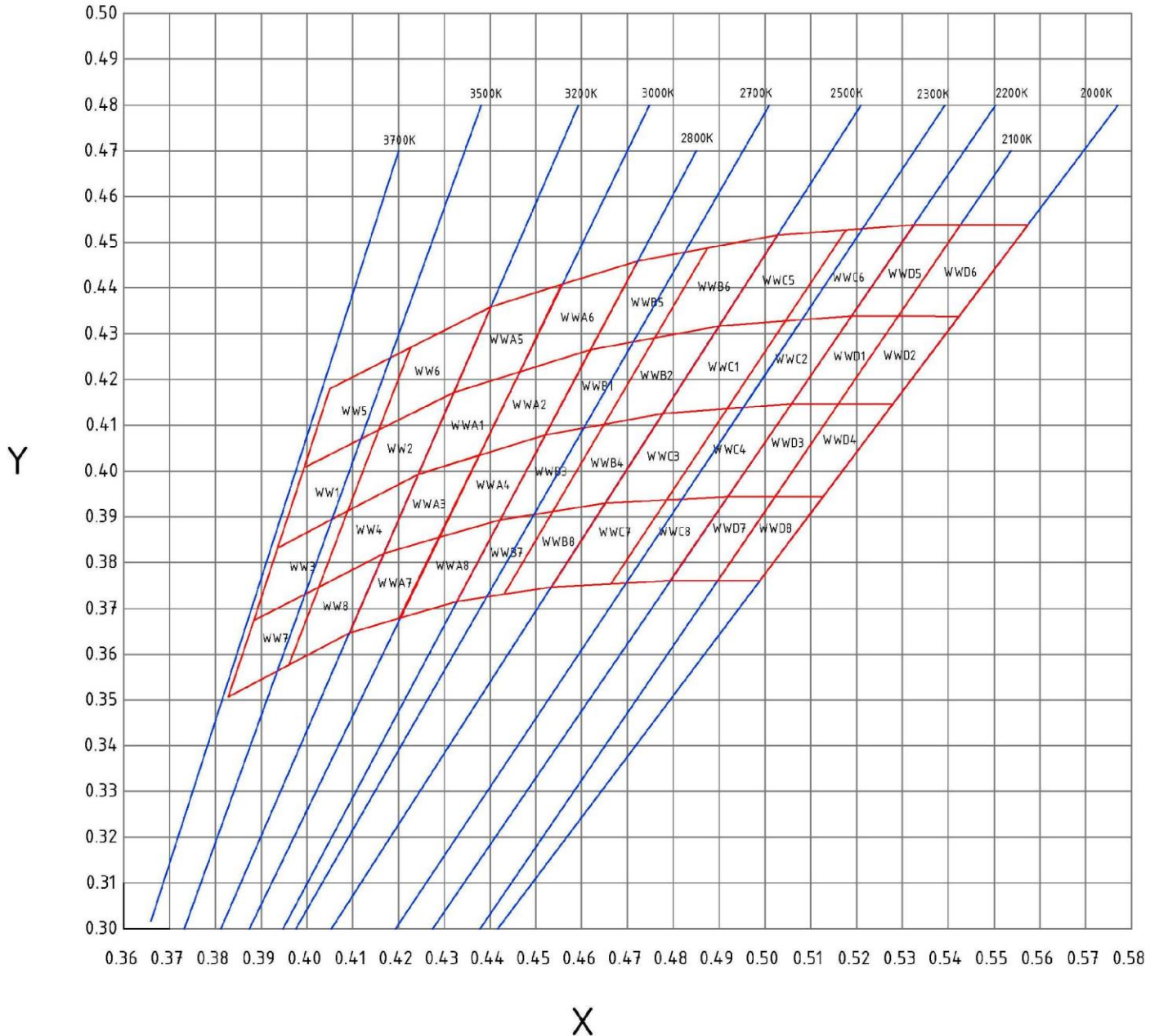
L955T-WMC-Z

3.5 x 2.8 x 0.7mm PLCC-2

MAIN FEATURES:

- Low current requirement
- Wide viewing angle
- IR Reflow Soldering
- I.C. compatible

CHROMATICITY DIAGRAM





American Opto Plus LED Corp.
L955T-WMC-Z
3.5 x 2.8 x 0.7mm PLCC-2

MAIN FEATURES:

- Low current requirement
- Wide viewing angle
- IR Reflow Soldering
- I.C. compatible

COLOR RANKS

BIN WW1					Bin WW2				
x	0.39360	0.39940	0.41570	0.40890	x	0.40890	0.41570	0.43210	0.42430
y	0.38320	0.40080	0.40900	0.39130	y	0.39130	0.40900	0.41720	0.39930
BIN WW3					Bin WW4				
x	0.38840	0.39360	0.40890	0.40260	x	0.40260	0.40890	0.42430	0.41680
y	0.36740	0.38320	0.39130	0.37470	y	0.37470	0.39130	0.39930	0.38200
BIN WW5					Bin WW6				
x	0.39940	0.40500	0.42260	0.41570	x	0.41570	0.42260	0.44020	0.43210
y	0.40080	0.41800	0.42700	0.40900	y	0.40900	0.42700	0.43590	0.41720
BIN WW7					Bin WW8				
x	0.38280	0.38840	0.40260	0.39600	x	0.39600	0.40260	0.41680	0.40930
y	0.35070	0.36740	0.37470	0.35770	y	0.35770	0.37470	0.38200	0.36470
BIN WWA1					Bin WWA2				
x	0.42430	0.43210	0.44650	0.43760	x	0.43760	0.44650	0.46190	0.45200
y	0.39930	0.41720	0.42170	0.40340	y	0.40340	0.42170	0.42650	0.40790
BIN WWA3					Bin WWA4				
x	0.41680	0.42430	0.43760	0.42880	x	0.42880	0.43760	0.45200	0.44220
y	0.38200	0.39930	0.40350	0.38550	y	0.38550	0.40350	0.40790	0.38940
BIN WWA5					Bin WWA6				
x	0.43210	0.44020	0.45560	0.44650	x	0.45560	0.44650	0.46190	0.47220
y	0.41720	0.43590	0.44080	0.42170	y	0.44080	0.42170	0.42650	0.44590
BIN WWA7					Bin WWA8				
x	0.40930	0.41680	0.42880	0.42020	x	0.42020	0.42880	0.44220	0.43270
y	0.36470	0.38200	0.38550	0.36790	y	0.36790	0.38550	0.38940	0.37150
BIN WWB1					Bin WWB2				
x	0.45200	0.46190	0.47595	0.46485	x	0.46485	0.47595	0.49000	0.47770
y	0.40790	0.42650	0.42910	0.41025	y	0.41025	0.42910	0.43170	0.41260
BIN WWB3					Bin WWB4				
x	0.44220	0.45200	0.46485	0.45365	x	0.45365	0.46485	0.47770	0.46510
y	0.38940	0.40790	0.41025	0.39120	y	0.39120	0.41025	0.41260	0.39300
BIN WWB5					Bin WWB6				
x	0.46190	0.47220	0.48750	0.47595	x	0.47595	0.48750	0.50280	0.49000
y	0.42650	0.44590	0.44875	0.42910	y	0.42910	0.44875	0.45160	0.43170



American Opto Plus LED Corp.

L955T-WMC-Z

3.5 x 2.8 x 0.7mm PLCC-2

MAIN FEATURES:

- Low current requirement
- Wide viewing angle
- IR Reflow Soldering
- I.C. compatible

BIN WWB7					Bin WWB8				
x	0.43270	0.44220	0.45365	0.44305	x	0.44305	0.45365	0.46510	0.45340
y	0.37150	0.38940	0.39120	0.37310	y	0.37310	0.39120	0.39300	0.37470
BIN WWC1					Bin WWC2				
x	0.47770	0.49000	0.50445	0.49175	x	0.49175	0.50445	0.51890	0.50580
y	0.41260	0.43170	0.43280	0.41365	y	0.41365	0.43280	0.43390	0.41470
BIN WWC3					Bin WWC4				
x	0.46510	0.47770	0.49175	0.47850	x	0.47850	0.49175	0.50580	0.49190
y	0.39300	0.41260	0.41365	0.39370	y	0.39370	0.41365	0.41470	0.39440
BIN WWC5					Bin WWC6				
x	0.49000	0.50280	0.51770	0.50445	x	0.50445	0.51770	0.53260	0.51890
y	0.43170	0.45160	0.45270	0.43280	y	0.43280	0.45270	0.45380	0.43390
WWC7					WWC8				
x	0.45340	0.46510	0.47850	0.46635	x	0.46635	0.47850	0.49190	0.47930
y	0.37470	0.39300	0.39370	0.37540	y	0.37540	0.39370	0.39440	0.37610
WWD1					WWD2				
x	0.50580	0.51890	0.52910	0.51600	x	0.51600	0.52910	0.54240	0.52800
y	0.41470	0.43390	0.43390	0.41470	y	0.41470	0.43390	0.43380	0.41470
WWD3					WWD4				
x	0.49190	0.50580	0.51600	0.50220	x	0.50220	0.51600	0.52790	0.51270
y	0.39440	0.41470	0.41470	0.39440	y	0.39440	0.41470	0.41470	0.39440
WWD5					WWD6				
x	0.51890	0.53260	0.54270	0.52910	x	0.52910	0.54270	0.55740	0.54240
y	0.43390	0.45380	0.45380	0.43390	y	0.43390	0.45380	0.45380	0.43380
WWD7					WWD8				
x	0.47930	0.49190	0.50220	0.48970	x	0.48970	0.50220	0.51270	0.49890
y	0.37610	0.39440	0.39440	0.37610	y	0.37610	0.39440	0.39440	0.37610

- One delivery will include several color ranks and Iv ranks of products,
The quantity-ratio of the different ranks is decided by AOP.
- Color Coordinates Measurement Allowances is ± 0.01



American Opto Plus LED Corp.

L955T-WMC-Z

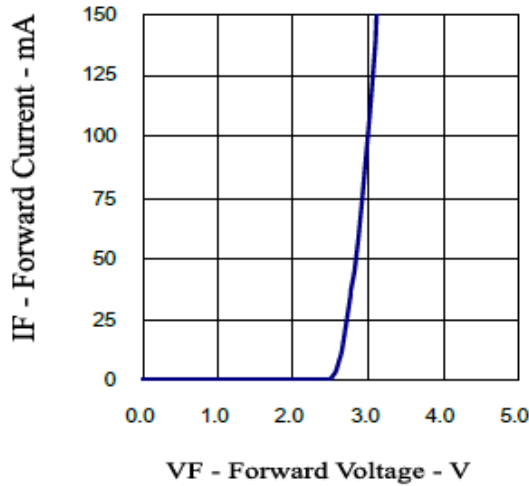
3.5 x 2.8 x 0.7mm PLCC-2

MAIN FEATURES:

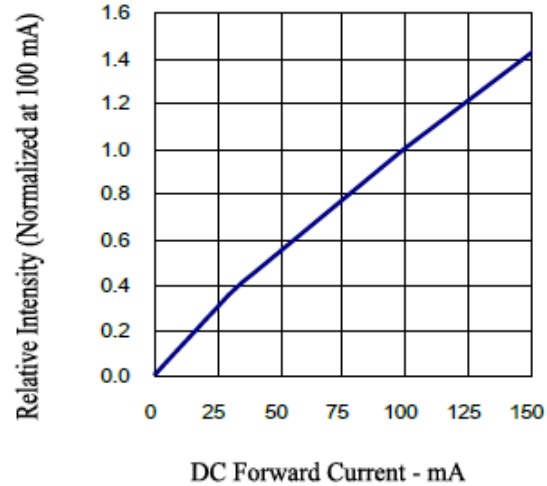
- Low current requirement
- Wide viewing angle
- IR Reflow Soldering
- I.C. compatible

OPTICAL CHARACTERISTIC CURVES

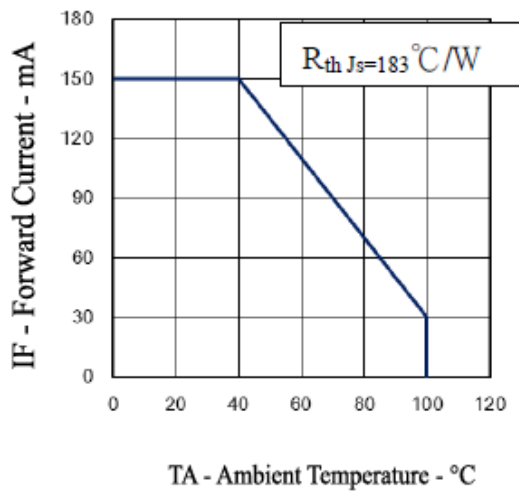
Forward Current vs. Forward Voltage



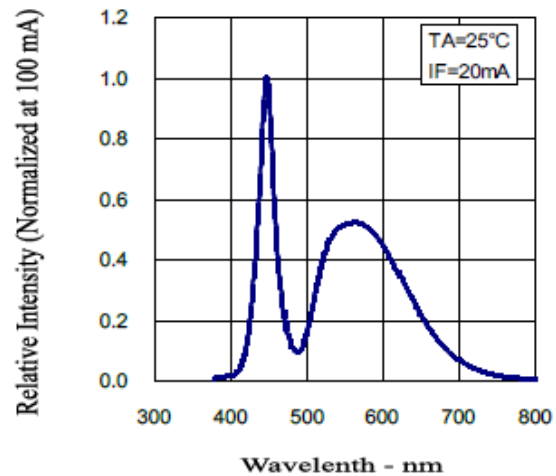
Relative Intensity vs. Forward Current



Forward Current vs. Ambient Temperature



Relative Intensity vs. Wavelength





American Opto Plus LED Corp.

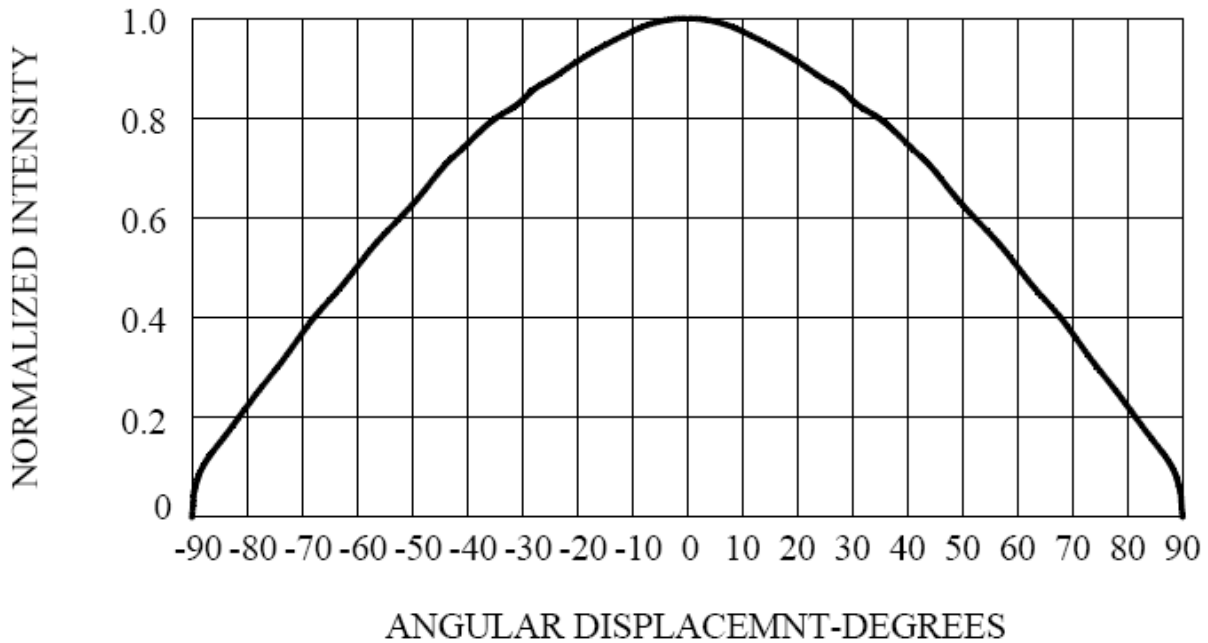
L955T-WMC-Z

3.5 x 2.8 x 0.7mm PLCC-2

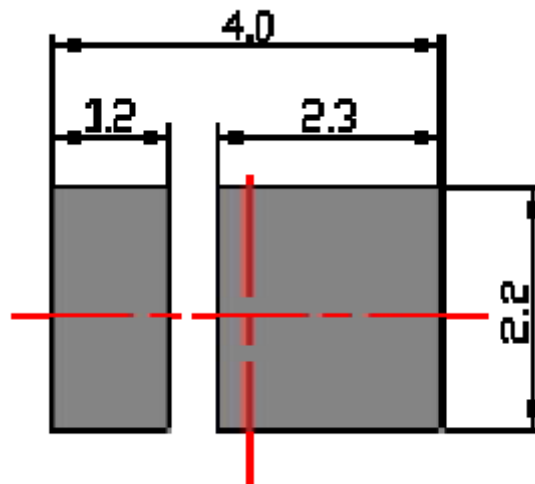
MAIN FEATURES:

- Low current requirement
- Wide viewing angle
- IR Reflow Soldering
- I.C. compatible

RADIATION PATTERN



Recommended Soldering Pad Pattern





American Opto Plus LED Corp.

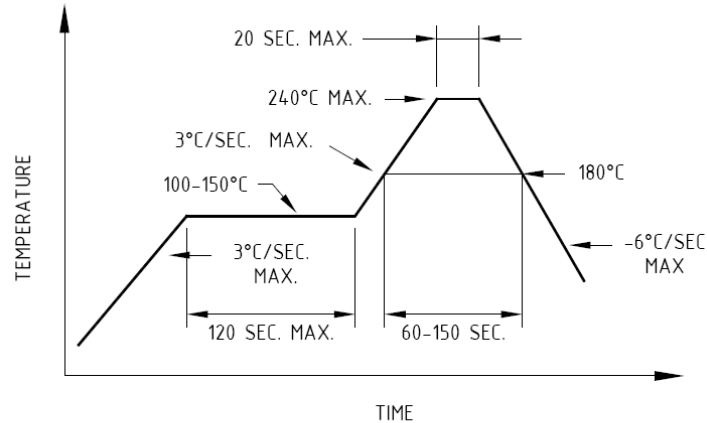
L955T-WMC-Z

3.5 x 2.8 x 0.7mm PLCC-2

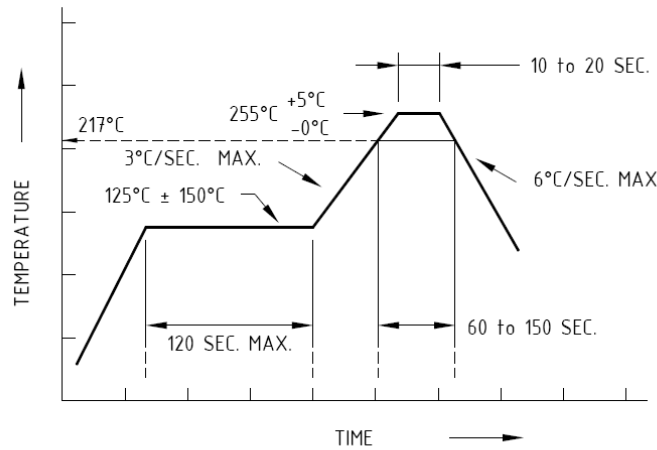
MAIN FEATURES:

- Low current requirement
- Wide viewing angle
- IR Reflow Soldering
- I.C. compatible

SOLDERING CONDITIONS:



Recommended reflow soldering profile



Recommended Pb-free reflow soldering profile

- Repairing should not be done after the LEDs have been soldered. When repairing is unavoidable, a double-head soldering iron should be used. It should be confirmed beforehand whether the characteristics of the LEDs will or will not be damaged by repairing.
- Reflow soldering should not be done more than two times.
- When soldering, do not put stress on the LEDs during heating.
- After soldering, do not warp the circuit board.



American Opto Plus LED Corp.

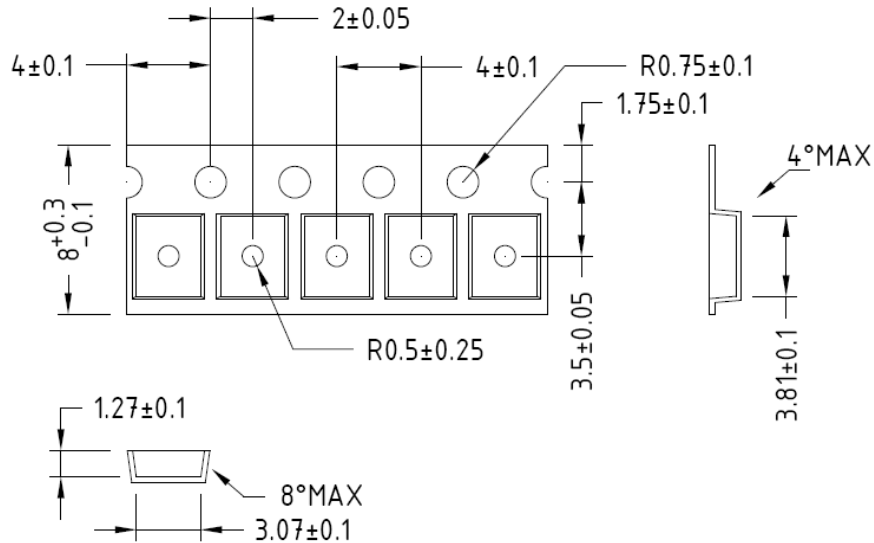
L955T-WMC-Z

3.5 x 2.8 x 0.7mm PLCC-2

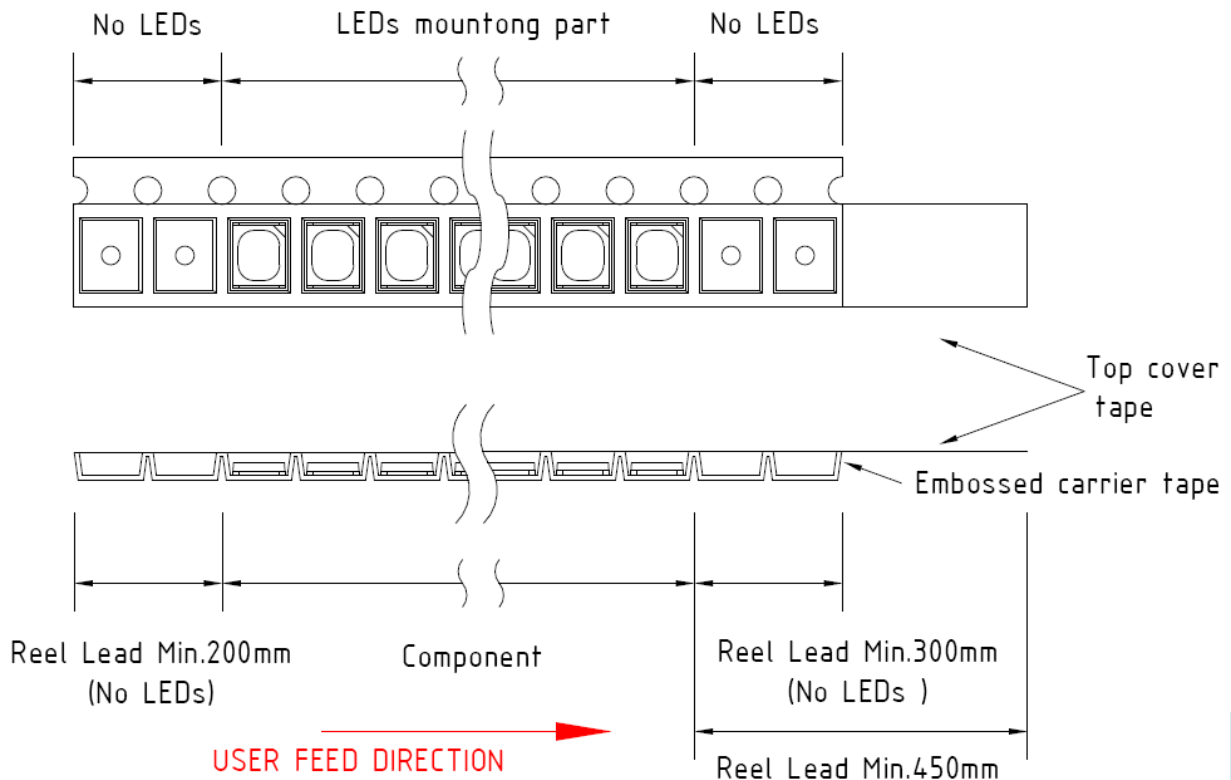
MAIN FEATURES:

- Low current requirement
- Wide viewing angle
- IR Reflow Soldering
- I.C. compatible

TAPE DIMENSIONS



TAPE LEADER AND TRAILER DIMENSION





American Opto Plus LED Corp.

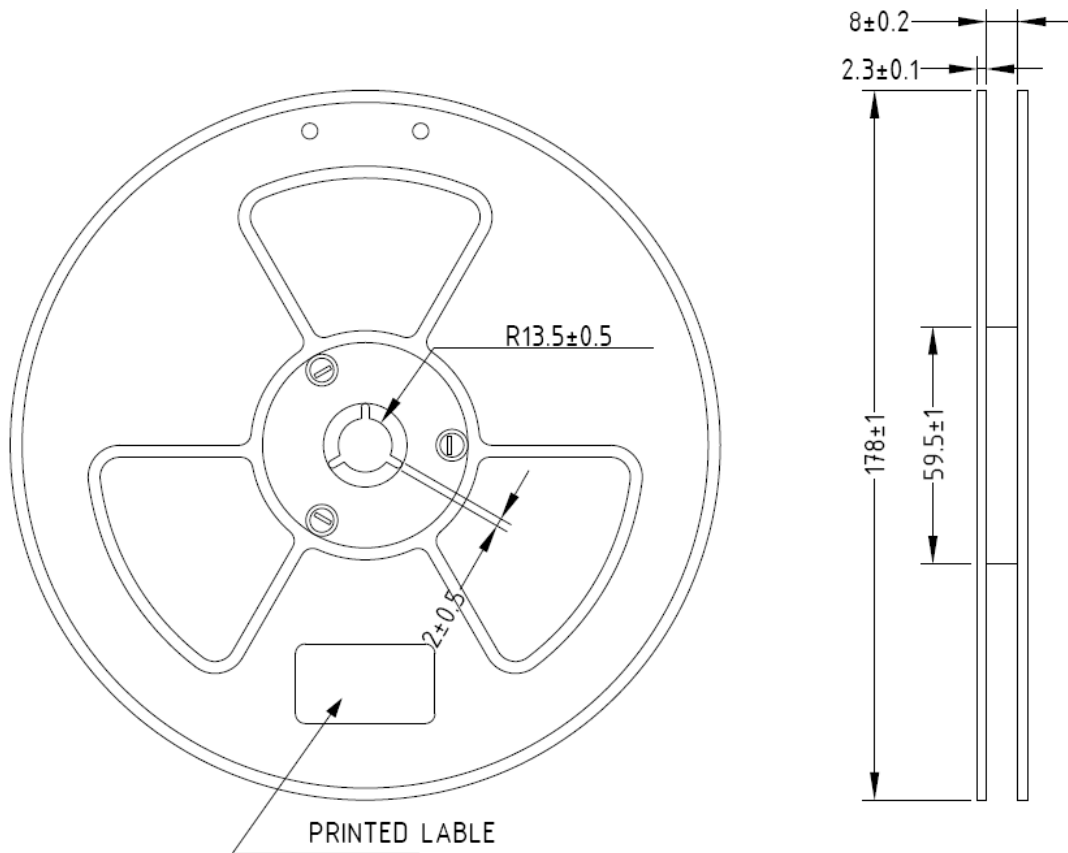
L955T-WMC-Z

3.5 x 2.8 x 0.7mm PLCC-2

MAIN FEATURES:

- Low current requirement
- Wide viewing angle
- IR Reflow Soldering
- I.C. compatible

REEL DIMENSION



Note: Baking is required under the following conditions:

The pack has been open for more than four weeks.

Baking recommended conditions.

60 ± 5 °C for 20 hours.