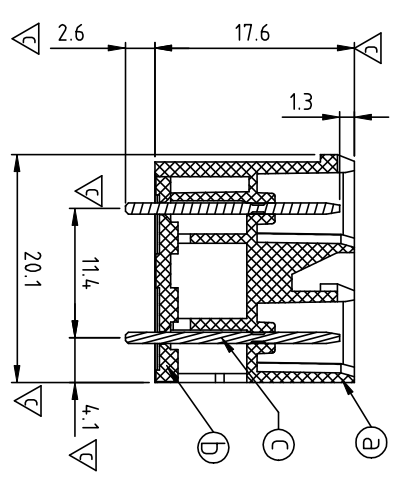
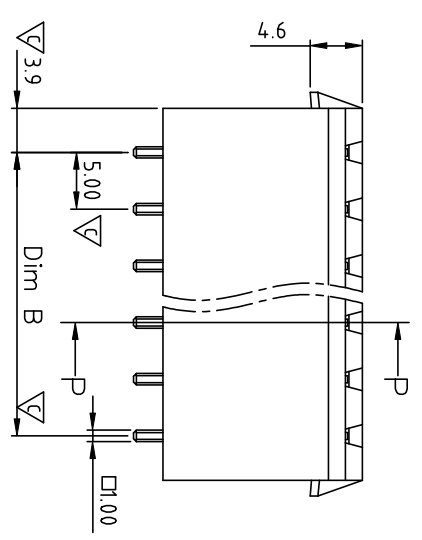
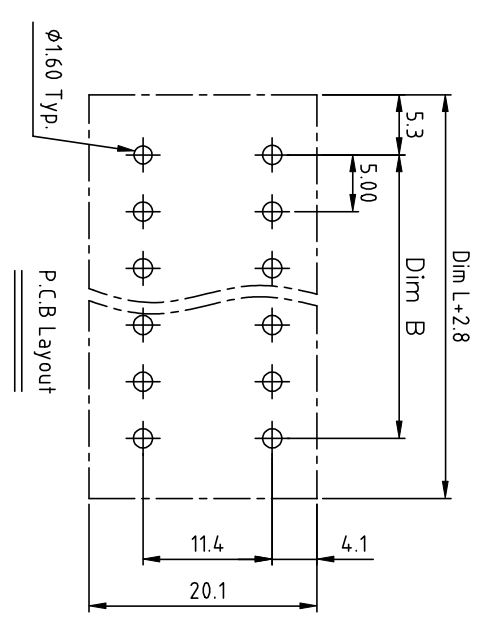
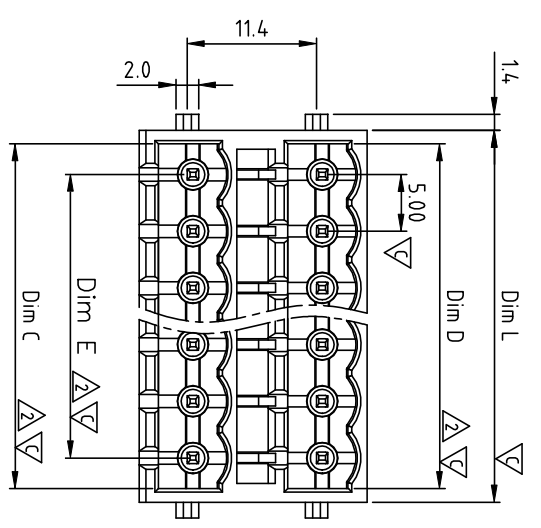


SIGN	DATE	DESCRIPTION	APPROVER
△	03/29/12	Add is cULus	Chen Bo
△	03/29/12	The dimension C & D & E are added	Chen Bo

THIS IS CAD DRAWING, DO NOT REVISE MANUALLY!!!!



- Material:**
- Item a Terminal(housing): Thermoplastic (UL 94V-0)
  - Item b Terminal(cover): Thermoplastic (UL 94V-0)
  - Item c Male contact pin : Copper Tin plated
- Electrical:**
- Voltage rating: cULus 300V
  - Current rating: 12A
  - Withstanding Voltage: 16KV
  - Operating temperature: -40°C to +115°C
  - Soldering temperature: 250°C±10°C/5 Sec
  - Safety Approval: **ULus**
  - Critical dimension: **△**

- KE XX 7 3 X 2 XXXX G**
- No. OF POLES
- 04: 2x2 POLES
  - 06: 2x3 POLES
  - ...
  - 48: 2x24 POLES
- COLOR**
- 0 Black (RAL 9005)
  - 2 Red (RAL 3001/D)
  - 3 Orange(RAL2011/P)
  - 4 Yellow(RAL 1018/A)
  - 5 Green(RAL6018/T)
  - 6 Blue (RAL5015/A)
  - 8 Grey(RAL 7035/D)
  - 9 White(RAL 1102)
  - C Green(RAL 6018/U)
- 0000: "@ " Logo (Standard)  
000A: "ANYTEK" Mark
- Any special item by customer request. please contact sales department.
- RoHS compliant (lead<4%)  
In copper Alloy

N = Number of poles  
 Dim L=Nx5.0+2.8  
 Dim B=(N-1)x5.0  
 Dim C=(N-1)x5.0+5.4  
 Dim D=(N-1)x5.0+5.4  
 Dim E=(N-1)x5.0

Poles	Dim L	Dim B	Dim C	Dim D	Dim E
2x2-2x6p	±0.15	±0.15	+0.05 -0.05	+0.05 ±0.15	±0.15
2x7-2x12p	±0.25	±0.25	+0.10 -0.05	+0.10 ±0.25	±0.25
2x13-2x18p	±0.35	±0.35	+0.20 -0.05	+0.20 ±0.35	±0.35
2x19-2x24p	±0.40	±0.40	+0.25 -0.10	+0.25 ±0.40	±0.40

# ANYTEK

## CUSTOMER COPY

ALL RIGHTS RESERVED. REPRODUCTION OR ISSUE TO THIRD PARTIES IN ANY FORM WHATSOEVER IS NOT PERMITTED WITHOUT WRITTEN AUTHORITY FROM THE PROPRIETOR. PROPERTY OF ANYTEK TECHNOLOGY CO., LTD.

TITLE	KE 5.0mm With latch holder Series 2x2P-2x24P (180°-Vertical) DIP type		DWG NO.	8KE0105		Tolerance
PART NO.	KExx73x2xxxxG		CUST. NO.			X.X X.X X.XX ±0.50 ±0.30 ±0.10 ±1°
APPROVED	CHECKED	DESIGNED	DRAWN	SHEET: 01/01		REV.: C
	Chen Bo 04/14/12	Chen Bo 04/14/12				