

# AD Circuit

TITLE: TI\_Demo50

Document Number:

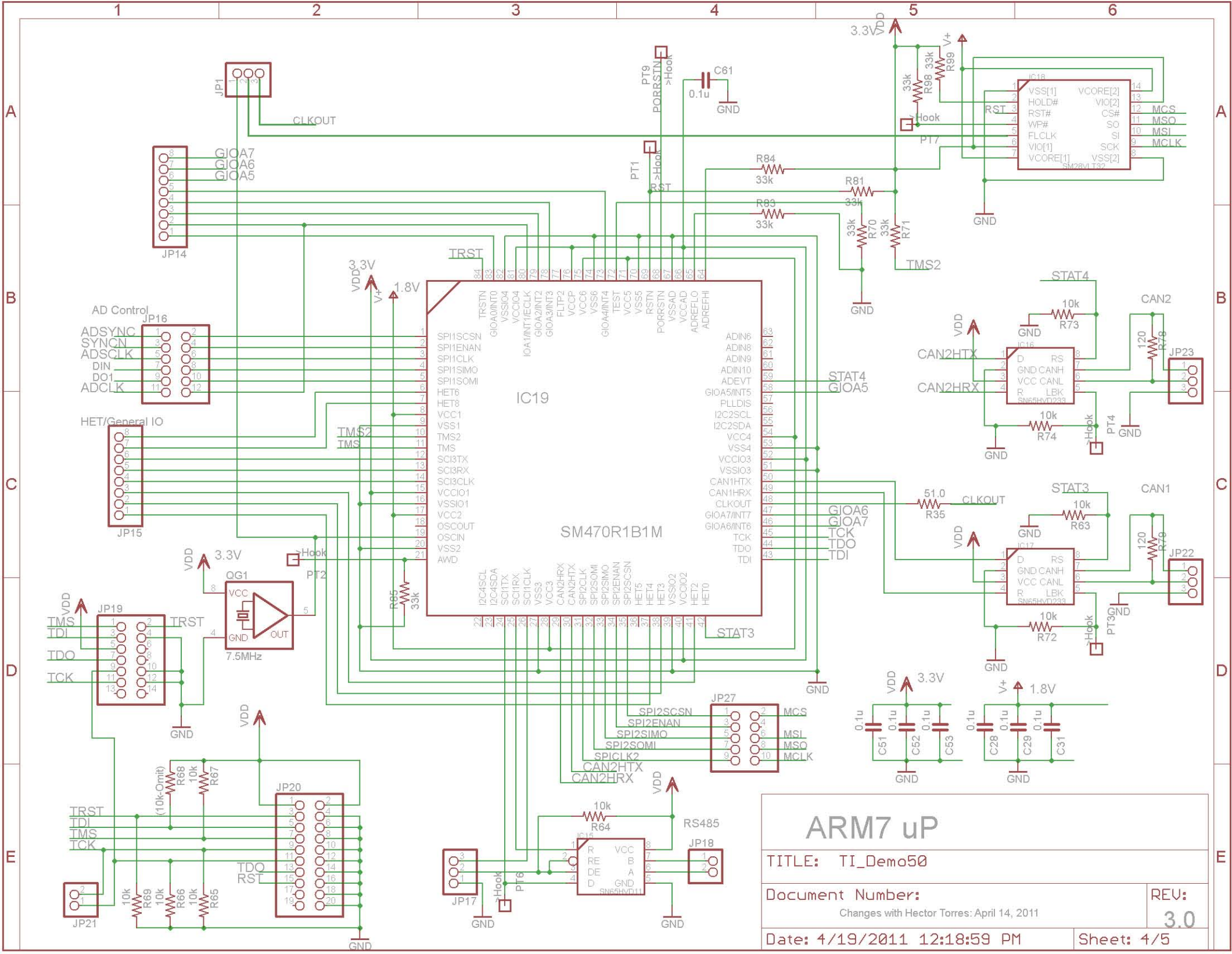
Changes with Hector Torres: April 14, 2011

REV:

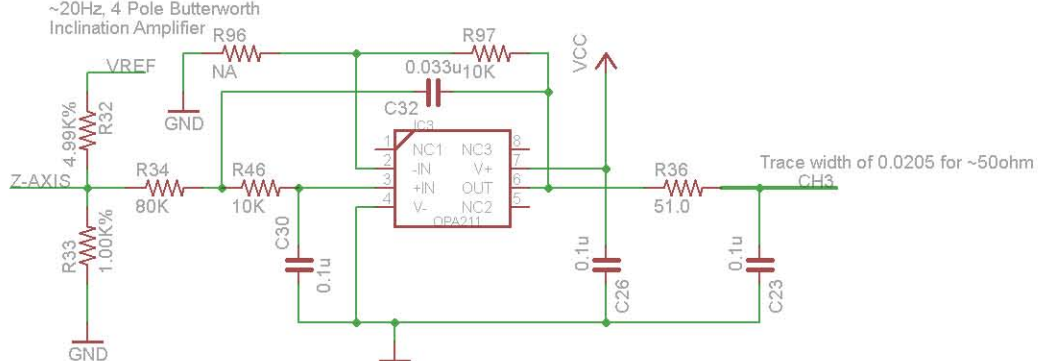
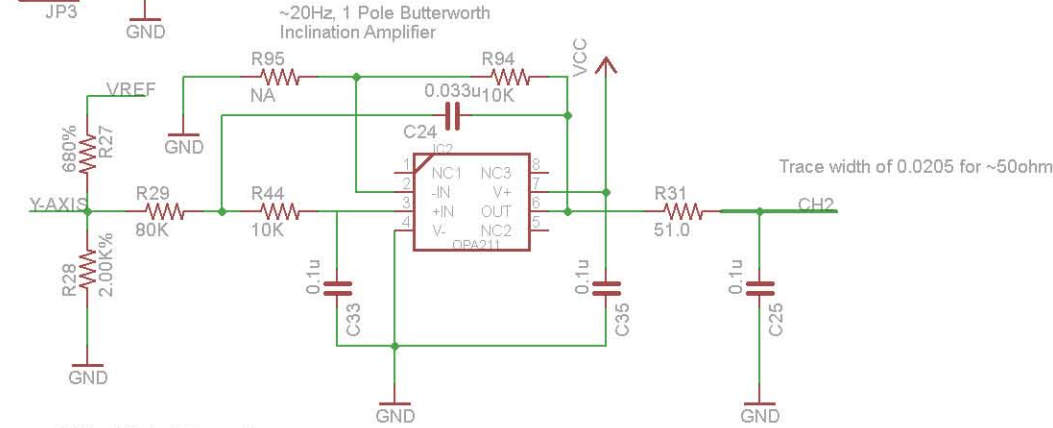
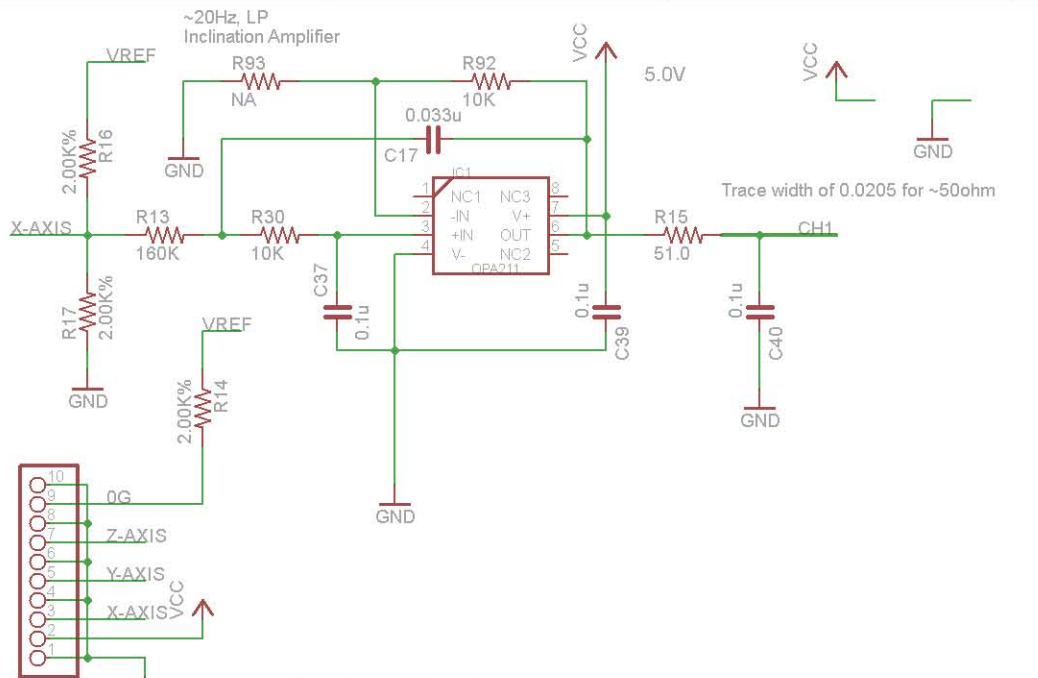
3.0

Date: 4/19/2011 12:18:59 PM

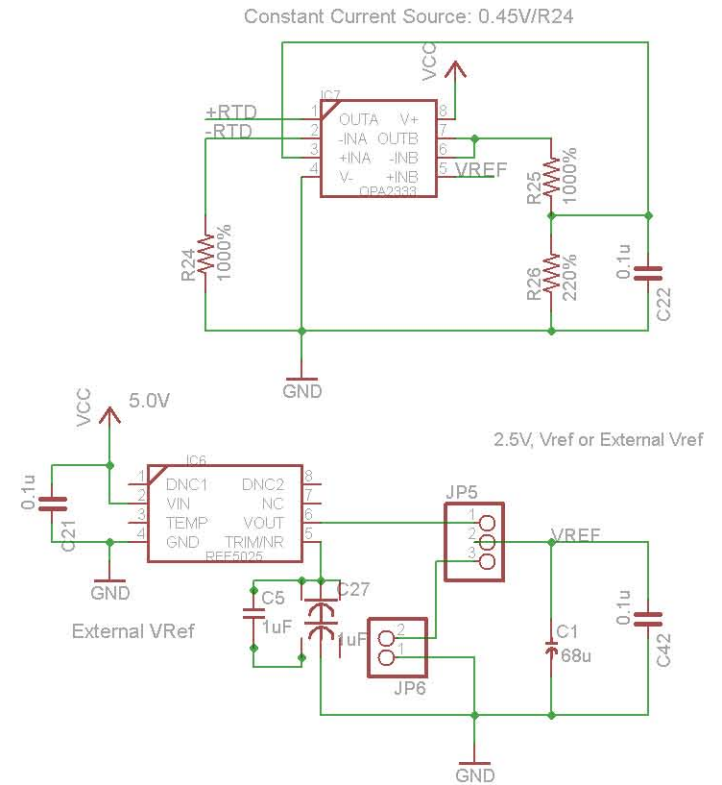
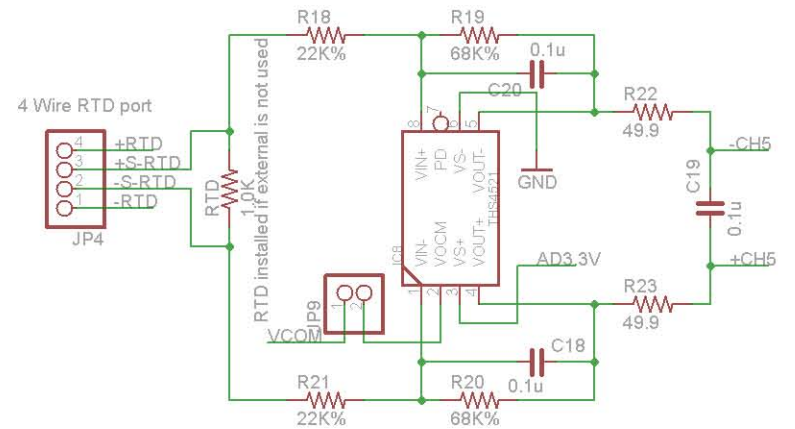
Sheet: 3/5



<h1>ARM7 uP</h1>	
TITLE: TI_Demo50	
Document Number:	
Changes with Hector Torres: April 14, 2011	
Date: 4/19/2011 12:18:59 PM	REV: 3.0
Sheet: 4/5	



NOTE: Missing ground wire on pin 4 of IC3



## Analog Inputs

TITLE: TI\_Demo50

Document Number:

Changes with Hector Torres: April 14, 2011

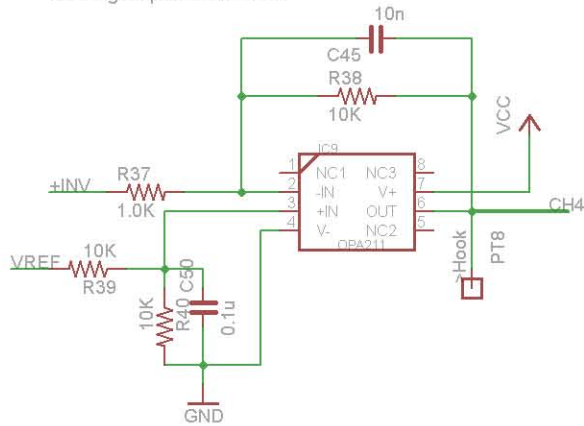
REV:

3.0

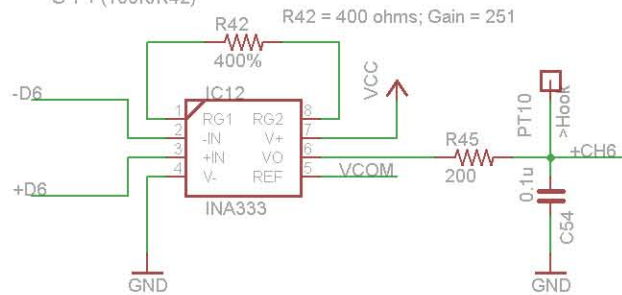
Date: 4/19/2011 12:18:59 PM

Sheet: 1/5

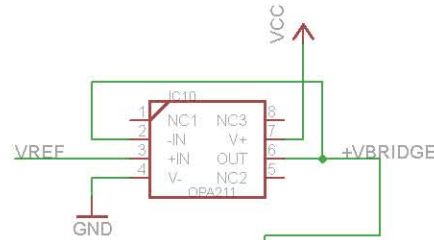
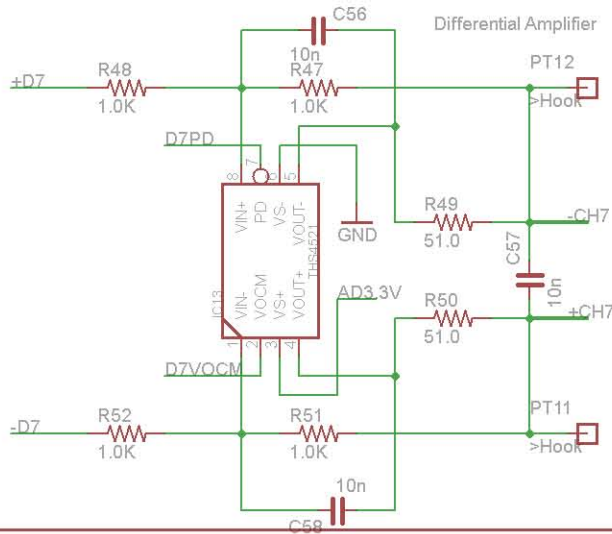
Inverting Amplifier with offset



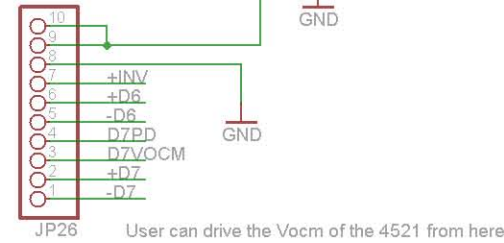
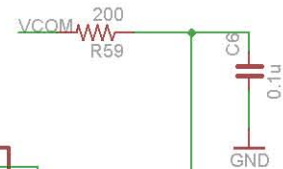
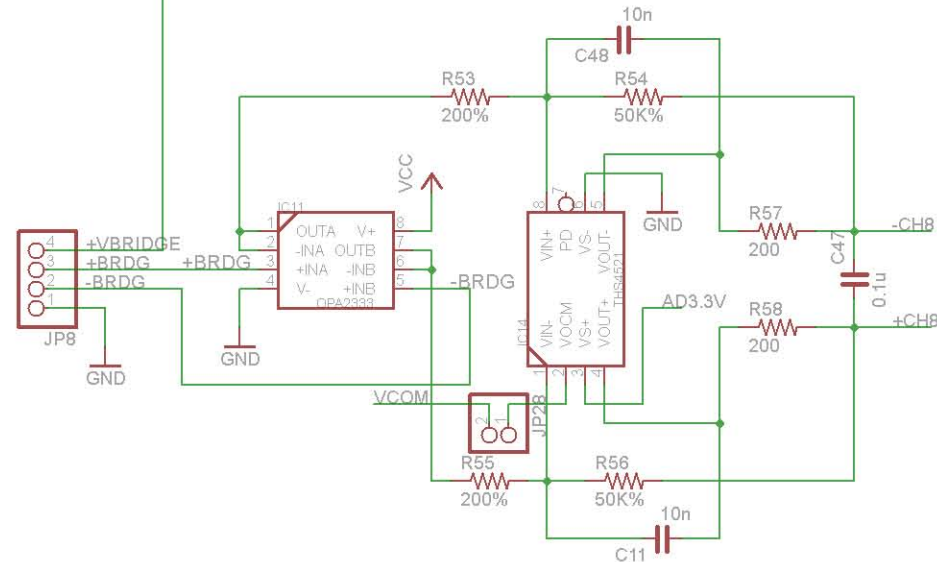
Instrumentation Amplifier  
G 1 + (100K/R42)



Differential Amplifier



High Impedance Bridge Amplifier, gain of ~251



## Extra Analog Inputs

TITLE: TI\_Demo50

Document Number:

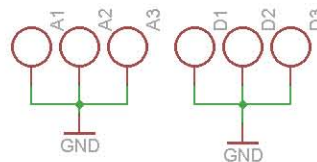
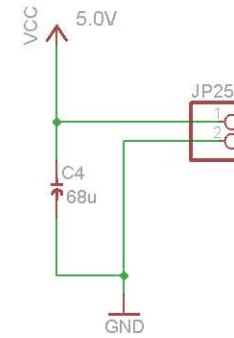
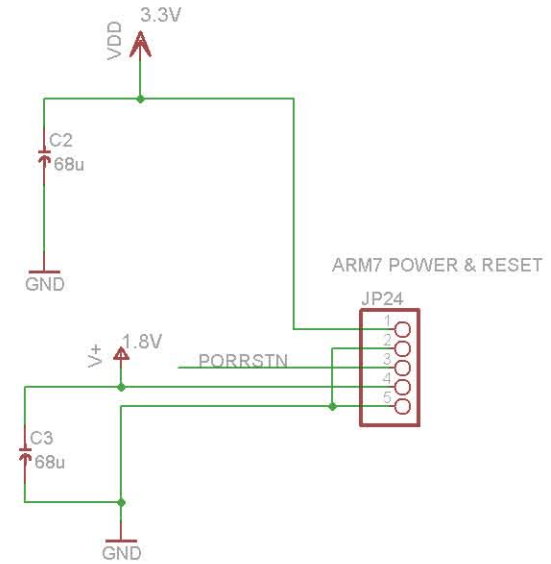
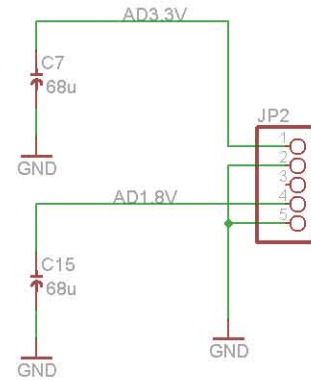
Changes with Hector Torres: April 14, 2011

REV:

3.0

Date: 4/19/2011 12:18:59 PM

Sheet: 2/5



# Power to the Board

TITLE: TI\_Demo50

Document Number:

Changes with Hector Torres: April 14, 2011

REV:  
3.0

Date: 4/19/2011 12:18:59 PM

Sheet: 5/5